



Chipsmall Limited consists of a professional team with an average of over 10 year of expertise in the distribution of electronic components. Based in Hongkong, we have already established firm and mutual-benefit business relationships with customers from,Europe,America and south Asia,supplying obsolete and hard-to-find components to meet their specific needs.

With the principle of “Quality Parts,Customers Priority,Honest Operation,and Considerate Service”,our business mainly focus on the distribution of electronic components. Line cards we deal with include Microchip,ALPS,ROHM,Xilinx,Pulse,ON,Everlight and Freescale. Main products comprise IC,Modules,Potentiometer,IC Socket,Relay,Connector.Our parts cover such applications as commercial,industrial, and automotives areas.

We are looking forward to setting up business relationship with you and hope to provide you with the best service and solution. Let us make a better world for our industry!



Contact us

Tel: +86-755-8981 8866 Fax: +86-755-8427 6832

Email & Skype: info@chipsmall.com Web: www.chipsmall.com

Address: A1208, Overseas Decoration Building, #122 Zhenhua RD., Futian, Shenzhen, China



Customer Information Sheet

DRAWING No.: S70-332002045R

SHEET 2 OF 2

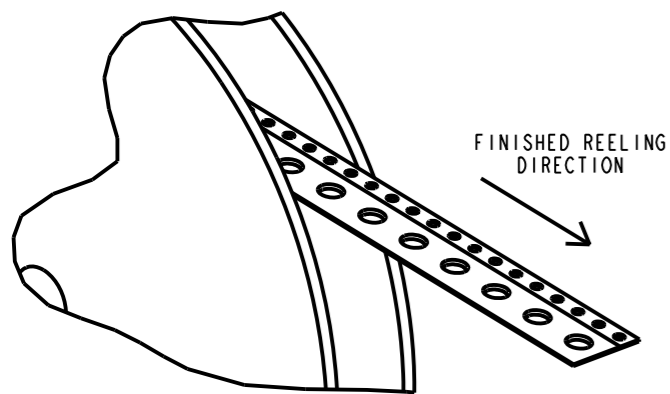
IF IN DOUBT - ASK

©

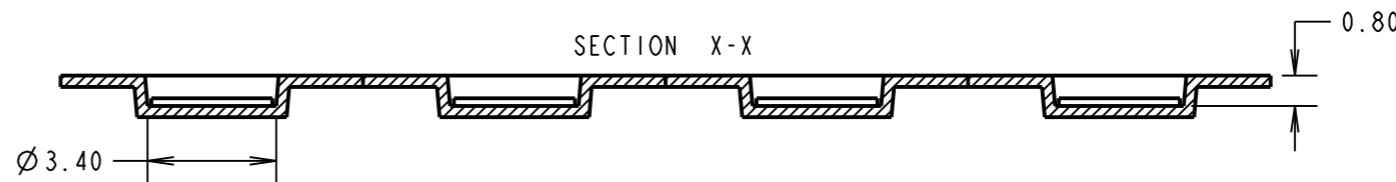
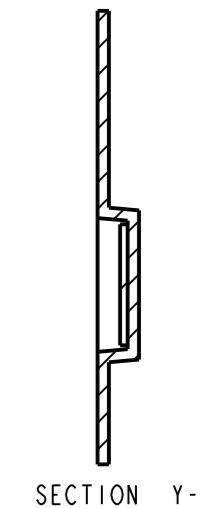
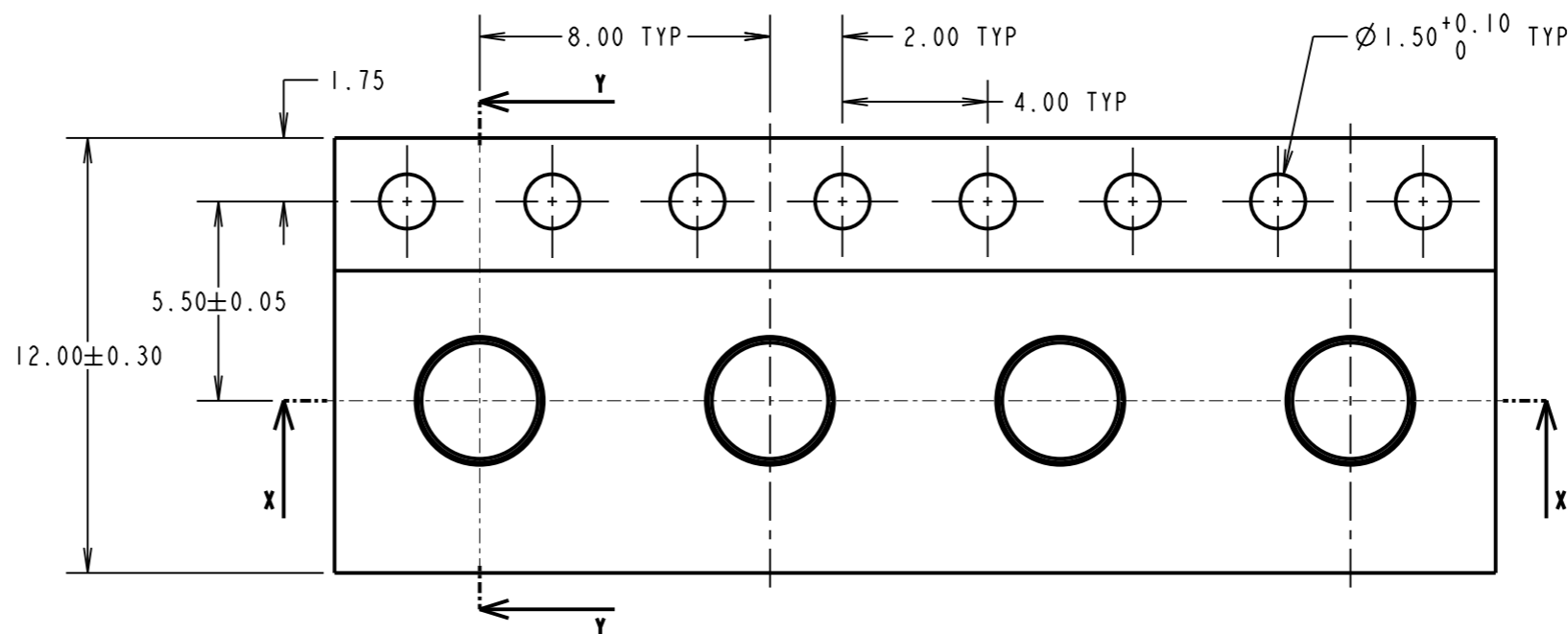
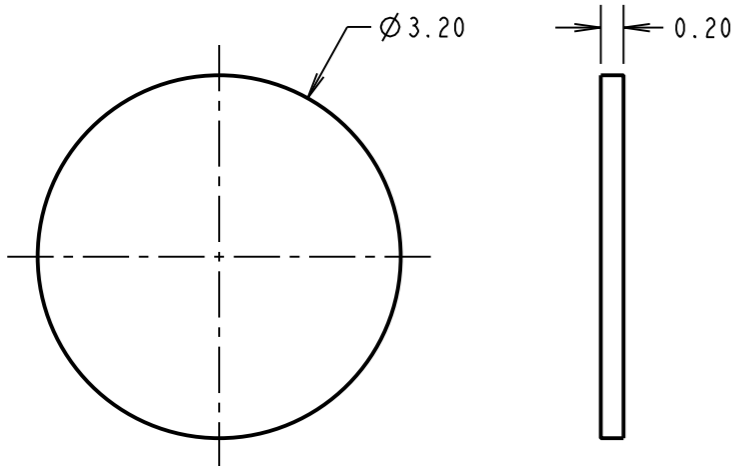
NOT TO SCALE

THIRD ANGLE PROJECTION

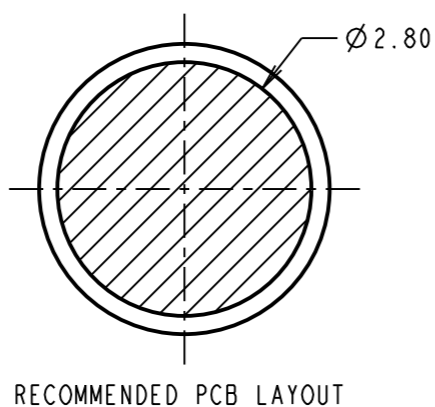
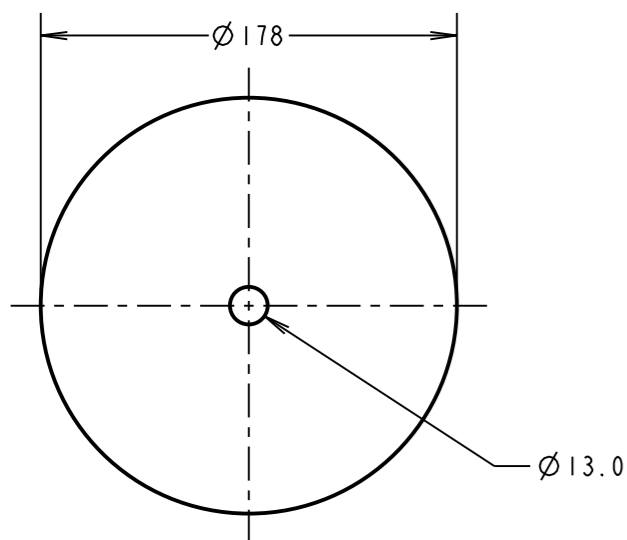
ALL DIMENSIONS IN mm



COMPONENT DETAILS



REEL DETAILS



SPECIFICATIONS:

FINISH:
0.025 μ - 0.075 μ GOLD OVER 1.5 μ - 3.0 μ NICKEL
ELECTRICAL:
CURRENT RATING = 0.5A
CONTACT RESISTANCE = 0.15m Ω MAX
ENVIRONMENTAL:
OPERATING TEMPERATURE = -40°C TO +85°C
PACKING:
QUANTITY: 2000 PER REEL

NOTES:

- QUANTITY OF COMPONENTS PER REEL = 2000.
- PRODUCT IS TAPE AND REELED IN GENERAL ACCORDANCE WITH EIA-481.

MSP	2	19.08.16	20041
NAME	ISS.	DATE	C/NOTE
APPROVED:		M.PERREN	
CHECKED:		S.BENNETT	
DRAWN:		M.PERREN	
CUSTOMER REF.:			
ASSEMBLY DRG:			

HARWIN

www.harwin.com
technical@harwin.com

THIS DRAWING AND ANY INFORMATION OR DESCRIPTIVE MATTER SET OUT HEREON ARE CONFIDENTIAL AND COPYRIGHT PROPERTY OF THE HARWIN GROUP AND MUST NOT BE DISCLOSED, LOANED, COPIED OR USED FOR MANUFACTURING, TENDERING OR FOR ANY OTHER PURPOSE WITHOUT THEIR WRITTEN PERMISSION.

TOLERANCES

X. = ±1mm
X.X = ±0.50mm
X.XX = ±0.10mm
X.XXX = ±0.01mm
ANGLES = ±5°
UNLESS STATED

MATERIAL:

BERYLLIUM COPPER

FINISH: SEE ABOVE

S/AREA: 18.1 mm²

TITLE:

SMT CIRCULAR CONTACT PAD

DRAWING NUMBER:

S70-332002045R

SHT
2 OF 2