



Chipsmall Limited consists of a professional team with an average of over 10 year of expertise in the distribution of electronic components. Based in Hongkong, we have already established firm and mutual-benefit business relationships with customers from,Europe,America and south Asia,supplying obsolete and hard-to-find components to meet their specific needs.

With the principle of “Quality Parts,Customers Priority,Honest Operation,and Considerate Service”,our business mainly focus on the distribution of electronic components. Line cards we deal with include Microchip,ALPS,ROHM,Xilinx,Pulse,ON,Everlight and Freescale. Main products comprise IC,Modules,Potentiometer,IC Socket,Relay,Connector.Our parts cover such applications as commercial,industrial, and automotives areas.

We are looking forward to setting up business relationship with you and hope to provide you with the best service and solution. Let us make a better world for our industry!



## Contact us

Tel: +86-755-8981 8866 Fax: +86-755-8427 6832

Email & Skype: info@chipsmall.com Web: www.chipsmall.com

Address: A1208, Overseas Decoration Building, #122 Zhenhua RD., Futian, Shenzhen, China



# Customer Information Sheet

DRAWING No.: S7091-42R

SHEET 2 OF 2

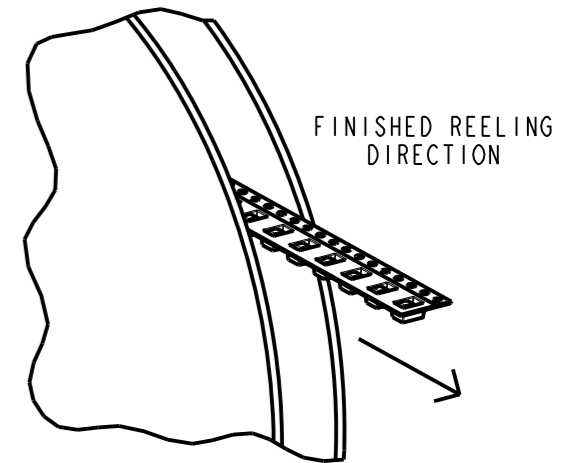
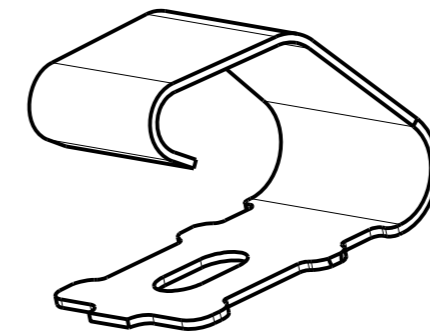
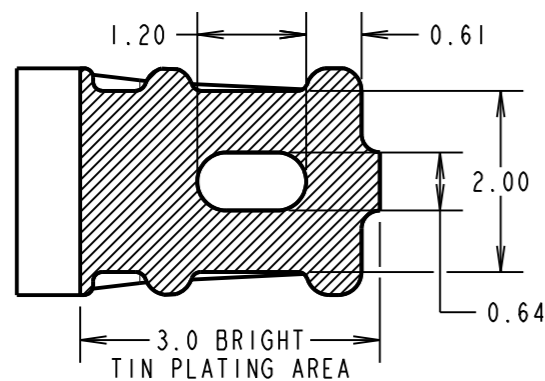
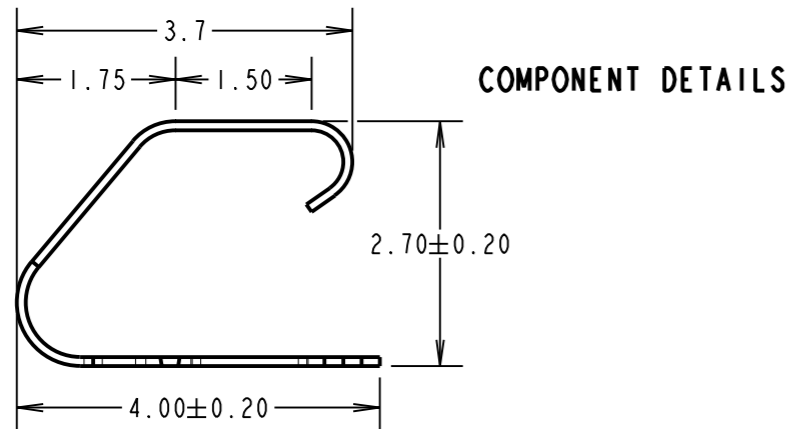
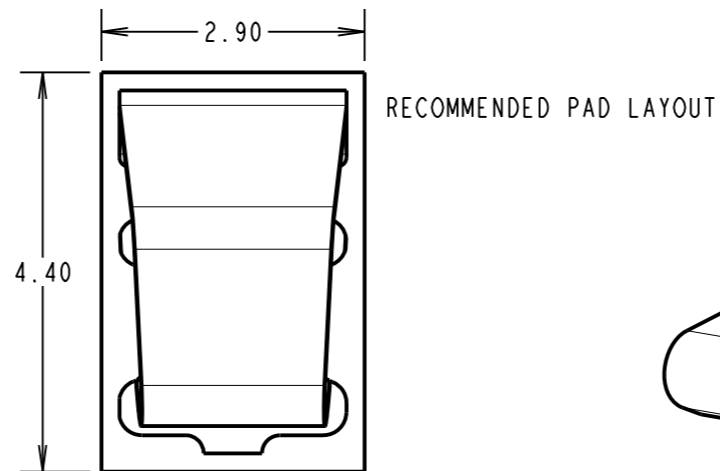
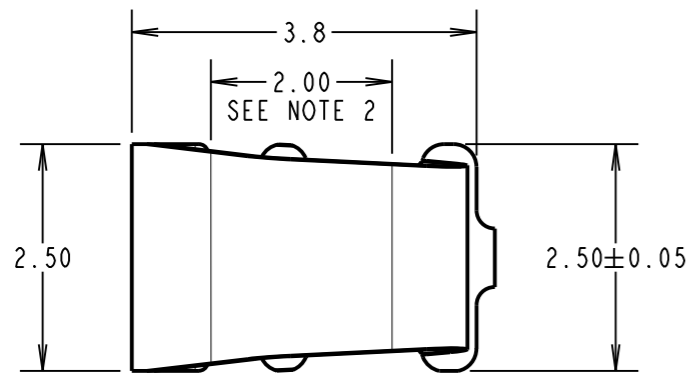
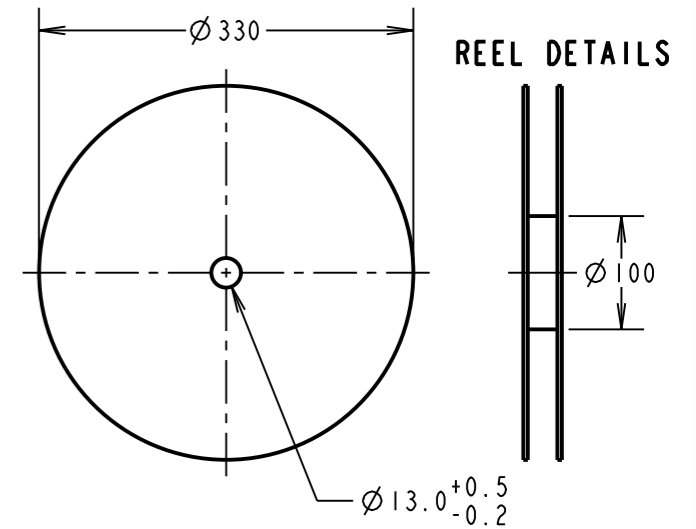
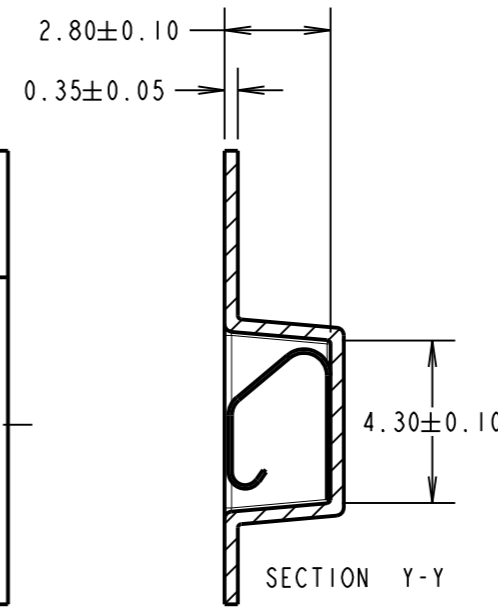
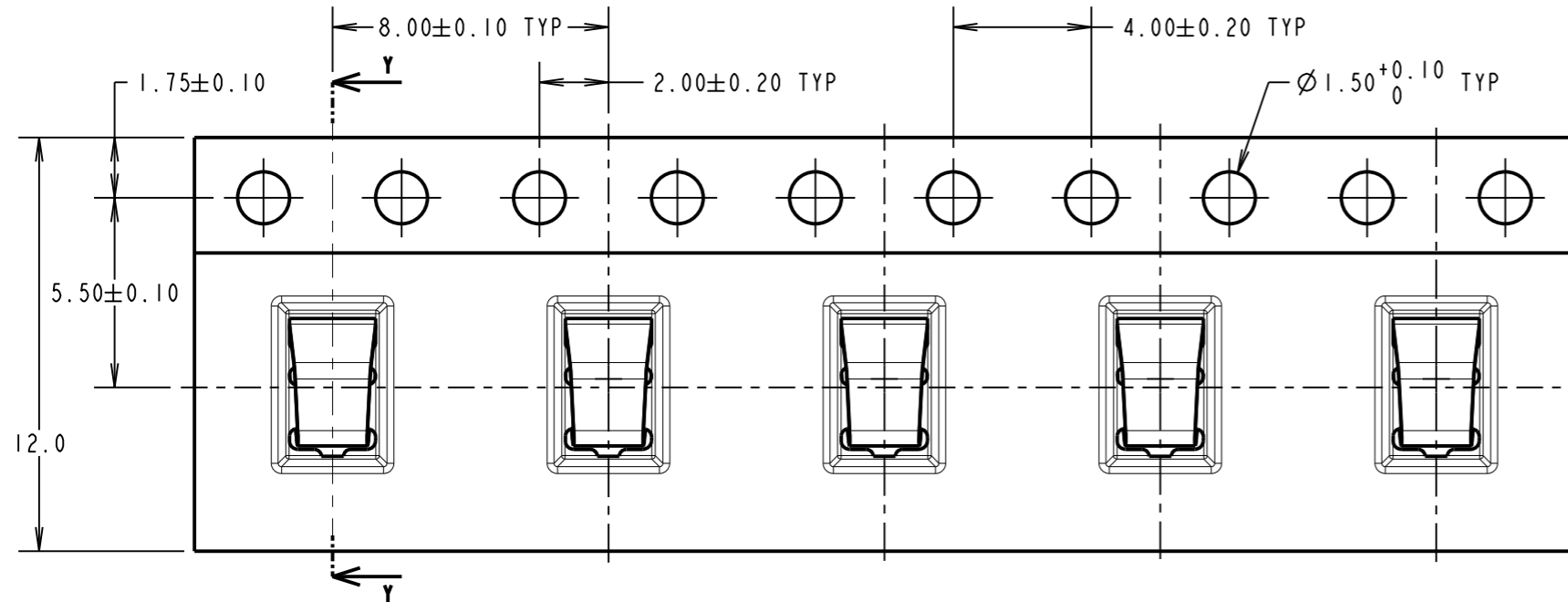
IF IN DOUBT - ASK

©

NOT TO SCALE

THIRD ANGLE PROJECTION

ALL DIMENSIONS IN mm



**COMPONENT SPECIFICATION:**  
 MATERIAL = TITANIUM COPPER ALLOY  
 0.10mm THICK  
 FINISH = 0.7µ-1.3µ NICKEL, GOLD FLASH  
 ON CONTACT AND 2.54µ MIN 100%  
 TIN ON FOOT AREA.  
 RECOMMENDED WORKING HEIGHT = 2.30mm / MIN FORCE = 1.2N  
 RECOMMENDED MINIMUM WORKING HEIGHT = 1.90mm  
**ELECTRICAL:**  
 CURRENT RATING = 6A  
**MECHANICAL:**  
 DURABILITY = 2000 CYCLES  
**ENVIRONMENTAL:**  
 OPERATING TEMPERATURE = -55°C TO +125°C

**NOTES:**  
 1. QUANTITY PER REEL = 2500.  
 2. GOLD PLATED AREA.  
 3. ALL TOLERANCES ARE: X.X = ±0.30mm  
 X.XX = ±0.15mm  
 UNLESS OTHERWISE STATED.

SB	6	20.11.13	12234
NAME	ISS.	DATE	C/NOTE
APPROVED:		S.BENNETT	
CHECKED:		S.FLOWER	
DRAWN:		R.ADDE	
CUSTOMER REF.:			
ASSEMBLY DRG:			

**HARWIN**

www.harwin.com  
 technical@harwin.com

THIS DRAWING AND ANY INFORMATION OR DESCRIPTIVE MATTER SET OUT HEREON ARE CONFIDENTIAL AND COPYRIGHT PROPERTY OF THE HARWIN GROUP AND MUST NOT BE DISCLOSED, LOANED, COPIED OR USED FOR MANUFACTURING, TENDERING OR FOR ANY OTHER PURPOSE WITHOUT THEIR WRITTEN PERMISSION.

**TOLERANCES**  
 X = ±1mm  
 X.X = ±0.25mm  
 X.XX = ±0.10mm  
 X.XXX = ±0.01mm  
 ANGLES = ±5°  
 UNLESS STATED

**MATERIAL:**  
 SEE ABOVE  
**FINISH:**  
 SEE ABOVE  
**S/AREA:**  
 mm<sup>2</sup>

**TITLE:**  
 SMT SHIELD FINGER (2.7mm)  
 IN TAPE AND REEL

**DRAWING NUMBER:**  
 S7091-42R

SHT  
 2 OF 2