



Chipsmall Limited consists of a professional team with an average of over 10 year of expertise in the distribution of electronic components. Based in Hongkong, we have already established firm and mutual-benefit business relationships with customers from,Europe,America and south Asia,supplying obsolete and hard-to-find components to meet their specific needs.

With the principle of “Quality Parts,Customers Priority,Honest Operation,and Considerate Service”,our business mainly focus on the distribution of electronic components. Line cards we deal with include Microchip,ALPS,ROHM,Xilinx,Pulse,ON,Everlight and Freescale. Main products comprise IC,Modules,Potentiometer,IC Socket,Relay,Connector.Our parts cover such applications as commercial,industrial, and automotives areas.

We are looking forward to setting up business relationship with you and hope to provide you with the best service and solution. Let us make a better world for our industry!



Contact us

Tel: +86-755-8981 8866 Fax: +86-755-8427 6832

Email & Skype: info@chipsmall.com Web: www.chipsmall.com

Address: A1208, Overseas Decoration Building, #122 Zhenhua RD., Futian, Shenzhen, China



Customer Information Sheet

DRAWING No.: S7101-42R

SHEET 2 OF 2

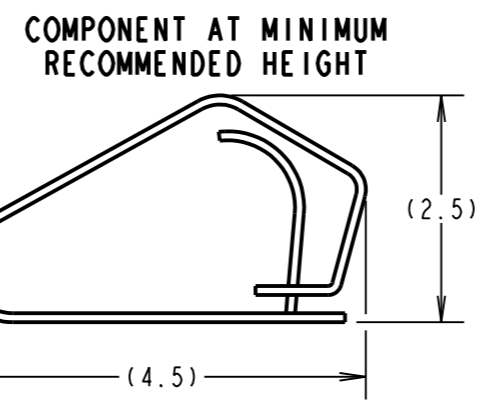
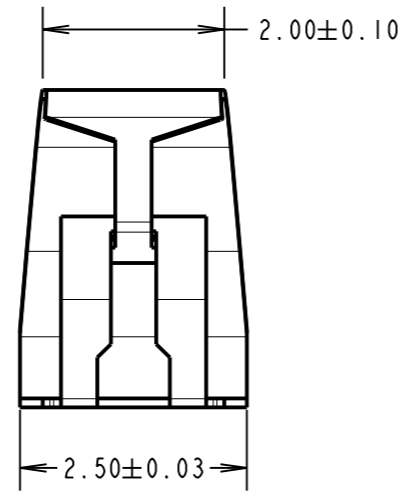
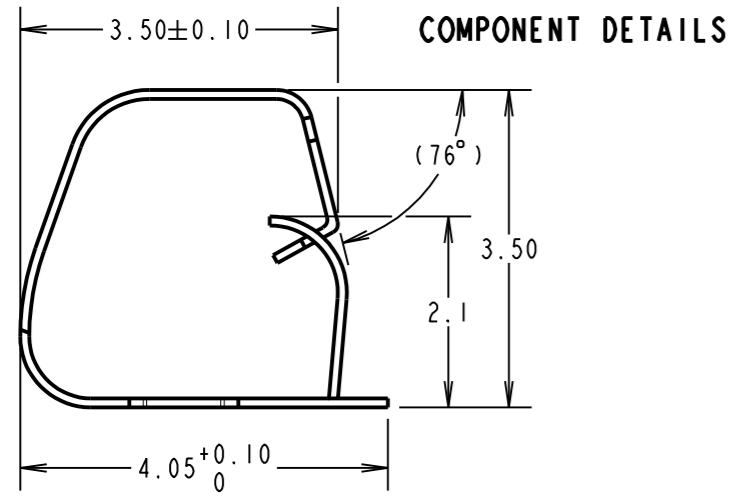
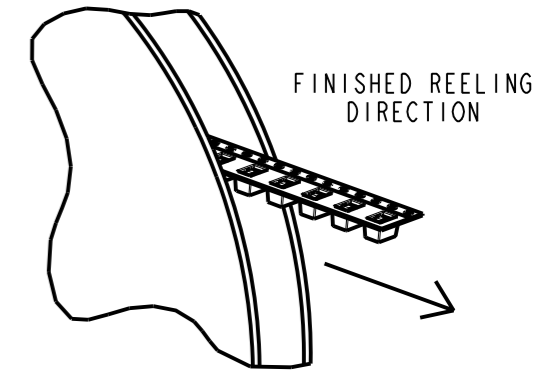
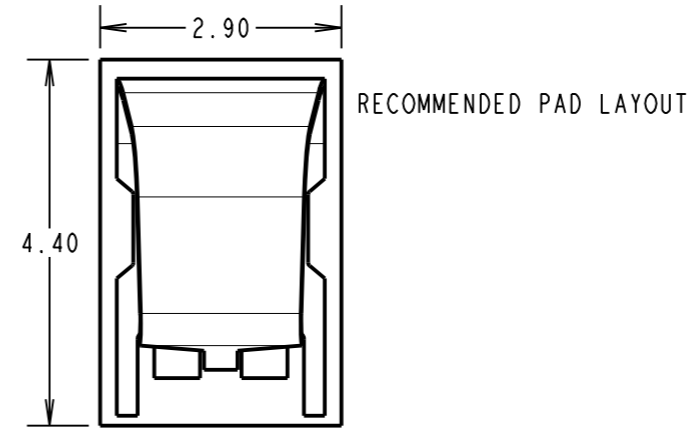
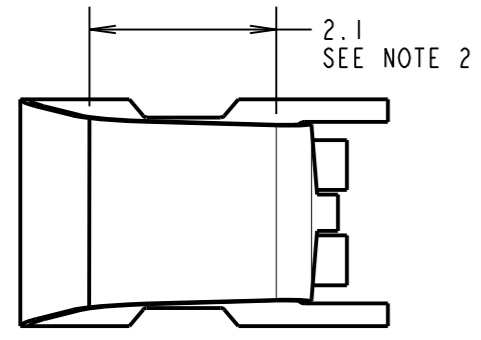
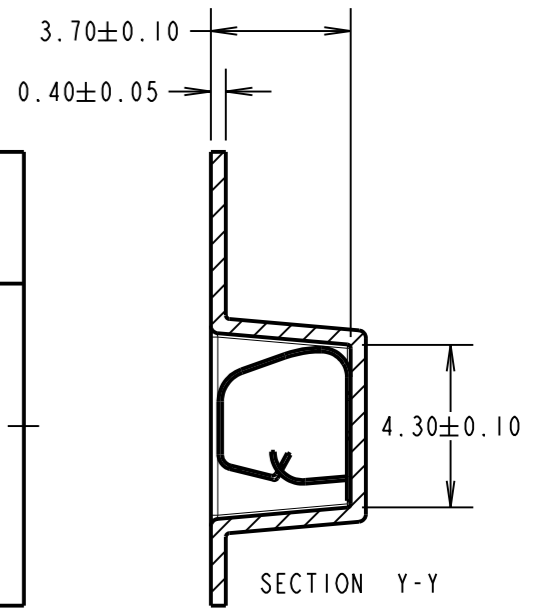
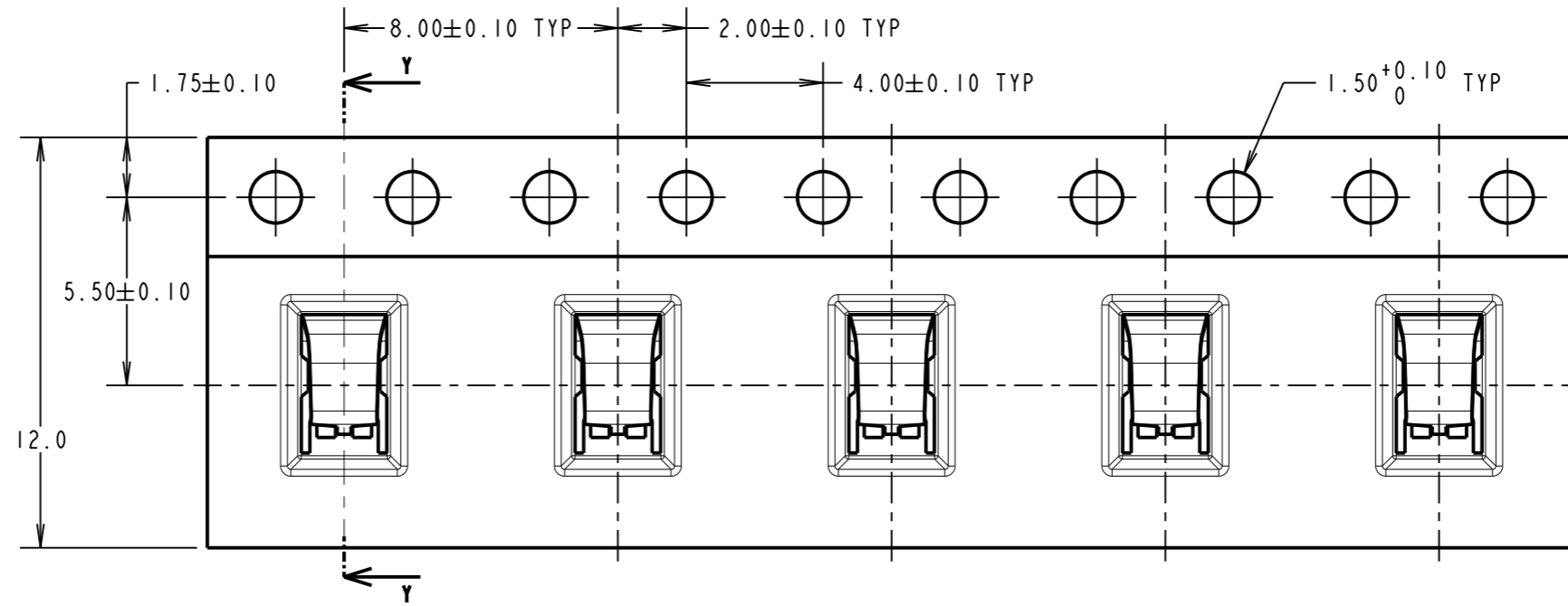
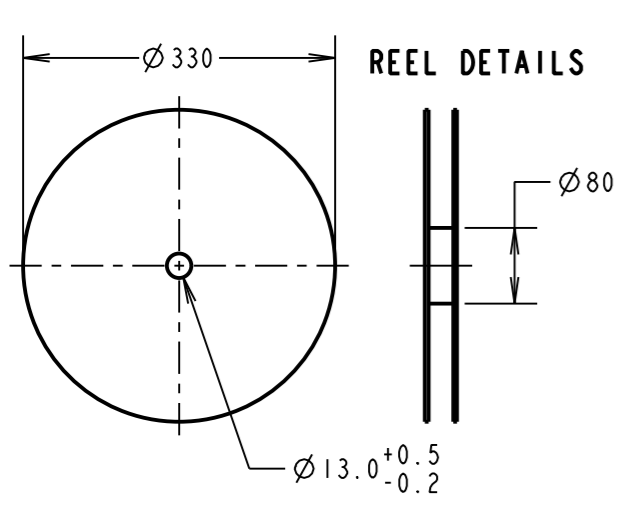
IF IN DOUBT - ASK

(C)

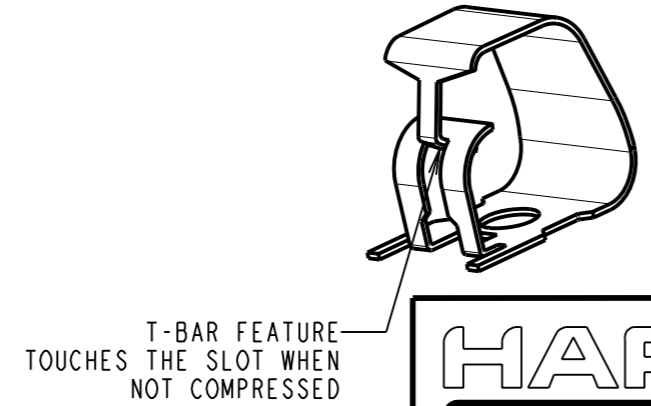
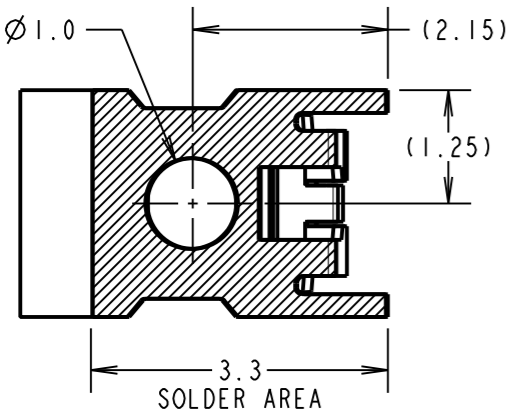
NOT TO SCALE

THIRD ANGLE PROJECTION

ALL DIMENSIONS IN mm



COMPONENT SPECIFICATION:
 MATERIAL = TITANIUM COPPER ALLOY,
 0.10mm THICK
 FINISH = 0.7 μ -1.3 μ NICKEL, GOLD FLASH
 ON CONTACT AND 2.54 μ MIN 100%
 TIN ON FOOT AREA.
 RECOMMENDED WORKING HEIGHT = 3.00mm / MIN FORCE = 1.2N
 RECOMMENDED MINIMUM WORKING HEIGHT = 2.50mm
 ELECTRICAL:
 CURRENT RATING = 3A
 MECHANICAL:
 DURABILITY = 2000 CYCLES
 ENVIRONMENTAL:
 OPERATING TEMPERATURE = -55°C TO +125°C



NOTES:
 1. QUANTITY PER REEL = 2500.
 2. GOLD PLATED AREA.
 3. ALL TOLERANCES ARE: X.X = ± 0.30 mm
 X.XX = ± 0.15 mm
 UNLESS OTHERWISE STATED.

SB	7	22.02.17	20463
NAME	ISS.	DATE	C/NOTE
APPROVED:		S.BENNETT	
CHECKED:		M.PLESTED	
DRAWN:		R.ADDE	
CUSTOMER REF.:			
ASSEMBLY DRG.:			

<p>www.harwin.com technical@harwin.com</p>	<p>THIS DRAWING AND ANY INFORMATION OR DESCRIPTIVE MATTER SET OUT HEREON ARE CONFIDENTIAL AND COPYRIGHT PROPERTY OF THE HARWIN GROUP AND MUST NOT BE DISCLOSED, LOANED, COPIED OR USED FOR MANUFACTURING, TENDERING OR FOR ANY OTHER PURPOSE WITHOUT THEIR WRITTEN PERMISSION.</p>	<p>TOLERANCES X = ± 1mm X.X = ± 0.25mm X.XX = ± 0.10mm X.XXX = ± 0.01mm ANGLES = $\pm 5^\circ$ UNLESS STATED</p>	<p>MATERIAL: SEE ABOVE</p>	<p>TITLE: SMT SHIELD FINGER (3.5mm) IN TAPE AND REEL</p>
			<p>FINISH: SEE ABOVE</p>	<p>DRAWING NUMBER: S7101-42R</p>