



Chipsmall Limited consists of a professional team with an average of over 10 year of expertise in the distribution of electronic components. Based in Hongkong, we have already established firm and mutual-benefit business relationships with customers from,Europe,America and south Asia,supplying obsolete and hard-to-find components to meet their specific needs.

With the principle of “Quality Parts,Customers Priority,Honest Operation,and Considerate Service”,our business mainly focus on the distribution of electronic components. Line cards we deal with include Microchip,ALPS,ROHM,Xilinx,Pulse,ON,Everlight and Freescale. Main products comprise IC,Modules,Potentiometer,IC Socket,Relay,Connector.Our parts cover such applications as commercial,industrial, and automotives areas.

We are looking forward to setting up business relationship with you and hope to provide you with the best service and solution. Let us make a better world for our industry!



## Contact us

Tel: +86-755-8981 8866 Fax: +86-755-8427 6832

Email & Skype: info@chipsmall.com Web: www.chipsmall.com

Address: A1208, Overseas Decoration Building, #122 Zhenhua RD., Futian, Shenzhen, China



# Customer Information Sheet

DRAWING No.: S7251-45R

IF IN DOUBT - ASK

©

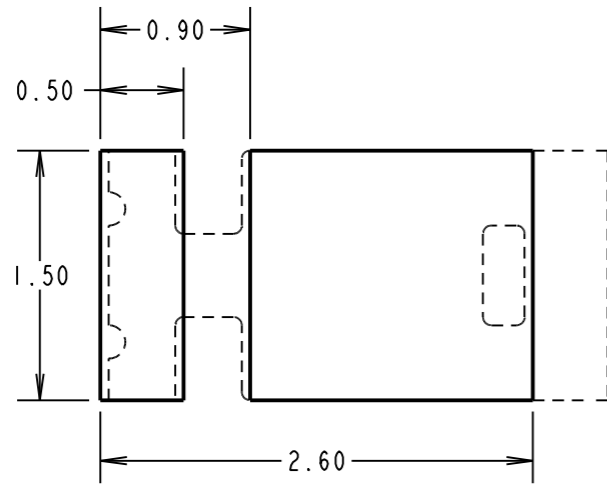
NOT TO SCALE

THIRD ANGLE PROJECTION

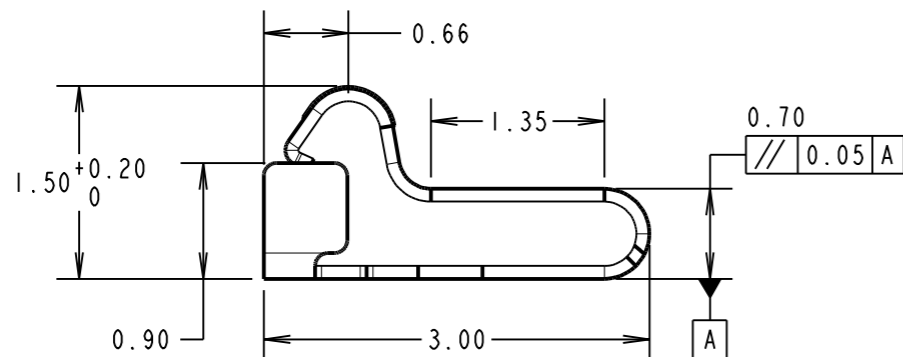
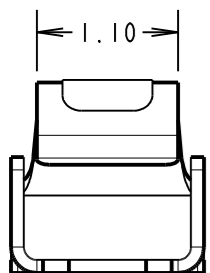
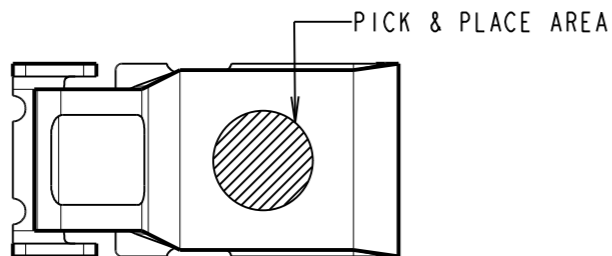
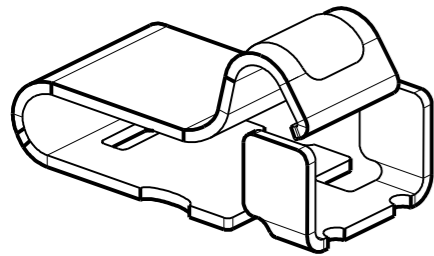
ALL DIMENSIONS IN mm

**NOTES:**

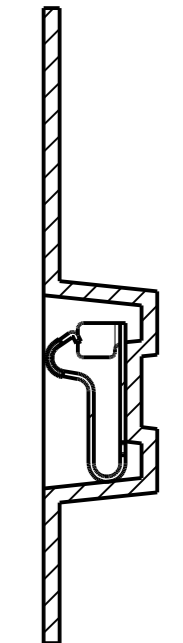
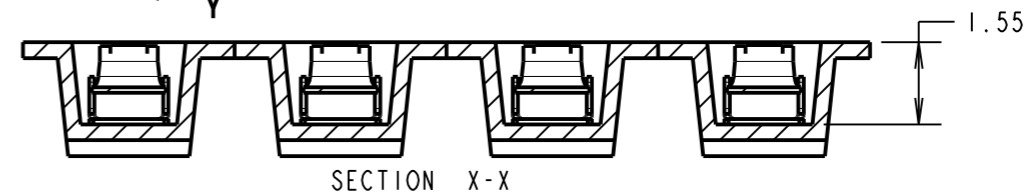
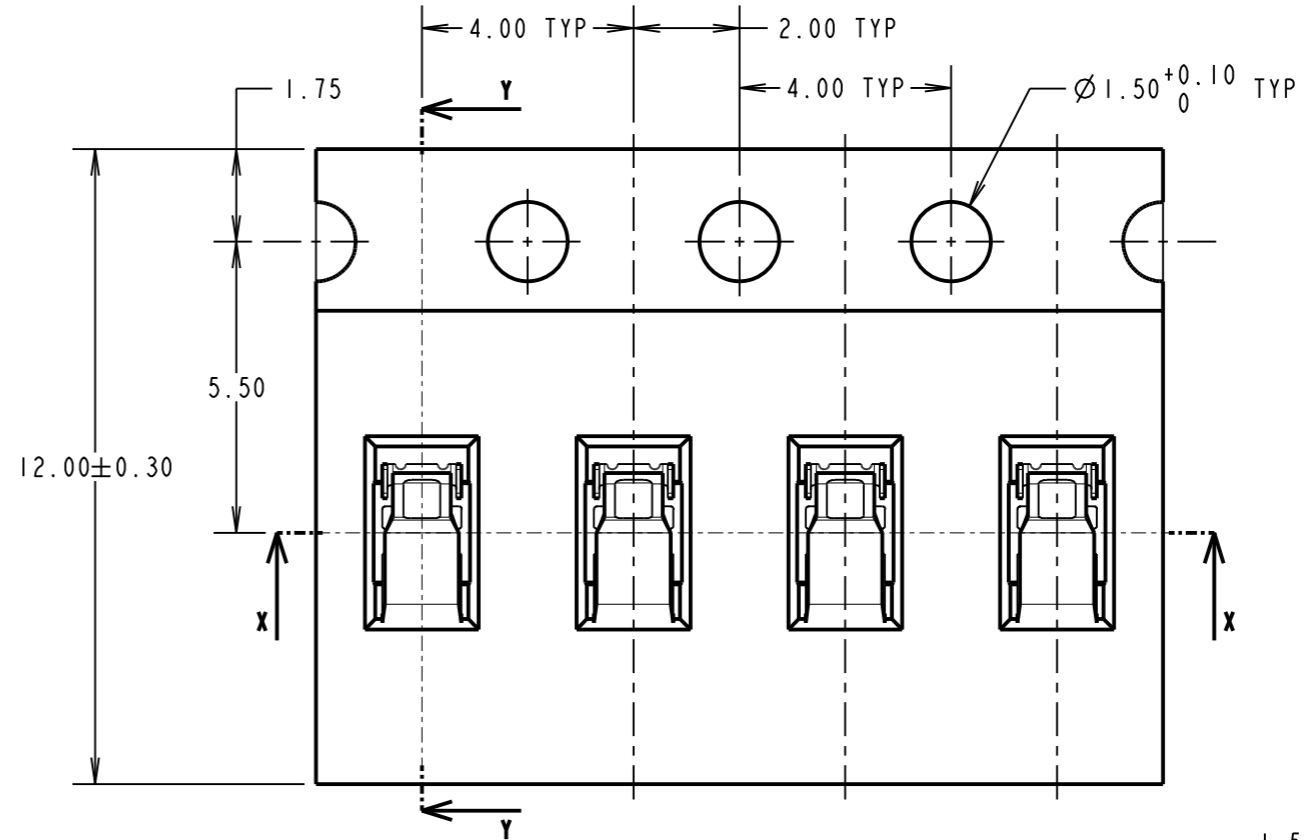
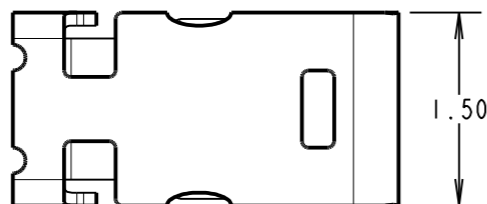
1. QUANTITY PER REEL = 8,000.
2. THIS PRODUCT IS TAPED AND REELED IN GENERAL ACCORDANCE WITH EIA-481-2 (ELECTRONICS INDUSTRIES ASSOCIATION).



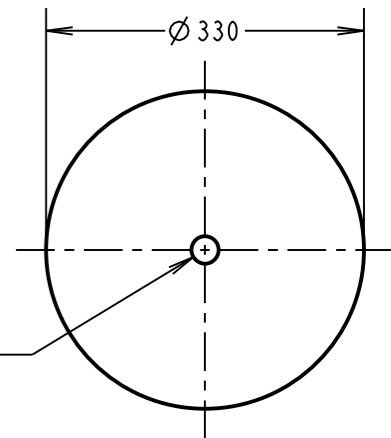
RECOMMENDED PCB LAYOUT  
(TOLERANCE = ±0.05)



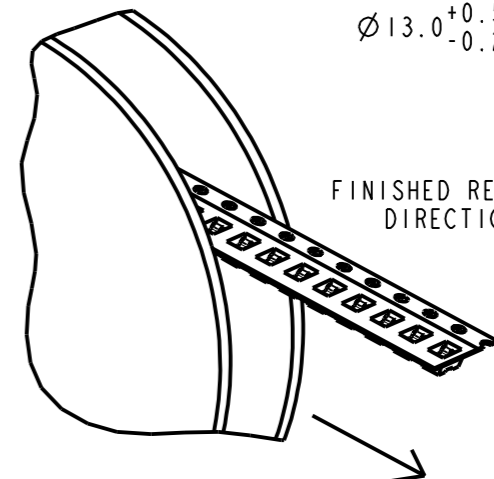
COMPONENT DETAILS



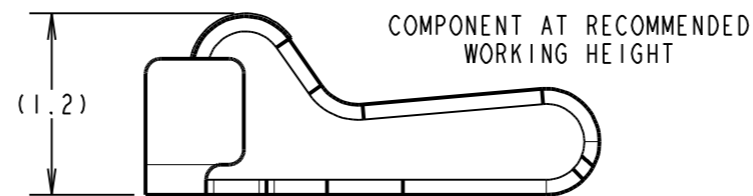
SECTION Y-Y



REEL DETAILS



FINISHED REELING DIRECTION



COMPONENT AT RECOMMENDED WORKING HEIGHT

**SPECIFICATION:**

MATERIAL = TITANIUM COPPER ALLOY, 0.08mm THICK  
FINISH = 1.5µ-3.5µ NICKEL ALL OVER, 0.1µ GOLD ON TOP CONTACT AREA AND GOLD FLASH ON BASE

**ELECTRICAL:**

CONTACT RESISTANCE = 50mΩ MAX  
CURRENT RATING = 1A  
VOLTAGE RATING = 250V AC

**MECHANICAL:**

DURABILITY = 10,000 CYCLES  
RECOMMENDED WORKING HEIGHT = 1.20mm / MIN FORCE = 0.58N  
RECOMMENDED MINIMUM WORKING HEIGHT = 0.90mm

**ENVIRONMENTAL:**

OPERATING TEMPERATURE = -40°C TO +85°C

**HARWIN**

www.harwin.com  
technical@harwin.com

THIS DRAWING AND ANY INFORMATION OR DESCRIPTIVE MATTER SET OUT HEREON ARE CONFIDENTIAL AND COPYRIGHT PROPERTY OF THE HARWIN GROUP AND MUST NOT BE DISCLOSED, LOANED, COPIED OR USED FOR MANUFACTURING, TENDERING OR FOR ANY OTHER PURPOSE WITHOUT THEIR WRITTEN PERMISSION.

**TOLERANCES**

X. = ±1mm  
X.X = ±0.50mm  
X.XX = ±0.10mm  
X.XXX = ±0.01mm  
ANGLES = ±5°  
UNLESS STATED

**MATERIAL:**

SEE ABOVE

**FINISH:**

SEE ABOVE

**S/AREA:**

mm<sup>2</sup>

**TITLE:** SMT SPRING CONTACT  
(1.50mm HIGH)  
IN TAPE AND REEL

**DRAWING NUMBER:**

S7251-45R

MSP	2	30.11.15	13179
NAME	ISS.	DATE	C/NOTE
APPROVED:		M.PERREN	
CHECKED:		S.BENNETT	
DRAWN:		S.BENNETT	
CUSTOMER REF.:			
ASSEMBLY DRG:			