



Chipsmall Limited consists of a professional team with an average of over 10 year of expertise in the distribution of electronic components. Based in Hongkong, we have already established firm and mutual-benefit business relationships with customers from,Europe,America and south Asia,supplying obsolete and hard-to-find components to meet their specific needs.

With the principle of “Quality Parts,Customers Priority,Honest Operation,and Considerate Service”,our business mainly focus on the distribution of electronic components. Line cards we deal with include Microchip,ALPS,ROHM,Xilinx,Pulse,ON,Everlight and Freescale. Main products comprise IC,Modules,Potentiometer,IC Socket,Relay,Connector.Our parts cover such applications as commercial,industrial, and automotives areas.

We are looking forward to setting up business relationship with you and hope to provide you with the best service and solution. Let us make a better world for our industry!



## Contact us

Tel: +86-755-8981 8866 Fax: +86-755-8427 6832

Email & Skype: info@chipsmall.com Web: www.chipsmall.com

Address: A1208, Overseas Decoration Building, #122 Zhenhua RD., Futian, Shenzhen, China

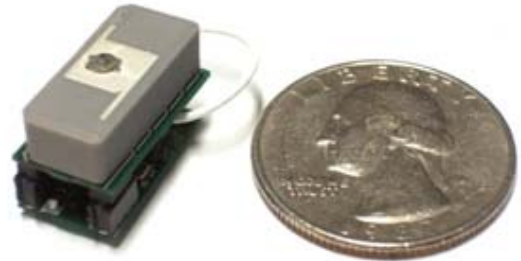


# S7U4E002003

## Micro GPS Evaluation Module

### ■ FEATURES

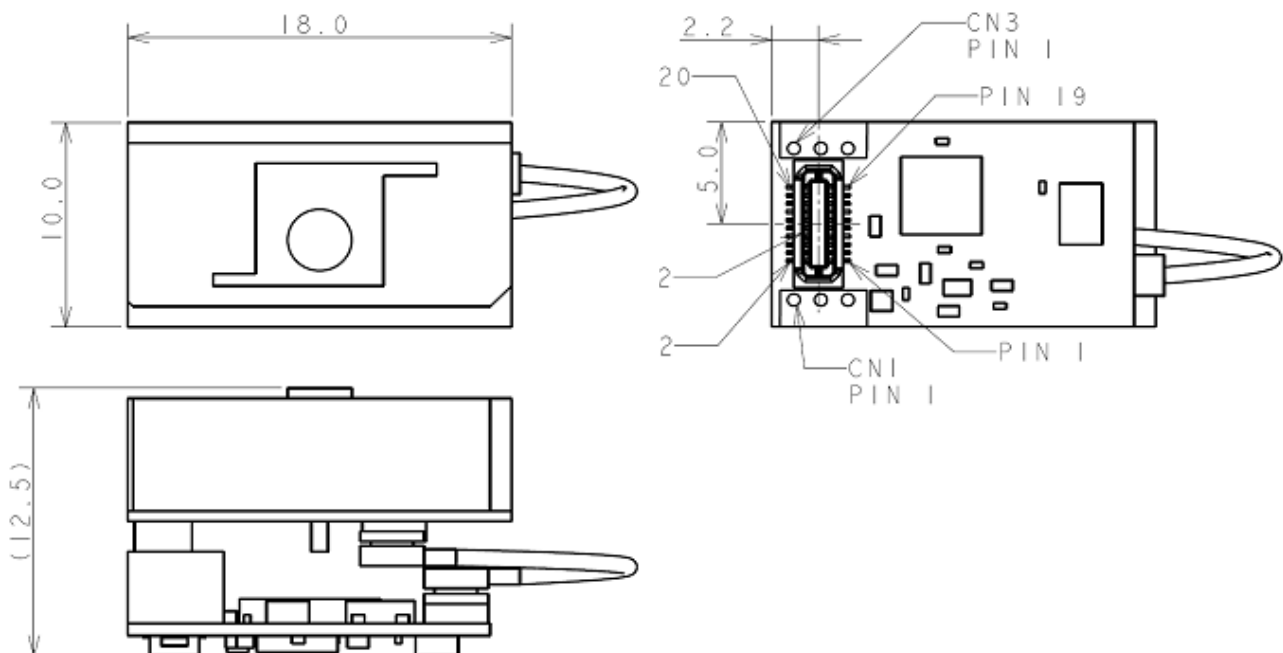
- Micro Evaluation module for GPS Receiver with GPS Antenna
- Easy to implement it into handy equipment by super compact design with single function
- Supports optional micro USB I/F Board



### ■ SPECIFICATIONS

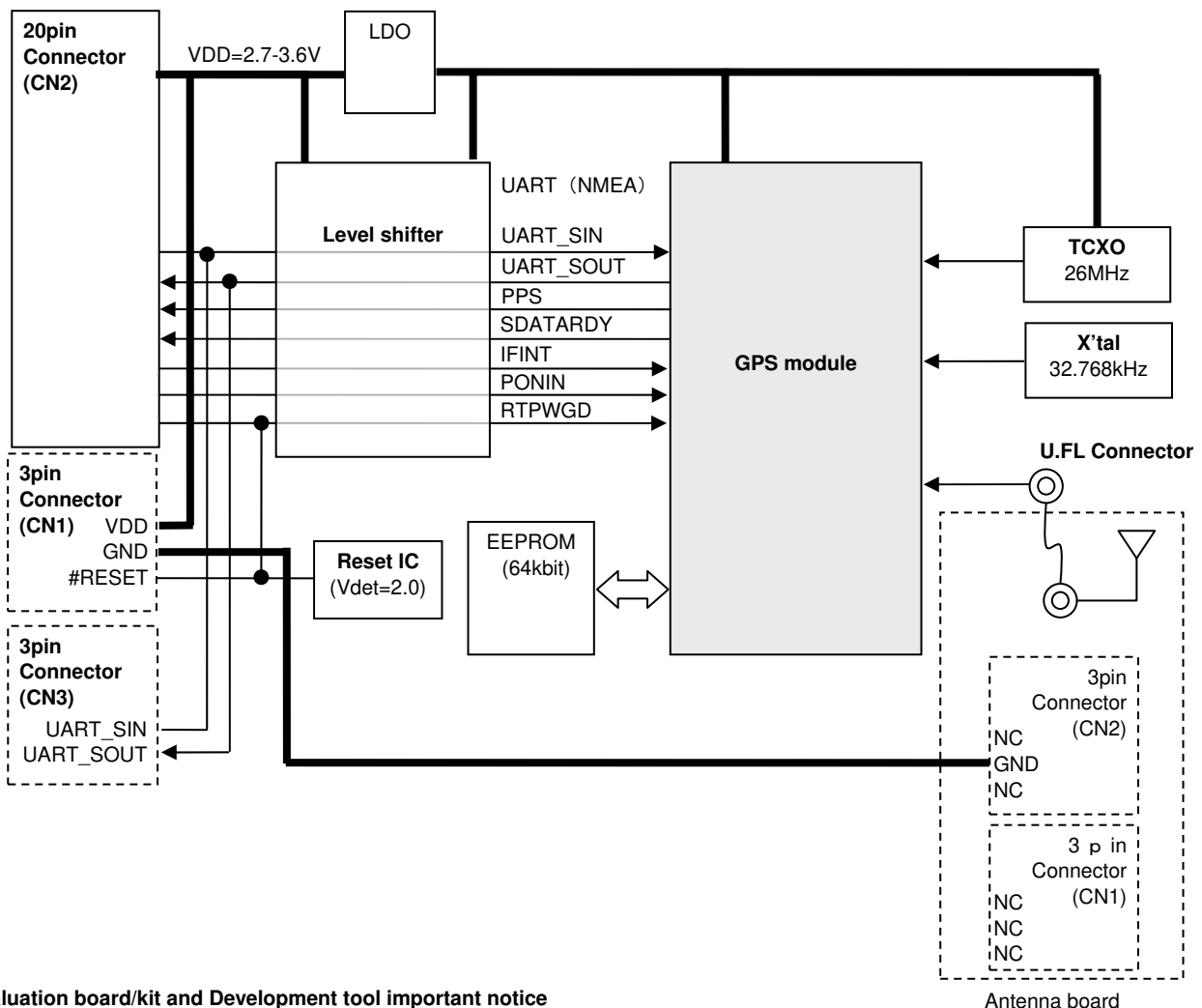
- Receiving frequency 1575.45MHz, L1, C/A code
- Sensitivity Hot start : -160dBm  
Warm/Cold start: -146dBm
- TTFF 1 sec,@-130dBm (Hot start)
- Accuracy 5m @outdoor
- Datum WGS84
- Interface UART
- Power supply 2.7 to 3.6V
- Connector DF37NC-20DS (Hirose Electric)  
Adopted connector: DF37C-20DP (Hirose Electric)
- Size 10 x 18 x 12.5 mm
- Optional USB I/F board S7U4E002A01 (SEIKO EPSON)

### ■ DIMENSIONS Unit: mm



# S7U4E002003

## ■ BLOCK DIAGRAMS



### Evaluation board/kit and Development tool important notice

1. This evaluation board/kit or development tool is designed for engineering evaluation, demonstration, or development purposes only. Do not use it for any other purpose. It is not intended to meet the requirements of design for a finished product.
2. This evaluation board/kit or development tool is intended for use by an electronics engineer and is not a consumer product. The user should use these goods properly and safely. Seiko Epson does not assume any responsibility or liability of any kind if damage and/or fire is caused by its use. The user should cease to use the evaluation board/kit or development tool when any abnormal issue occurs, even during proper and safe use.
3. The part used for this evaluation board/kit or development tool may be changed without any notice.

### NOTICE:

No part of this material may be reproduced or duplicated in any form or by any means without the written permission of Seiko Epson. Seiko Epson reserves the right to make changes to this material without notice. Seiko Epson does not assume any liability of any kind arising out of any inaccuracies contained in this material or due to its application or use in any product or circuit and, further, there is no representation that this material is applicable to products requiring high level reliability, such as, medical products. Moreover, no license to any intellectual property rights is granted by implication or otherwise, and there is no representation or warranty that anything made in accordance with this material will be free from any patent or copyright infringement of a third party. This material or portions thereof may contain technology or the subject relating to strategic products under the control of the Foreign Exchange and Foreign Trade Law of Japan and may require an export license from the Ministry of Economy, Trade and Industry or other approval from another government agency.

All brands or product names mentioned herein are trademarks and/or registered trademarks of their respective companies.

©Seiko Epson Corporation 2011, All rights reserved

## SEIKO EPSON CORPORATION

### MICRODEVICES OPERATIONS DIVISION

System Business Development Group  
Device Sales & Marketing Department

421-8 Hino, Hino-shi, Tokyo 191-8501, JAPAN  
Phone: +81-42-587-8291 FAX: +81-42-587-5116

EPSON System products website

[http://www.epson.jp/e/products/device/micro\\_system/](http://www.epson.jp/e/products/device/micro_system/)

Document code: 412176400  
First issue July, 2011