



Chipsmall Limited consists of a professional team with an average of over 10 year of expertise in the distribution of electronic components. Based in Hongkong, we have already established firm and mutual-benefit business relationships with customers from,Europe,America and south Asia,supplying obsolete and hard-to-find components to meet their specific needs.

With the principle of "Quality Parts,Customers Priority,Honest Operation,and Considerate Service",our business mainly focus on the distribution of electronic components. Line cards we deal with include Microchip,ALPS,ROHM,Xilinx,Pulse,ON,Everlight and Freescale. Main products comprise IC,Modules,Potentiometer,IC Socket,Relay,Connector.Our parts cover such applications as commercial,industrial, and automotives areas.

We are looking forward to setting up business relationship with you and hope to provide you with the best service and solution. Let us make a better world for our industry!



## Contact us

Tel: +86-755-8981 8866 Fax: +86-755-8427 6832

Email & Skype: info@chipsmall.com Web: www.chipsmall.com

Address: A1208, Overseas Decoration Building, #122 Zhenhua RD., Futian, Shenzhen, China



# Customer Information Sheet

DRAWING No.: S8101-46R

SHEET 2 OF 2

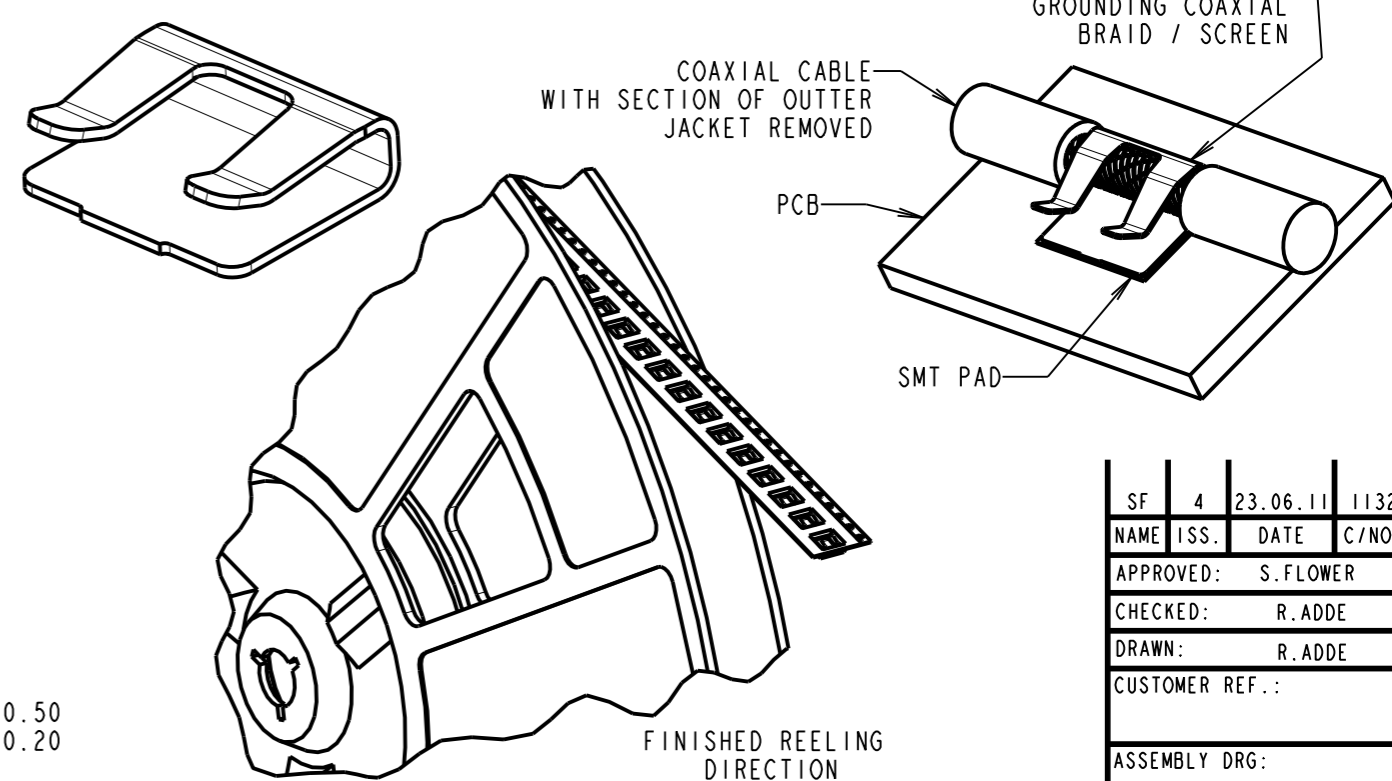
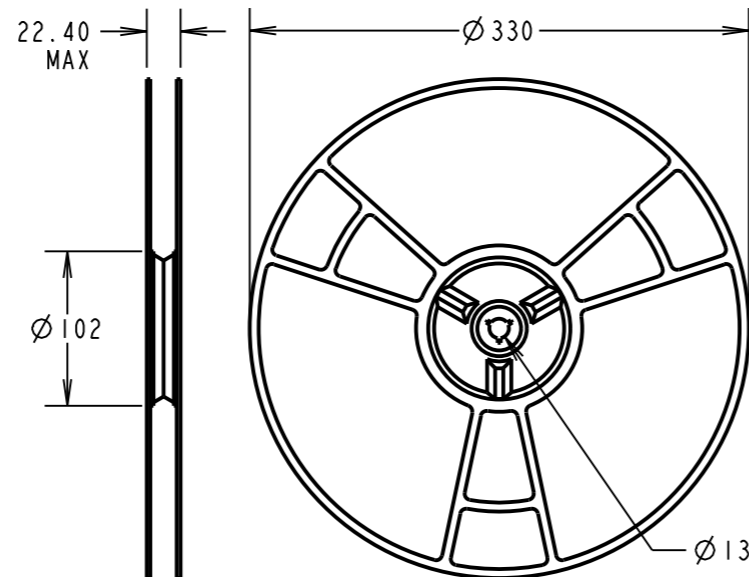
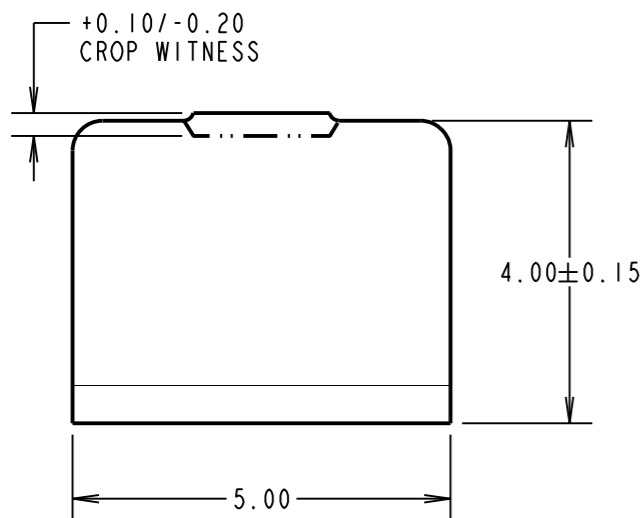
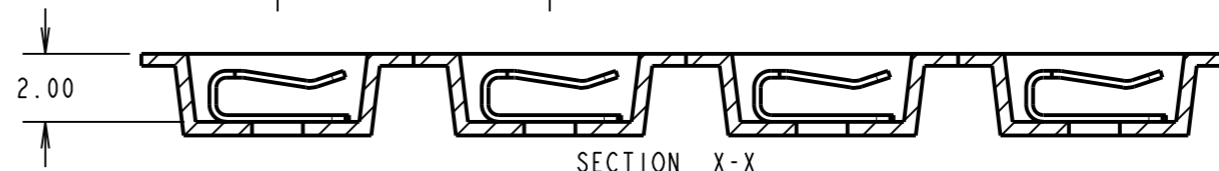
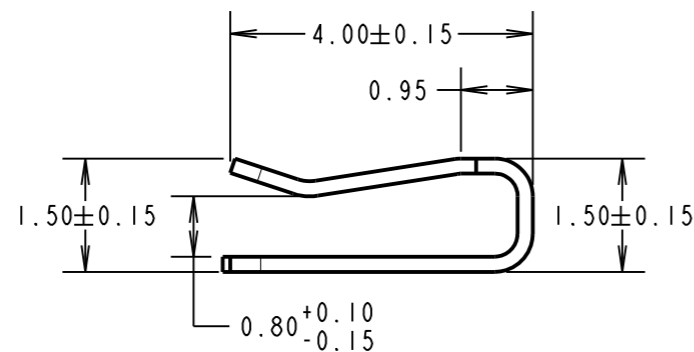
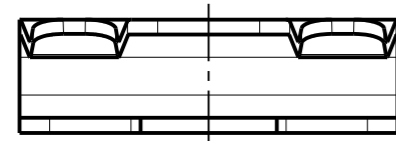
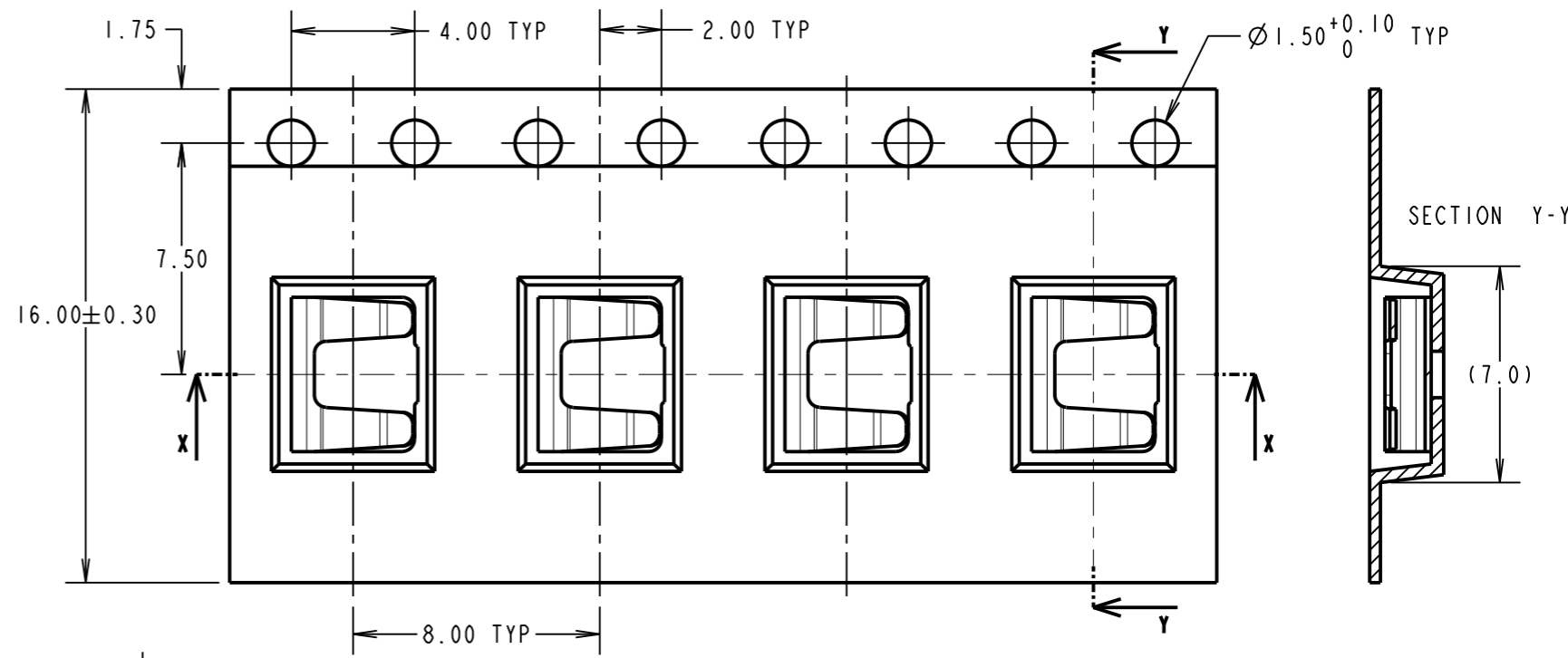
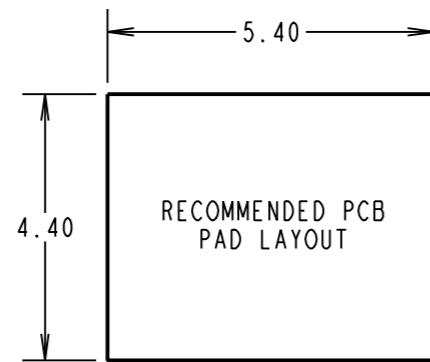
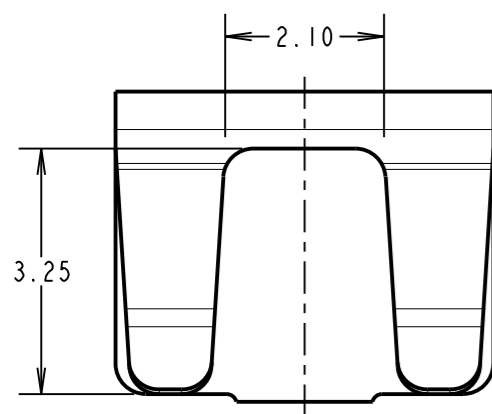
IF IN DOUBT - ASK

(C)

NOT TO SCALE

THIRD ANGLE PROJECTION

ALL DIMENSIONS IN mm



**COMPONENT SPECIFICATION:**  
 MATERIAL: PHOSPHOR BRONZE  
 FINISH: RoHS TIN OVER NICKEL  
 CAPACITY MAX: 2 x Ø1.0mm WIRES  
 COAX USAGE:  
 SUITABLE FOR USE AS A COAXIAL BRAID/SCREEN  
 GROUNDING CLIP WITH RG178, RG179 AND RG316 TYPE CABLE.

**NOTES:**  
 1. QUANTITY OF COMPONENTS PER REEL = 3000.  
 2. THIS PRODUCT IS TAPED AND REELED IN ACCORDANCE WITH EIA-481 (ELECTRONICS INDUSTRIES ASSOCIATION).

|                |      |          |        |
|----------------|------|----------|--------|
| SF             | 4    | 23.06.11 | 11327  |
| NAME           | ISS. | DATE     | C/NOTE |
| APPROVED:      |      | S.FLOWER |        |
| CHECKED:       |      | R.ADDE   |        |
| DRAWN:         |      | R.ADDE   |        |
| CUSTOMER REF.: |      |          |        |
| ASSEMBLY DRG:  |      |          |        |

|  |  |  |  |  |  |
|--|--|--|--|--|--|
| <b>HARWIN</b>  |  |  | TOLERANCES<br>X. = ±1mm<br>X.X = ±0.25mm<br>X.XX = ±0.10mm<br>X.XXX = ±0.01mm<br>ANGLES = ±5°<br>UNLESS STATED | MATERIAL:<br>SEE ABOVE<br>FINISH:<br>S/AREA: mm <sup>2</sup> | TITLE: SMT CABLE CLIP Ø1.0mm /<br>RG178, RG179, AND RG316 COAX<br>GROUNDING CLIP IN TAPE & REEL<br>DRAWING NUMBER:<br><b>S8101-46R</b> |
| HARWIN USA<br>TEL: 603 893 5376<br>FAX: 603 893 5396<br>mis@harwin.com | HARWIN Europe (UK)<br>TEL: 023 9231 4545<br>FAX: 023 9231 4590<br>mis@harwin.co.uk | HARWIN Asia<br>TEL: +65 6 779 4909<br>FAX: +65 6 779 3868<br>mis@harwin.com.sg |  |  |  |