



Chipsmall Limited consists of a professional team with an average of over 10 year of expertise in the distribution of electronic components. Based in Hongkong, we have already established firm and mutual-benefit business relationships with customers from,Europe,America and south Asia,supplying obsolete and hard-to-find components to meet their specific needs.

With the principle of “Quality Parts,Customers Priority,Honest Operation,and Considerate Service”,our business mainly focus on the distribution of electronic components. Line cards we deal with include Microchip,ALPS,ROHM,Xilinx,Pulse,ON,Everlight and Freescale. Main products comprise IC,Modules,Potentiometer,IC Socket,Relay,Connector.Our parts cover such applications as commercial,industrial, and automotives areas.

We are looking forward to setting up business relationship with you and hope to provide you with the best service and solution. Let us make a better world for our industry!



Contact us

Tel: +86-755-8981 8866 Fax: +86-755-8427 6832

Email & Skype: info@chipsmall.com Web: www.chipsmall.com

Address: A1208, Overseas Decoration Building, #122 Zhenhua RD., Futian, Shenzhen, China



THE INFORMATION CONTAINED HEREIN IS CONSIDERED "PROPRIETARY" TO BEL FUSE INC. AND SHALL NOT BE COPIED, REPRODUCED OR DISCLOSED WITHOUT THE WRITTEN APPROVAL OF BEL FUSE INC.

RoHS



ELECTRICAL CHARACTERISTICS @ 25°C

URNS RATIO

TX 1CT : 1
RX 1CT : 1

□CL @ 100kHz/100mVRMS

8mA DC BIAS 350μH MIN.

INS. LOSS

1MHz TO 100MHz -1.0 dB MAX

RET. LOSS (MIN)

1MHz-30MHz -18 dB
30MHz-60MHz -18+20LOG(F/30MHz) dB
60MHz-80MHz -12 dB

CROSS TALK (TX - RX)

500kHz-1MHz -70 dB MIN
10 MHz -50 dB MIN
30 MHz -45 dB MIN
50 MHz -40 dB MIN
100 MHz -35 dB MIN

CM TO CM REJ

100kHz-1MHz -70 dB MIN
10 MHz -47 dB MIN
30 MHz -42 dB MIN
60 MHz -37 dB MIN
100 MHz -30 dB MIN

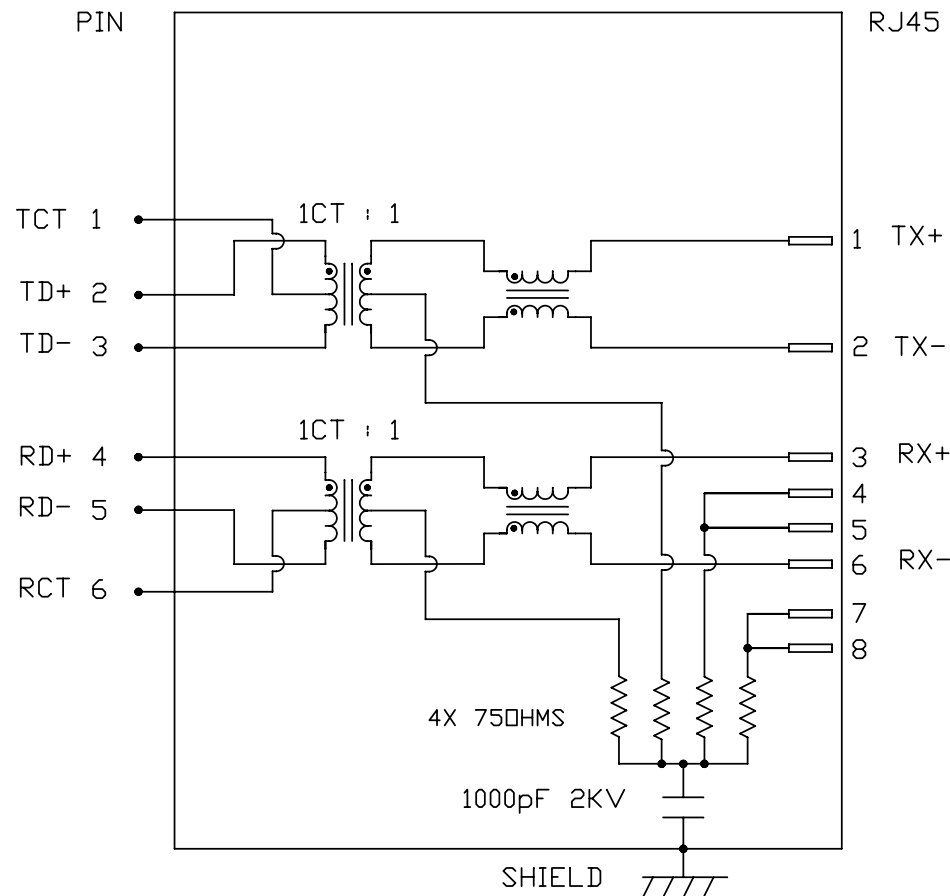
CM TO DM REJ

100kHz-1MHz -70 dB MIN
10 MHz -60 dB MIN
30 MHz -50 dB MIN
60 MHz -45 dB MIN
100 MHz -40 dB MIN

HIPDT (Isolation Voltage): 1500 Vrms or 2250VDC

100% OF PRODUCTION TESTED TO COMPLY WITH IEEE 802.3 ISOLATION REQUIREMENTS.

SCHEMATIC



| | |
|---------------|------------|
| ORIGINATED BY | DATE |
| CHOW WANCHUNG | 2012-08-03 |
| DRAWN BY | DATE |
| TAN QIGUANG | 2012-08-03 |

| | |
|------------------------|---|
| TITLE | SMD MagJack® (4 Cores,MDIX,CM Termination) |
| PART NO. / DRAWING NO. | S8111X1T06-F |
| FILE NAME | S8111X1T06-F_E.DWG |
| | PATENTED |

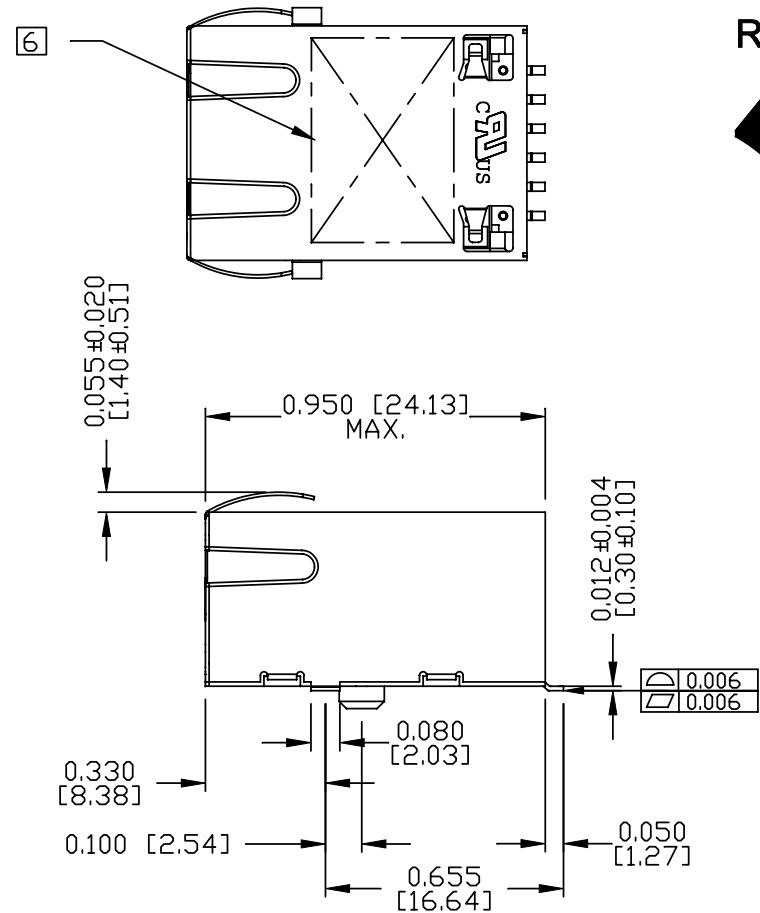
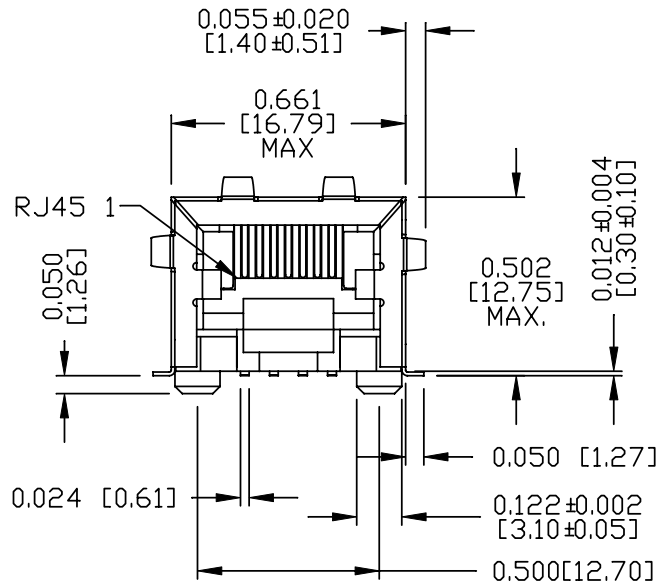
| | |
|----------------------------|------------------------------|
| STANDARD DIM. TOL. IN INCH | [] METRIC DIM. AS REFERENCE |
| .X | UNIT : INCH [mm] |
| .XX | SCALE : N/A |
| .XXX | REV. : E |
| | SIZE : A4 |
| | PAGE : 2 |

| | |
|--|--|
| | |
| | |
| | |
| | |
| | |



THE INFORMATION CONTAINED HEREIN IS CONSIDERED "PROPRIETARY" TO BEL FUSE INC. AND SHALL NOT BE COPIED, REPRODUCED OR DISCLOSED WITHOUT THE WRITTEN APPROVAL OF BEL FUSE INC.

RoHS



NOTES:

1. PLASTIC HOUSING: THERMOPLASTIC PA & THERMOSET PHENOLIC. FLAMMABILITY RATING UL 94V-0
2. CONTACTS PLATING: 50 MICRO-INCH HARD GOLD PLATING OR EQUIVALENT.
3. PINS: TIN-COATED COPPER WIRE, 0.024 [0.6] X 0.012 [0.3] THK.
4. METAL SHIELD: NICKEL PLATED COPPER ALLOY.
5. JACK CAVITY CONFORMS TO FCC RULES AND REGULATIONS.
6. MARK PART WITH MFG. LOGO, MFG. NAME, PART NUMBER, DATE CODE AND PATENTED.

7. THE PRODUCT IS RoHS COMPLIANT.
8. THE PRODUCT IS PATENT PRODUCT. THE PATENT NUMBER IS U.S. PAT. 5,736,910.

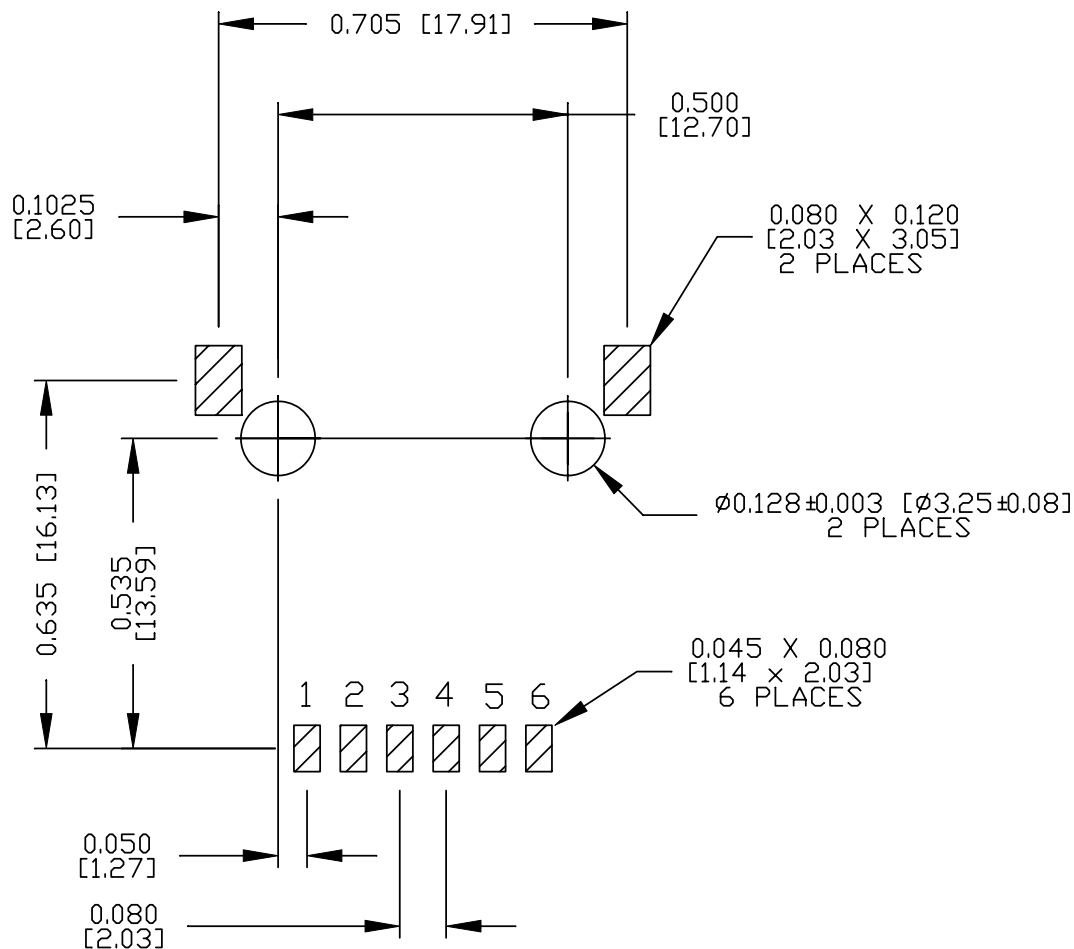
| | | | | | | |
|-----------------------------|--------------------|--|---------------------------------------|-------------------------------|---------------------------------|--|
| ORIGINATED BY ANTON LIAO | DATE 2012-08-03 | TITLE SMD MagJack® (4 Cores,MDIX,CM Termination) S811-1X1T-06-F PATENTED | PART NO. / DRAWING NO. S811X1T06-F | STANDARD DIM. TOL. IN INCH | [] METRIC DIM. AS REFERENCE | bel COMPONENTS FOR A CONNECTED PLANET |
| DRAWN BY HE ZHEN | DATE 2012-08-03 | | FILE NAME S811X1T06-F_E.DWG | .X .XX .XXX | UNIT : INCH [mm] SCALE : N/A | |
| | | | | ±0.010 | | |

THE INFORMATION CONTAINED HEREIN IS CONSIDERED "PROPRIETARY" TO BEL FUSE INC. AND SHALL NOT BE COPIED, REPRODUCED OR DISCLOSED WITHOUT THE WRITTEN APPROVAL OF BEL FUSE INC.

RoHS



RECOMMENDED PCB FOOTPRINT
COMPONENT SIDE VIEW



| | |
|---------------|------------|
| ORIGINATED BY | DATE |
| ANTON LIAO | 2012-08-03 |
| DRAWN BY | DATE |
| HE ZHEN | 2012-08-03 |

| |
|--|
| TITLE |
| SMD MagJack ® (4 Cores, MDIX, CM Termination) |
| S811-1X1T-06-F PATENTED |

| |
|------------------------|
| PART NO. / DRAWING NO. |
| S8111X1T06-F |
| FILE NAME |
| S8111X1T06-F_E.DWG |

| | |
|---------------|------------------------------|
| STANDARD DIM. | [] METRIC DIM. AS REFERENCE |
| TOL. IN INCH | UNIT : INCH [mm] |
| .X | REV. : E |
| .XX | SCALE : N/A |
| .XXX | SIZE : A4 |
| ±0.004 | PAGE : 4 |

| | |
|------------------|-----------|
| UNIT : INCH [mm] | REV. : E |
| SCALE : N/A | SIZE : A4 |
| PAGE : 4 | |

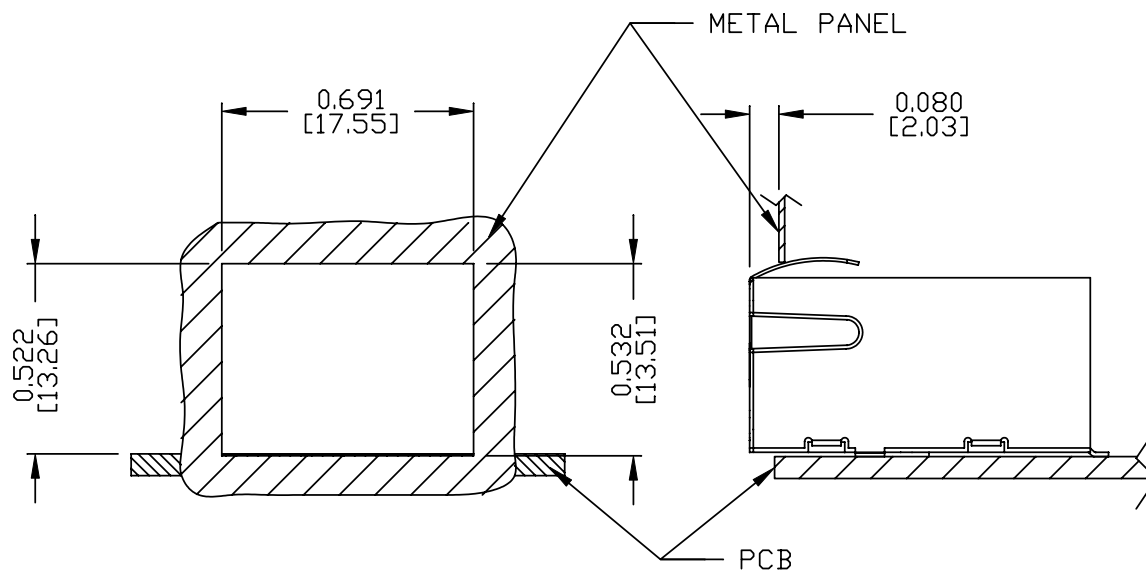


THE INFORMATION CONTAINED HEREIN IS CONSIDERED "PROPRIETARY" TO BEL FUSE INC. AND SHALL NOT BE COPIED, REPRODUCED OR DISCLOSED WITHOUT THE WRITTEN APPROVAL OF BEL FUSE INC.

RoHS



SUGGESTED PANEL OPENING



NOTES:

THE DISTANCE OF PANEL INSIDE SURFACE RELATIVE TO FRONT SURFACE OF PART IS ONLY A SUGGESTION.
 IN CASE THIS DISTANCE IS DIFFERENT, THE REQUIRED PANEL OPENING DIMENSIONS CHANGE ACCORDINGLY.

| | | | | | | | |
|-----------------------------|--------------------|--|---------------------------------------|----------------------------|--------|------------------------------|-----------|
| ORIGINATED BY ANTON LIAO | DATE 2012-08-03 | TITLE SMD MagJack® (4 Cores,MDIX,CM Termination) S811-1X1T-06-F PATENTED | PART NO. / DRAWING NO. S811X1T06-F | STANDARD DIM. TOL. IN INCH | | [] METRIC DIM. AS REFERENCE | |
| | | | | .X | | UNIT : INCH [mm] | REV. : E |
| DRAWN BY HE ZHEN | DATE 2012-08-03 | | FILE NAME S811X1T06-F_E.DWG | .XX | | SCALE : N/A | SIZE : A4 |
| | | | | .XXX | ±0.004 | | PAGE : 5 |
| | | | | | | | |

