



Chipsmall Limited consists of a professional team with an average of over 10 year of expertise in the distribution of electronic components. Based in Hongkong, we have already established firm and mutual-benefit business relationships with customers from,Europe,America and south Asia,supplying obsolete and hard-to-find components to meet their specific needs.

With the principle of “Quality Parts,Customers Priority,Honest Operation,and Considerate Service”,our business mainly focus on the distribution of electronic components. Line cards we deal with include Microchip,ALPS,ROHM,Xilinx,Pulse,ON,Everlight and Freescale. Main products comprise IC,Modules,Potentiometer,IC Socket,Relay,Connector.Our parts cover such applications as commercial,industrial, and automotives areas.

We are looking forward to setting up business relationship with you and hope to provide you with the best service and solution. Let us make a better world for our industry!



Contact us

Tel: +86-755-8981 8866 Fax: +86-755-8427 6832

Email & Skype: info@chipsmall.com Web: www.chipsmall.com

Address: A1208, Overseas Decoration Building, #122 Zhenhua RD., Futian, Shenzhen, China



Dependable Power Supply for Demanding Industrial Applications

- Power rating range from 30 to 150 W
- Wide range of output voltage: 5, 12, 15, and 24 V
- Field-selectable input voltage 120 or 240 VAC
- Equipped with overvoltage and overload protection
- Remote sensing and remote control functions (some models)
- 3-Year warranty



Ordering Information

■ SWITCHING POWER SUPPLIES

Rated input voltage	Power ratings	Output voltage	Output current	Part number
120/240 VAC selectable	30W	5 V	6 A	S82G-0305
		12 V	2.5 A	S82G-0312
		15 V	2 A	S82G-0315
		24 V	1.3 A	S82G-0324
	60 W	5 V	12 A	S82G-0605
		12 V	5 A	S82G-0612
		15 V	4 A	S82G-0615
		24 V	2.5 A	S82G-0624
	100 W	5 V	20 A	S82G-1005
		12 V	9 A	S82G-1012
		15 V	7.2 A	S82G-1015
		24 V	4.6 A	S82G-1024
	150 W	5 V	30 A	S82G-1505
		12 V	13.5 A	S82G-1512
		15 V	10.8 A	S82G-1515
		24 V	7 A	S82G-1524

Note: For mounting brackets and other accessories refer to the *Accessories* Section on the next page.

■ MODEL NUMBER LEGEND

S82G -
1 2

1. Power ratings

03: 30 W
 06: 60 W
 10: 100W
 15: 150 W

2. Output voltage

05: 5 V
 12: 12 V
 15: 15 V
 24: 24 V

■ ACCESSORIES (ORDER SEPARATELY)

Description	Applicable power supply	Part number
Bottom-mounting bracket	S82G-03□□	S82Y-G03B
	S82G-06□□	S82Y-G06B
	S82G-10□□	S82Y-CM1B
	S82G-15□□	S82Y-C15B
Side-mounting bracket	S82G-15□□	S82Y-CM1S

Specifications

Power ratings	30 W	60 W	100 W	150 W	
Efficiency (typ.)	71% (at 5 V) to 74% (at 24 V)	75% (at 5 V) to 82% (at 24 V)			
Input					
Operating voltage	AC	85 to 132 VAC/170 to 264 VAC (selectable)			
	DC	No			
Frequency	47 to 450 Hz				
Current at rated input voltage and rated output voltage/current	At 100-V input	0.95 A max.	1.7 A max.	2.7 A max.	4 A max.
	At 200-V input	0.6 A max.	0.9 A max.	1.4 A max.	2.1 A max.
Leakage current at rated input voltage and output voltage current	At 100-V input	0.5 mA max.			
	At 200-V input	1 mA max.			
Inrush current at rated input voltage and rated output voltage/current	At 100-V input	15 A max.			
	At 200-V input	30 A max.			
Noise filter	Provided				
Output					
Voltage adjustment	±10% (adjustable by adjuster)				
Ripple and noise	5 V: 50 mV p-p max., 12 V: 120 mV p-p max., 15 V: 150 mV p-p max., 24 V: 240 mV p-p max.				
Regulation, line	0.5% max. (at 85 to 132/170 to 264 V input, 100% load)				
Regulation, load	0.8% max. (at rated input, 10 to 100% load)				
Temperature coefficient	0.03%/°C max. (at rated input/output)				
Rise time	300 ms max. (90% output voltage rise at rated input voltage and rated output voltage/current)				
Hold up time	20 ms min. (90% output voltage rise at rated input voltage and rated output voltage/current)				
Additional functions					
Overload protection	105% of rated output current typ., trailing, automatic reset				
Overvoltage protection	120% of rated output voltage typ., shut off, reset by reapplication of input				
Remote sensing	Yes				
Remote control	No			Yes	

(This table continues on the next page.)

Specifications Table - continued from previous page

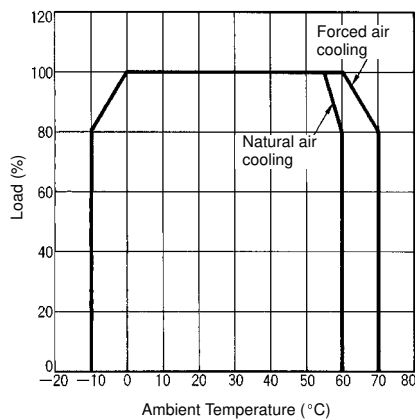
Power ratings	30 W	60 W	100 W	150 W
Characteristics				
Operating temperature	See Derating Curve in <i>Engineering Data</i>			
Storage temperature	-20° to 85°C (-4° to 185°F)			
Humidity	30 to 90% (storage humidity: 20 to 95%)			
Dielectric strength	2200 VAC, 50/60 Hz, for 1 minute (between input terminals and output terminals/housing) 500 VDC for 1 minute (between output terminals and input terminals/housing)			
Insulation resistance	100 MΩ min. (between output terminals and input terminals/housing)			
Vibration	10 to 55 Hz, 0.75 mm double amplitude (approx. 4.5 G) in 3 directions, respectively for 2 hours			
Shock	294 m/s ² 294 m/s ² (30 G) in 6 directions, respectively 3 times			
Output indicator	Red LED			
Electro Magnetic Interference	FCC Class B			
Mean Time Between Failures	100,000 hours min.			
Approved standards	UL (E105544), CSA (LR63986), VDE 0160			
Weight	750 g max.	850 g max.	1,100 g max.	2,000 g max.

Note: A surge absorber is provided for the input circuit. To test the dielectric strength and insulation resistance of the power supply, remove the short bar attached across the FG and ACG terminals.

Engineering Data

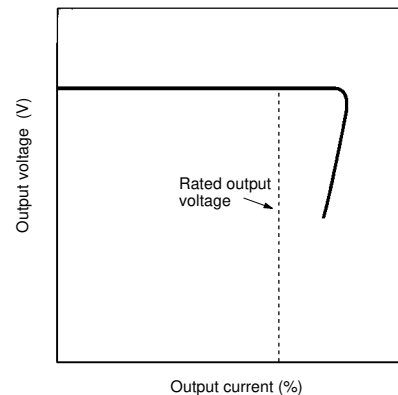
■ DERATING CURVE

Note: The derating curve differs depending on the mounting position of the Power Supply. The curve shown here was obtained with the Power Supply mounted in the standard position.

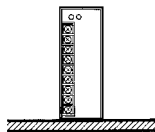


■ OVERLOAD PROTECTION

The power supply is provided with an overload protection function that protects the load and the power supply from possible damages by overcurrent. When the output current rises above a set value (105 to 135% of the rated output current), the protection function is effected, decreasing the output voltage. When the output current falls within the rated range, the overload protection function is automatically cleared.



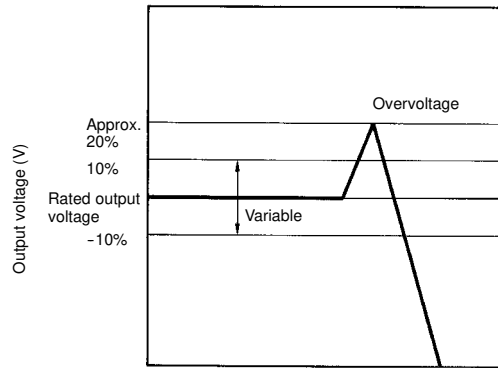
Mounting Position - Standard Installation



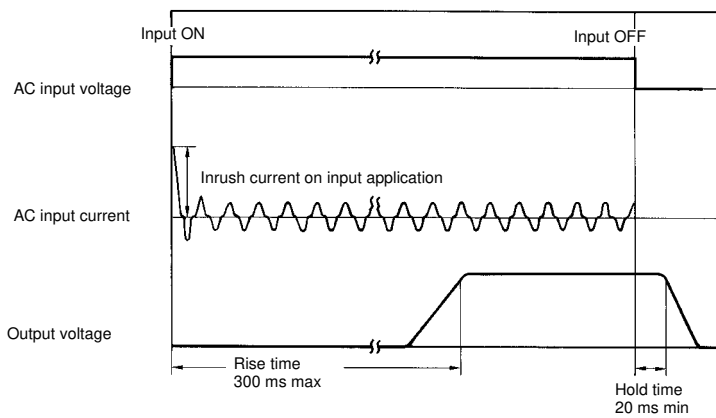
OVERVOLTAGE PROTECTION

The power supply is also provided with an overvoltage protection function that protects the load from possible damage by overvoltage. When the output voltage of the power supply rises to about 120% of the rated value, this function is effected and the output voltage is shut off. To clear the protection function, turn off the input voltage once, wait for at least 20 seconds, and then turn on the input voltage.

Note: The output voltage can be varied by the V. ADJ adjuster of the front panel. When it is set to a value 10% higher than the rated value, the overvoltage protection function may be effected.

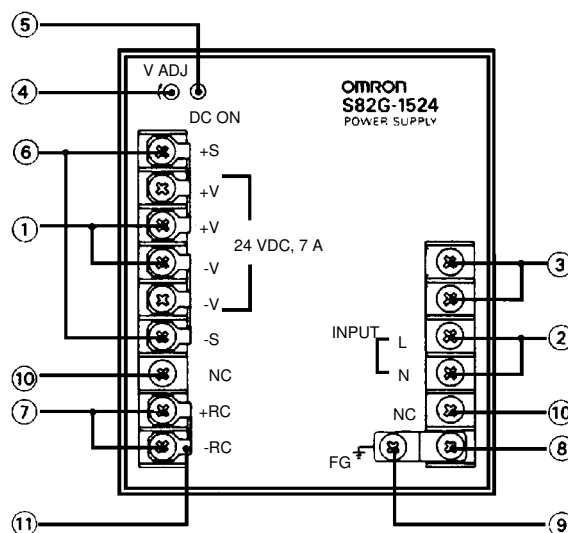
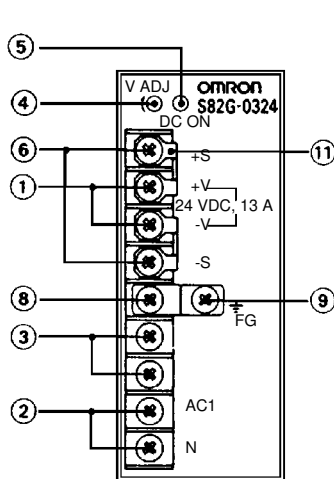


INRUSH CURRENT, RISE TIME, HOLD TIME



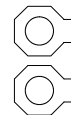
Nomenclature

- S82G-03□□
- S82G-06□□
- S82G-10□□
- S82G-15□□



1. **DC Output Terminals:** Connect load wiring.
2. **Input Terminals:** Connect input wiring.
3. **Input Voltage Selector Terminals:** Switch the input voltage by connecting or removing the short bar. (short circuited: 100 to 120 V; open: 200 to 240 V).
4. **V. ADJ Adjuster:** Use to adjust the output voltage.
5. **Output LED Indicator:** Lights when DC current is being output.
6. **Remote Sensing Terminals:** Correct the voltage drop in the load lines. Shorted for normal operation.
7. **Remote Control Terminals:** Turn the output ON or OFF, by using an external signal, with the input voltage applied.

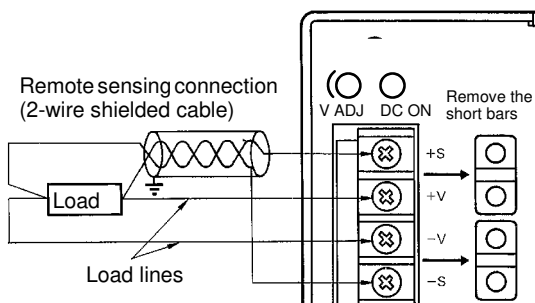
8. **ACG Terminal:** Input filter neutral terminal, which is usually short-circuited to the FG terminal.
9. **FG Terminal:** Short-circuited to the housing and is connected to a ground line.
10. **NC Terminal:** Vacant terminals.
11. **Short Bars:**



Operation

REMOTE SENSING FUNCTION

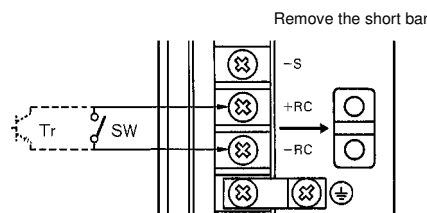
This function corrects a voltage drop in the load lines. When using the remote sensing function, remove the short bars from the remote sensing terminals as shown in the following diagram.



- Note:
1. When a high voltage drops occur on the load lines, the output voltage across the power terminals rises by the amount of the dropped voltage, causing the overvoltage protection function to be effected. To prevent this, use as thick a wire as possible.
 2. When the +S and +V terminals, or -V and -S terminals are opened with the short bar removed, the overvoltage protection function is effected and, as a result, no output voltage is produced.

REMOTE CONTROL FUNCTION

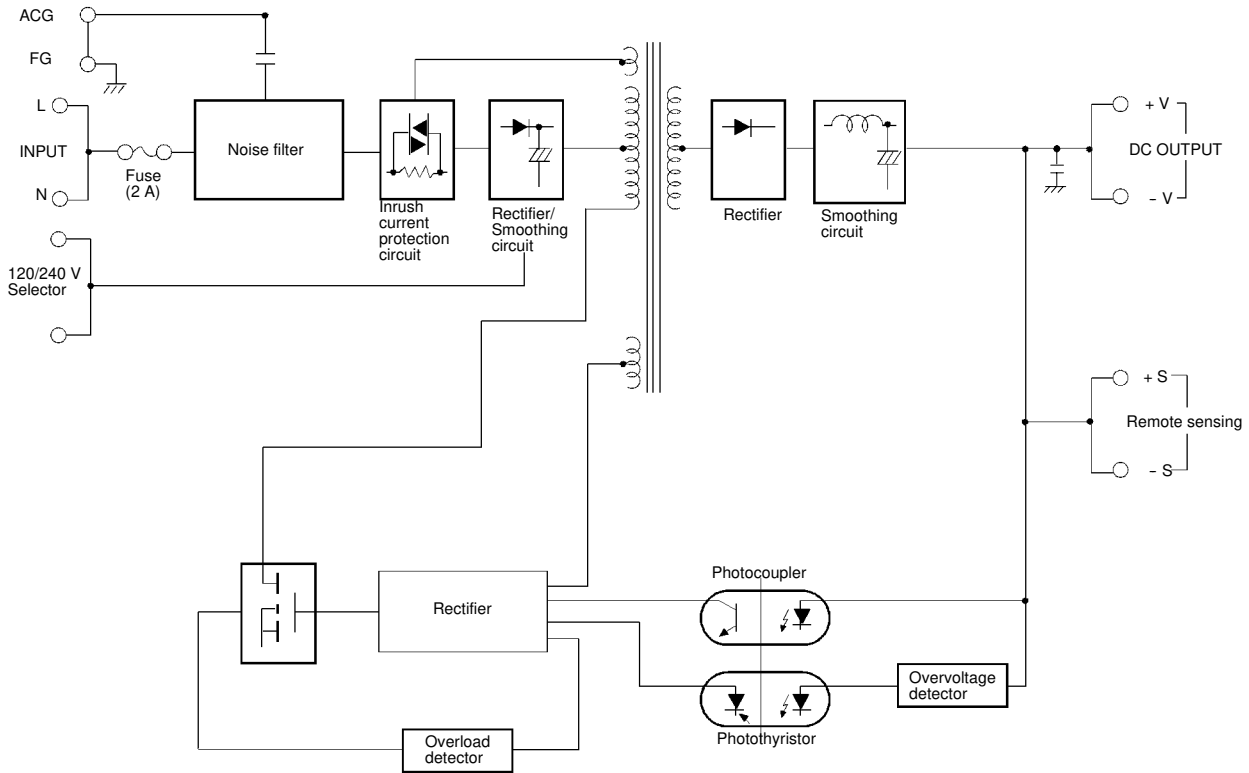
This function allows the output voltage to be turned on and off with an external signal (as long as the input voltage is being applied). When using the remote control function, remove the short bar (as set by the factory) from the remote control terminals and connect a switch or transistor, across those terminals, as shown in the diagram below



Switch or Transistor	Output voltage
ON	ON
OFF	OFF

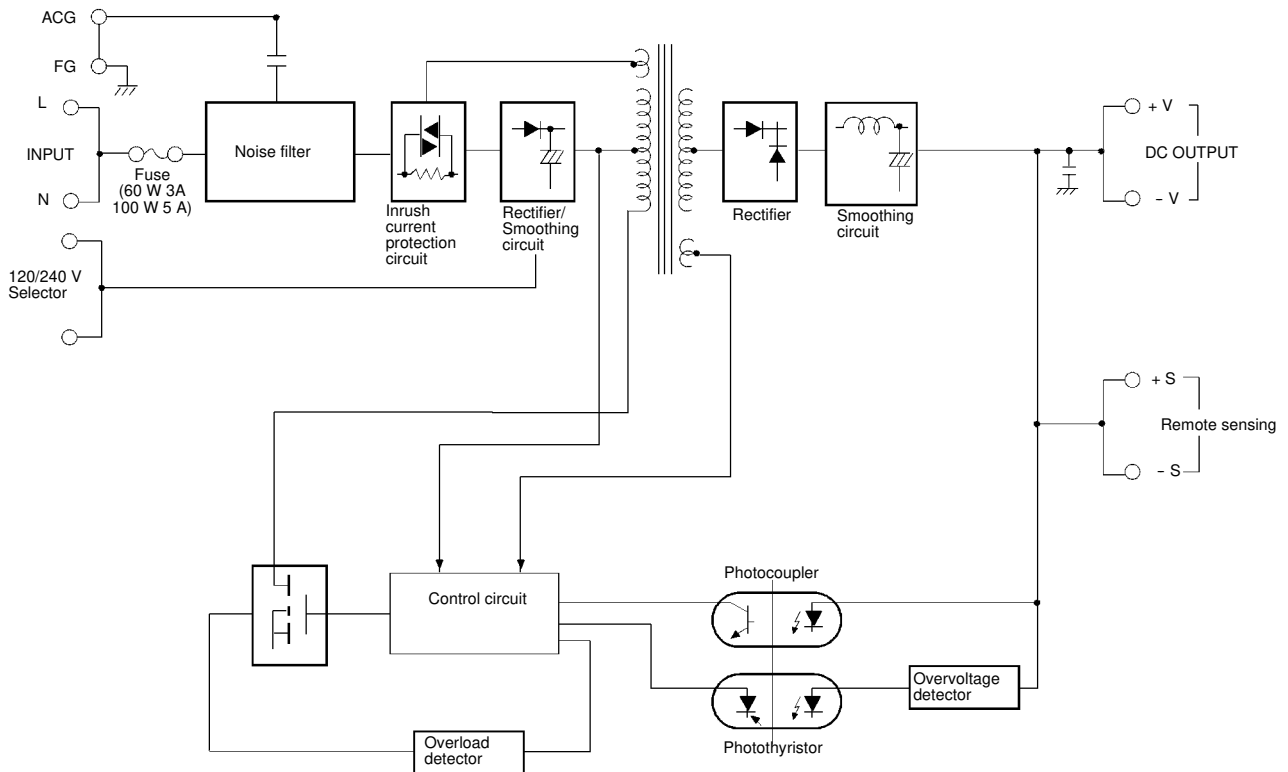
■ BLOCK DIAGRAM

S82G-03 □ □

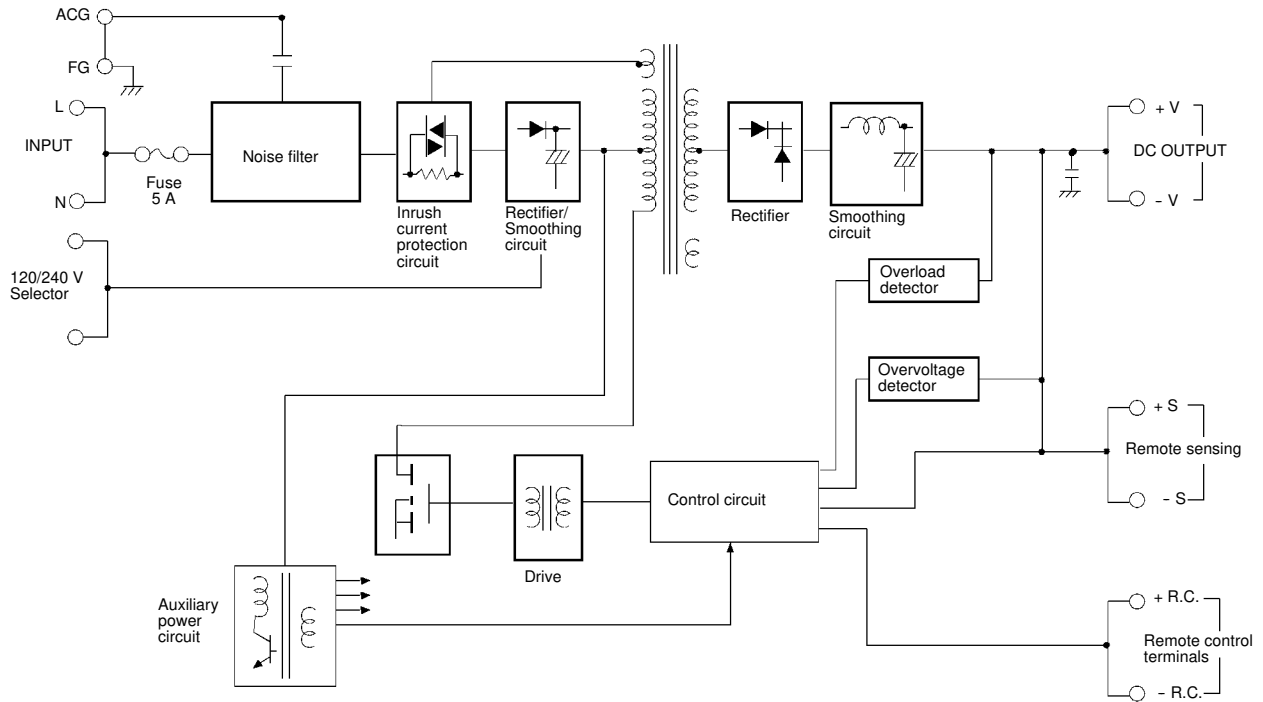


S82G-06 □ □

S82G-10 □ □

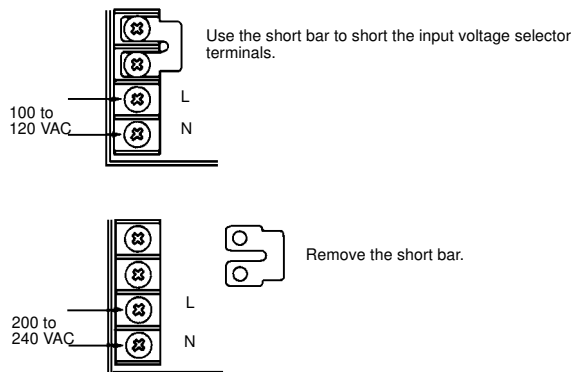


S82G-15□□



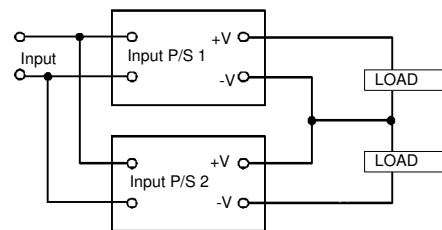
SWITCHING THE INPUT VOLTAGE BETWEEN 100 TO 120 V AND 200 TO 240 V

Select 120 and 240 V input voltage by shorting or opening the input voltage selector terminals, as shown in the diagram below. (Factory set to 240 V operation.)



GENERATING OUTPUT VOLTAGES (±)

S82G power supplies may be connected to provide (±) output voltages since the power supply produces floating output. See diagram below.

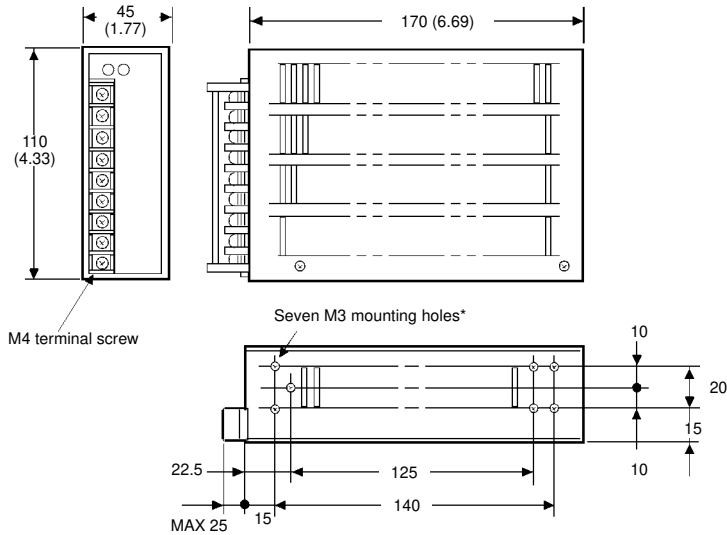


Dimensions

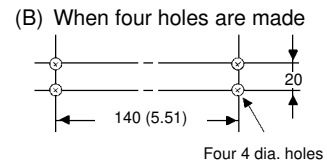
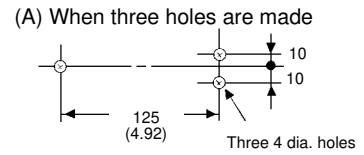
Unit: mm (inch)

SWITCHING POWER SUPPLIES

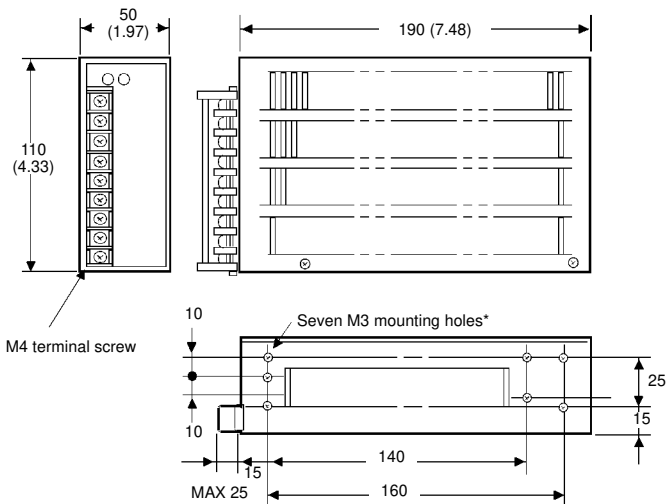
S82G-03



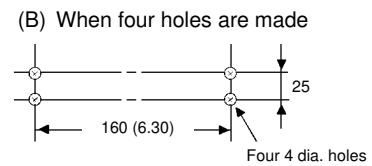
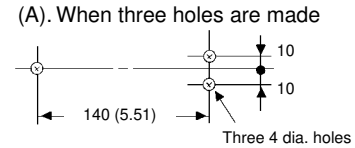
Mounting holes
(Bottom mounting)



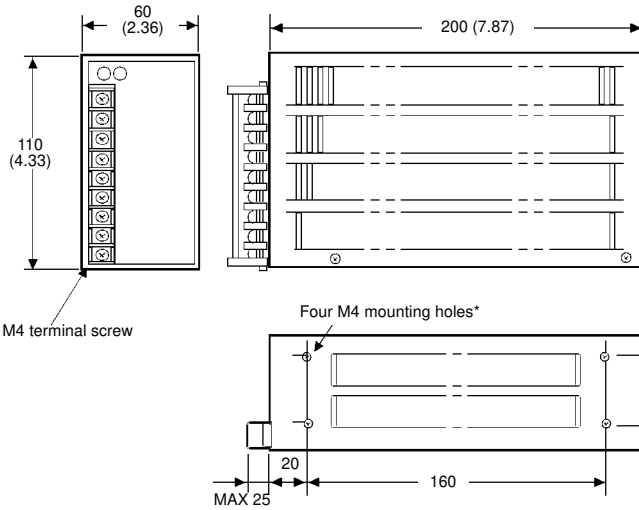
S82G-06



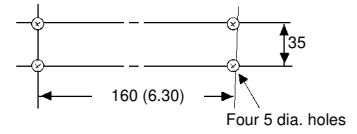
Mounting holes
(Bottom mounting)



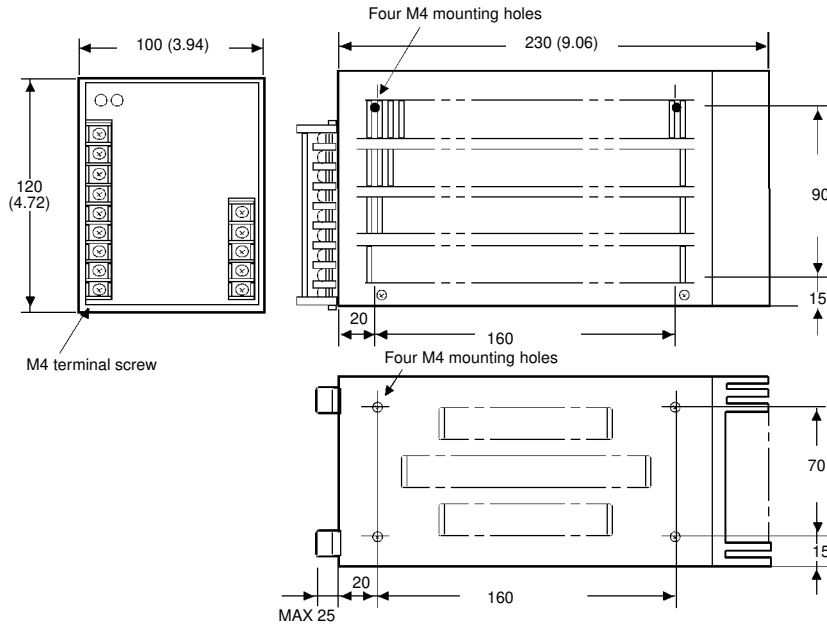
S82G-10 □ □



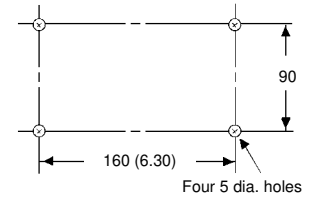
Mounting holes
Bottom mounting



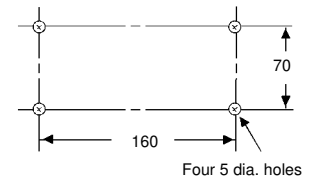
S82G-15 □ □



Mounting holes
Bottom mounting



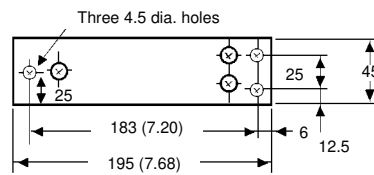
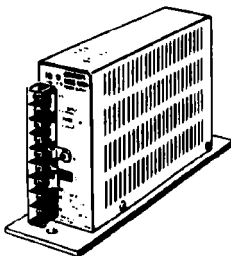
Mounting holes
Side mounting



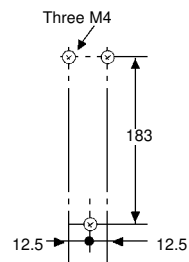
Note: Length of screw: 6 mm (excluding thickness of mounting plate)

■ **MOUNTING BRACKET (SOLD SEPARATELY)**

Bottom mounting
S82Y-G03B (30 W)



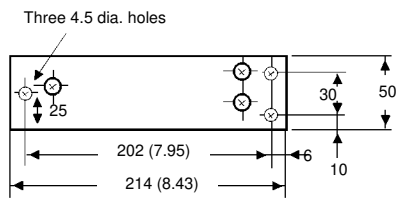
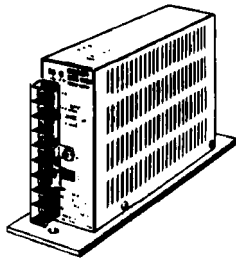
Mounting holes



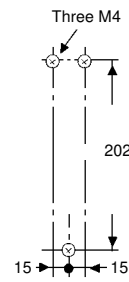
Note: To attach the mounting bracket to the power supply, use M3 x 6 flat head screws.

Unit: mm (inch)

S82Y-G06B (60 W)

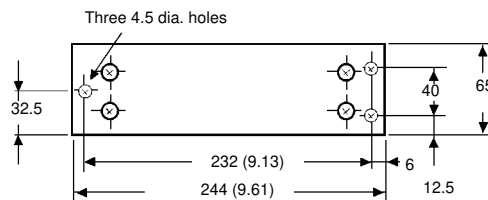
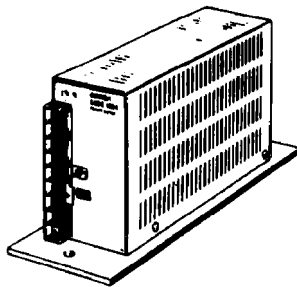


Mounting holes

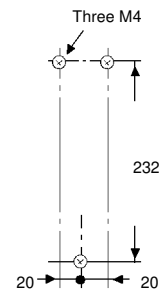


Note: To attach the mounting bracket to the power supply, use M3 x 6 flat head screws.

S82Y-CM1B (100W)

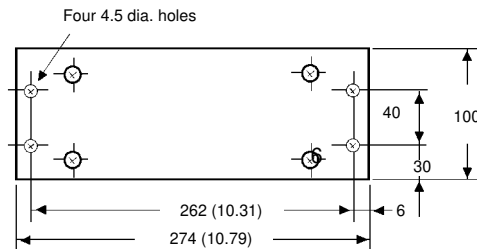
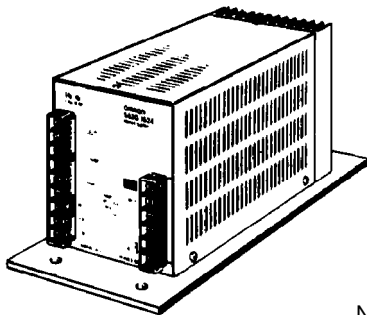


Mounting Holes

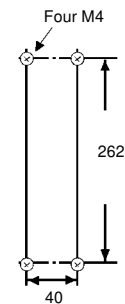


Note: To attach the mounting bracket to the power supply, use M4 x 8 flat head screws.

S82Y-C15B (150W)



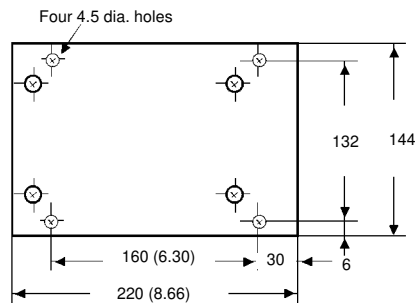
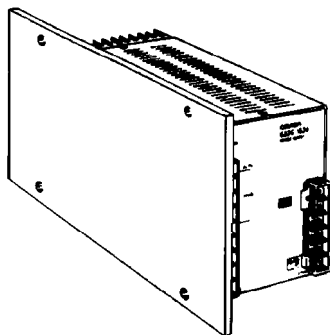
Mounting Holes



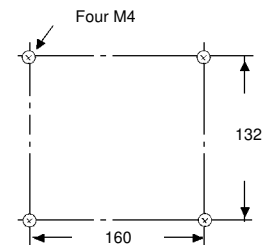
Note: To attach the mounting bracket to the power supply, use M4 x 8 flat head screws.

Side mounting

S82Y-CM1S (150W)



Mounting Holes



Note: To attach the mounting bracket to the power supply, use M4 x 8 flat head screws.

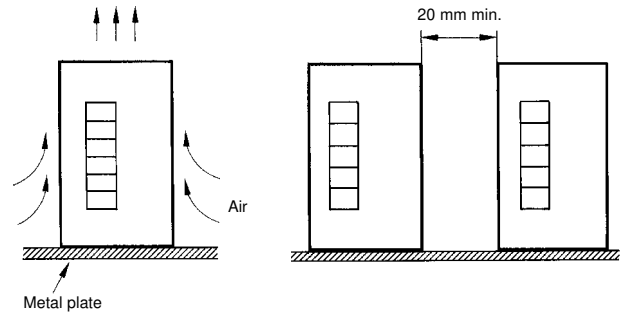
Precautions

■ MOUNTING

Providing adequate cooling when installing the power supply will extend its long-term reliability.

- Install the unit in a location with adequate air flow (as shown in the diagram included here) because the power supply is cooled by natural air flowing around it.
- Install the power supply on a metal plate.
- Use forced-air cooling.

- When installing two or more power supplies side-by-side, allow at least 20 mm (0.79 in) spacing between them, as shown in the diagram provided here.



NOTE: DIMENSIONS SHOWN ARE IN MILLIMETERS. To convert millimeters to inches divide by 25.4.

OMRON[®]
OMRON ELECTRONICS, INC.
One East Commerce Drive
Schaumburg, IL 60173
1-800-55-OMRON

OMRON CANADA, INC.
885 Milner Avenue
Scarborough, Ontario M1B 5V8
416-286-6465