



Chipsmall Limited consists of a professional team with an average of over 10 year of expertise in the distribution of electronic components. Based in Hongkong, we have already established firm and mutual-benefit business relationships with customers from,Europe,America and south Asia,supplying obsolete and hard-to-find components to meet their specific needs.

With the principle of “Quality Parts,Customers Priority,Honest Operation,and Considerate Service”,our business mainly focus on the distribution of electronic components. Line cards we deal with include Microchip,ALPS,ROHM,Xilinx,Pulse,ON,Everlight and Freescale. Main products comprise IC,Modules,Potentiometer,IC Socket,Relay,Connector.Our parts cover such applications as commercial,industrial, and automotives areas.

We are looking forward to setting up business relationship with you and hope to provide you with the best service and solution. Let us make a better world for our industry!



Contact us

Tel: +86-755-8981 8866 Fax: +86-755-8427 6832

Email & Skype: info@chipsmall.com Web: www.chipsmall.com

Address: A1208, Overseas Decoration Building, #122 Zhenhua RD., Futian, Shenzhen, China



Customer Information Sheet

DRAWING No.: S8411-45R SHEET 3 OF 4

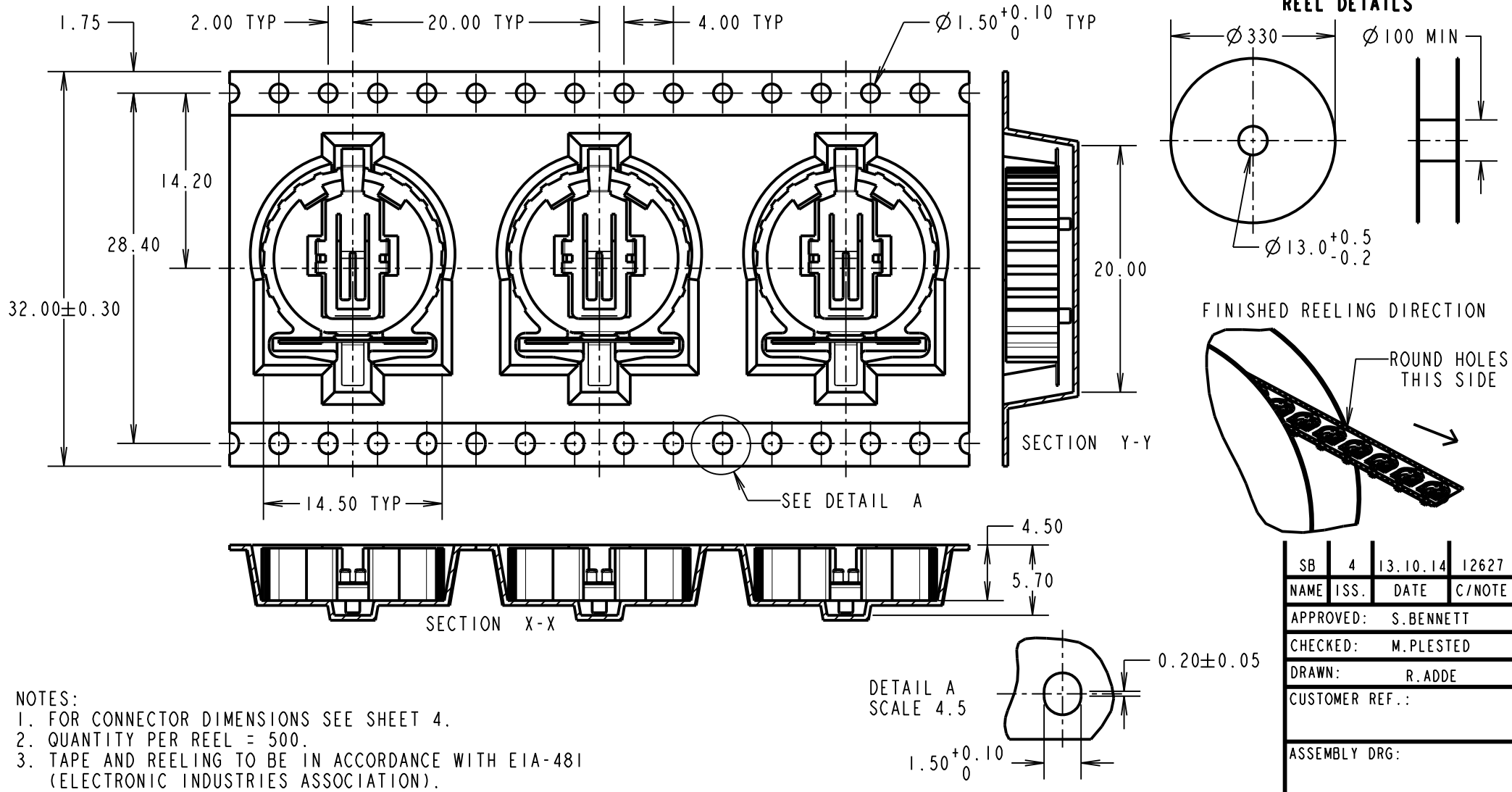
IF IN DOUBT - ASK

©

NOT TO SCALE

THIRD ANGLE PROJECTION

ALL DIMENSIONS IN mm



- NOTES:
- FOR CONNECTOR DIMENSIONS SEE SHEET 4.
 - QUANTITY PER REEL = 500.
 - TAPE AND REELING TO BE IN ACCORDANCE WITH EIA-481 (ELECTRONIC INDUSTRIES ASSOCIATION).

SB	4	13.10.14	12627
NAME	ISS.	DATE	C/NOTE
APPROVED:		S.BENNETT	
CHECKED:		M.PLESTED	
DRAWN:		R.ADDE	
CUSTOMER REF.:			
ASSEMBLY DRG:			

HARWIN

www.harwin.com
technical@harwin.com

THIS DRAWING AND ANY INFORMATION OR DESCRIPTIVE MATTER SET OUT HEREON ARE CONFIDENTIAL AND COPYRIGHT PROPERTY OF THE HARWIN GROUP AND MUST NOT BE DISCLOSED, LOANED, COPIED OR USED FOR MANUFACTURING, TENDERING OR FOR ANY OTHER PURPOSE WITHOUT THEIR WRITTEN PERMISSION.

TOLERANCES
X. = ±1mm
X.X = ±0.25mm
X.XX = ±0.10mm
X.XXX = ±0.01mm
ANGLES = ±5°
UNLESS STATED

MATERIAL:
SEE SHEET 4
FINISH: SEE SHEET 4
S/AREA: mm²

TITLE:
SMT COIN CELL HOLDER
FOR CR1220, TAPE & REELED
DRAWING NUMBER:
S8411-45R
SHT
3 OF 4

Customer Information Sheet

DRAWING No.: S8411-45R

SHEET 4 OF 4

IF IN DOUBT - ASK

©

NOT TO SCALE

THIRD ANGLE PROJECTION

ALL DIMENSIONS IN mm

SPECIFICATIONS:

MATERIAL:

MOULDING: PPS, UL94V-0, BROWN

CONTACT: PHOSPHOR BRONZE

FINISH:

CONTACTS = GOLD FLASH OVER NICKEL

ELECTRICAL:

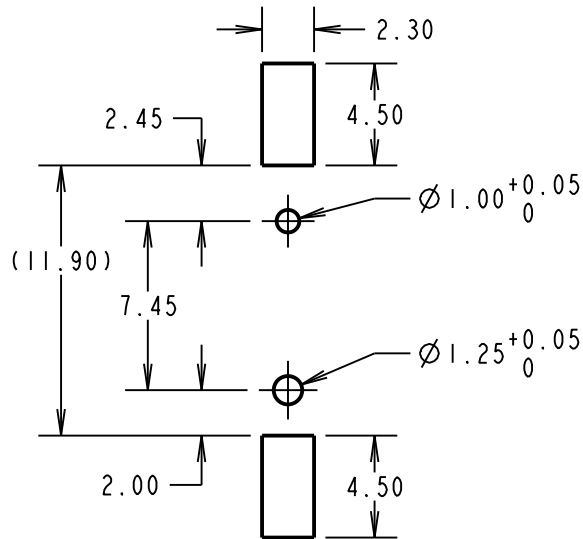
CONTACT RESISTANCE = $12m\Omega$

INSULATION RESISTANCE = $500M\Omega$

DIELECTRIC VOLTAGE = 500V AC FOR 1 MINUTE

ENVIRONMENTAL:

OPERATING TEMPERATURE = $-55^{\circ}C$ TO $+105^{\circ}C$



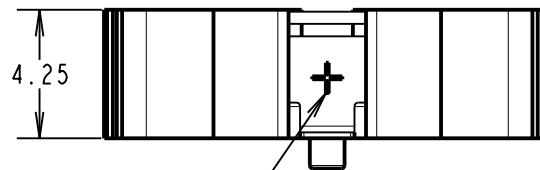
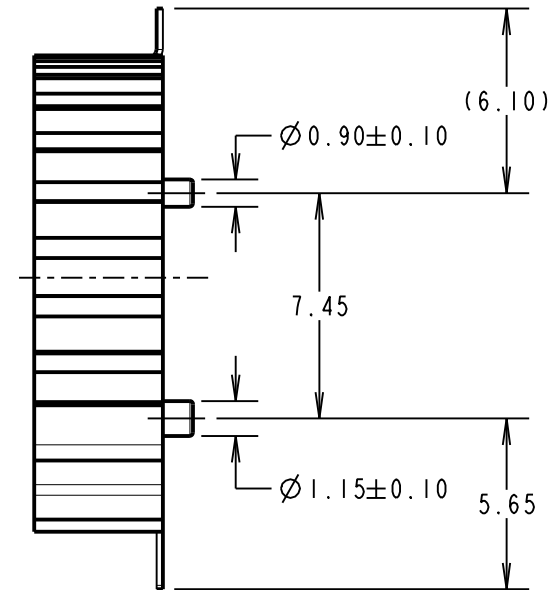
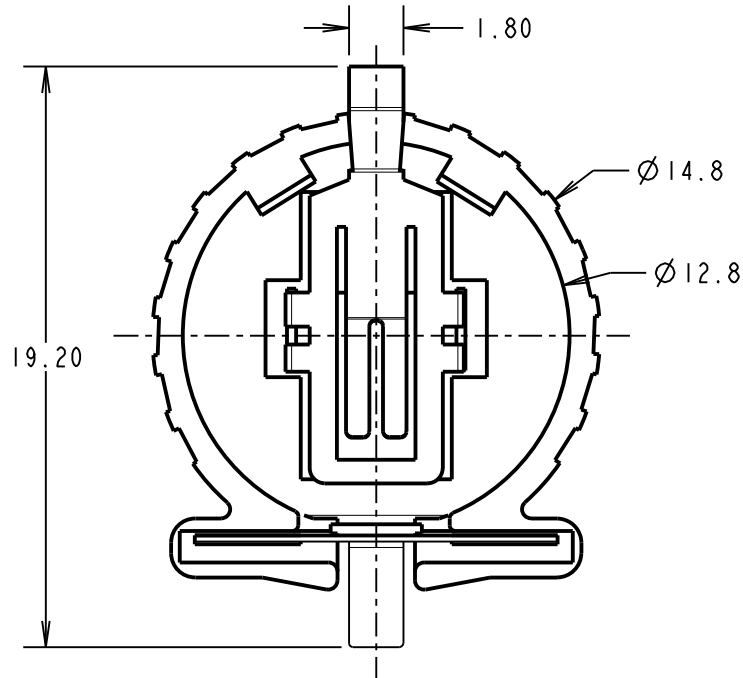
RECOMMENDED PCB LAYOUT

NOTES:

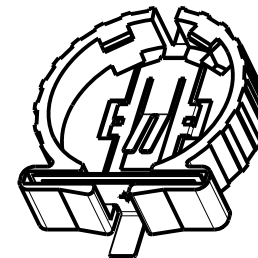
1. SUITABLE FOR THE FOLLOWING COIN CELL: CR1220.

2. ALL TOLERANCES ARE: X.X = ± 0.25

X.XX = ± 0.20 UNLESS OTHERWISE STATED.



POLARITY MARKING, FOR DRAWING ILLUSTRATION ONLY



SB	4	13.10.14	12627
NAME	ISS.	DATE	C/NOTE
APPROVED:		S.BENNETT	
CHECKED:		M.PLESTED	
DRAWN:		R.ADDE	
CUSTOMER REF.:			
ASSEMBLY DRG:			

HARWIN

www.harwin.com
technical@harwin.com

THIS DRAWING AND ANY INFORMATION OR DESCRIPTIVE MATTER SET OUT HEREON ARE CONFIDENTIAL AND COPYRIGHT PROPERTY OF THE HARWIN GROUP AND MUST NOT BE DISCLOSED, LOANED, COPIED OR USED FOR MANUFACTURING, TENDERING OR FOR ANY OTHER PURPOSE WITHOUT THEIR WRITTEN PERMISSION.

TOLERANCES
X = $\pm 1mm$
X.X = $\pm 0.25mm$
X.XX = $\pm 0.10mm$
X.XXX = $\pm 0.01mm$
ANGLES = $\pm 5^{\circ}$
UNLESS STATED

MATERIAL:

SEE ABOVE

FINISH: SEE ABOVE

S/AREA:

mm²

TITLE:

SMT COIN CELL HOLDER
FOR CR1220, TAPE & REELED

DRAWING NUMBER:

S8411-45R

SHT
4
OF
4