



Chipsmall Limited consists of a professional team with an average of over 10 year of expertise in the distribution of electronic components. Based in Hongkong, we have already established firm and mutual-benefit business relationships with customers from,Europe,America and south Asia,supplying obsolete and hard-to-find components to meet their specific needs.

With the principle of “Quality Parts,Customers Priority,Honest Operation,and Considerate Service”,our business mainly focus on the distribution of electronic components. Line cards we deal with include Microchip,ALPS,ROHM,Xilinx,Pulse,ON,Everlight and Freescale. Main products comprise IC,Modules,Potentiometer,IC Socket,Relay,Connector.Our parts cover such applications as commercial,industrial, and automotives areas.

We are looking forward to setting up business relationship with you and hope to provide you with the best service and solution. Let us make a better world for our industry!



Contact us

Tel: +86-755-8981 8866 Fax: +86-755-8427 6832

Email & Skype: info@chipsmall.com Web: www.chipsmall.com

Address: A1208, Overseas Decoration Building, #122 Zhenhua RD., Futian, Shenzhen, China



Customer Information Sheet

DRAWING No.: S8421-45R

SHEET 3 OF 4

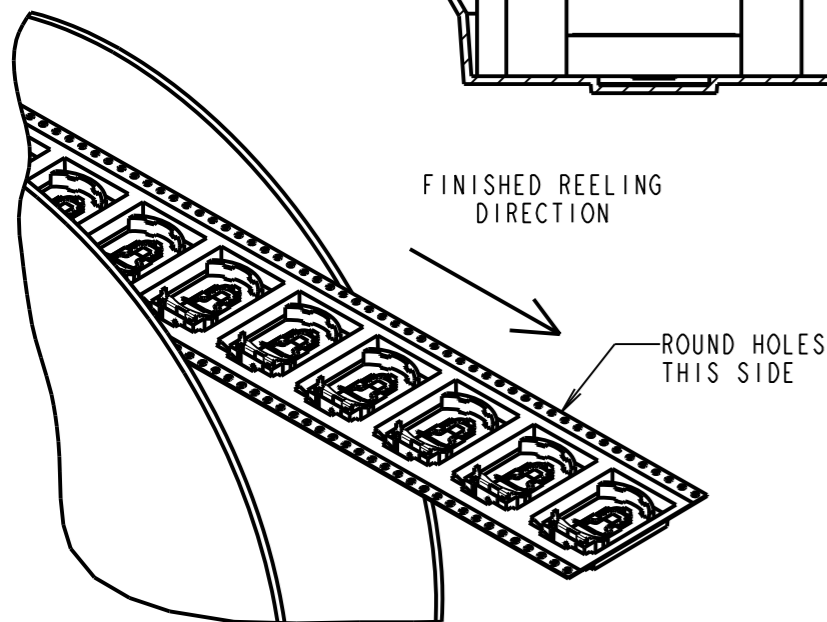
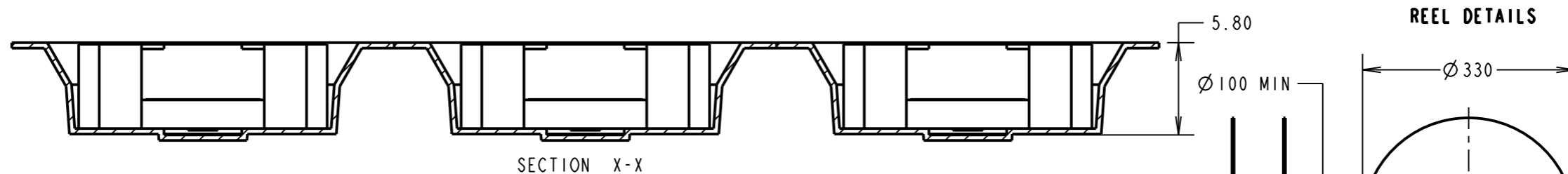
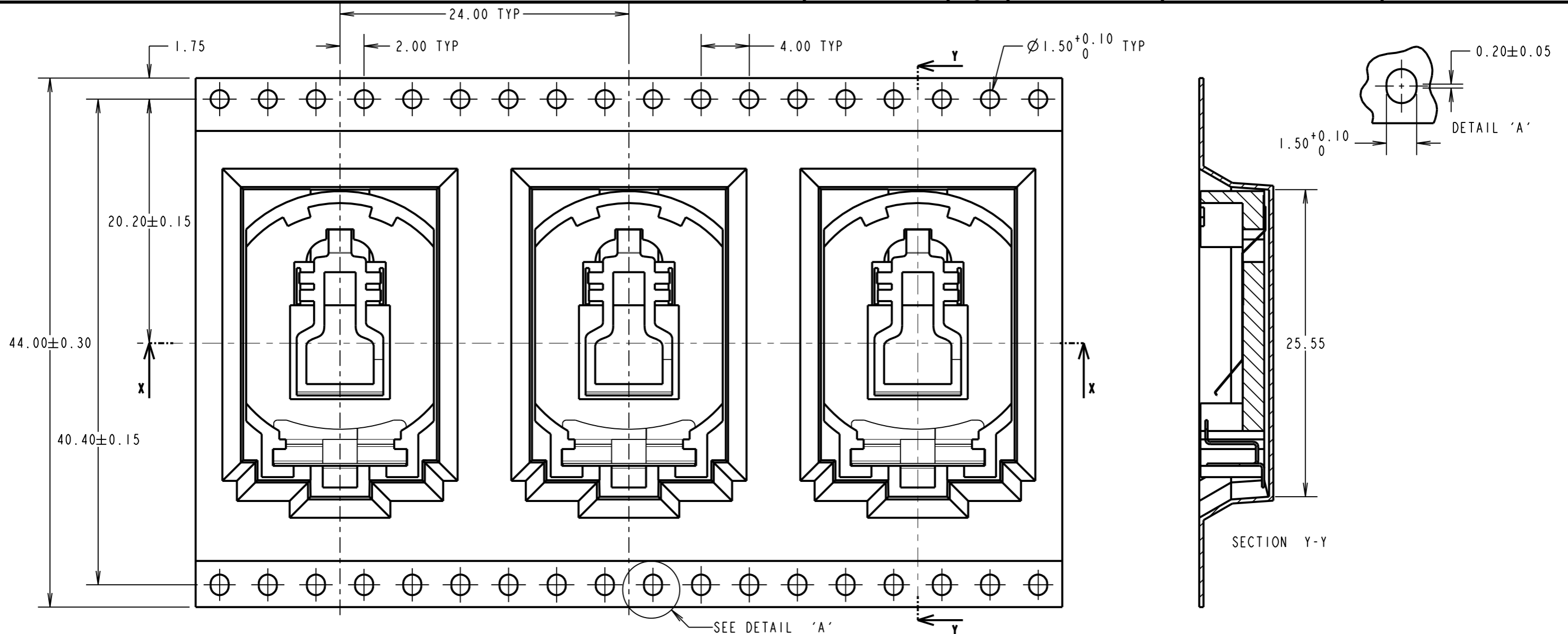
IF IN DOUBT - ASK

©

NOT TO SCALE

THIRD ANGLE PROJECTION

ALL DIMENSIONS IN mm



NOTES:

1. FOR CONNECTOR DETAILS SEE SHEET 4.
2. QUANTITY PER REEL = 500.
3. TAPE AND REELING TO BE IN ACCORDANCE WITH EIA-481 (ELECTRONIC INDUSTRIES ASSOCIATION)

MSP	4	17.01.17	12886
NAME	ISS.	DATE	C/NOTE
APPROVED:		M. PERREN	
CHECKED:		S. BENNETT	
DRAWN:		R. ADDE	
CUSTOMER REF.:			
ASSEMBLY DRG:			

<p>www.harwin.com technical@harwin.com</p>	<p>THIS DRAWING AND ANY INFORMATION OR DESCRIPTIVE MATTER SET OUT HEREON ARE CONFIDENTIAL AND COPYRIGHT PROPERTY OF THE HARWIN GROUP AND MUST NOT BE DISCLOSED, LOANED, COPIED OR USED FOR MANUFACTURING, TENDERING OR FOR ANY OTHER PURPOSE WITHOUT THEIR WRITTEN PERMISSION.</p>	<p>TOLERANCES</p> <p>X. = ± 1mm X.X = ± 0.25mm X.XX = ± 0.10mm X.XXX = ± 0.01mm</p> <p>ANGLES = $\pm 5^\circ$ UNLESS STATED</p>	<p>MATERIAL:</p> <p>SEE SHEET 1</p>	<p>TITLE:</p> <p>SMT COIN CELL HOLDER FOR CR2032 TAPE & REELED</p>
		<p>FINISH:</p> <p>SEE SHEET 1</p>	<p>S/AREA:</p> <p>mm²</p>	<p>DRAWING NUMBER:</p> <p>S8421-45R</p>

Customer Information Sheet

DRAWING No.: S8421-45R SHEET 4 OF 4

IF IN DOUBT - ASK

Ⓒ

NOT TO SCALE

THIRD ANGLE PROJECTION

ALL DIMENSIONS IN mm

SPECIFICATIONS:

MATERIAL:

MOULDING: PPS 30% G/F, UL94V-0, BROWN

CONTACT: PHOSPHOR BRONZE

FINISH:

CONTACTS = GOLD

ELECTRICAL:

CONTACT RESISTANCE = 12mΩ

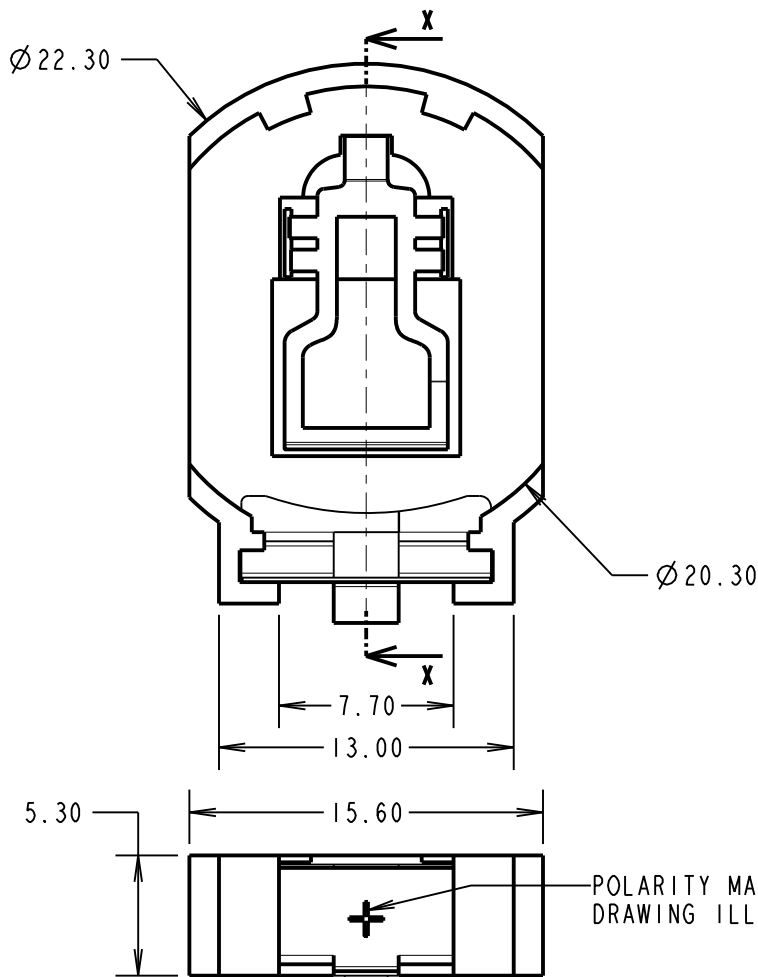
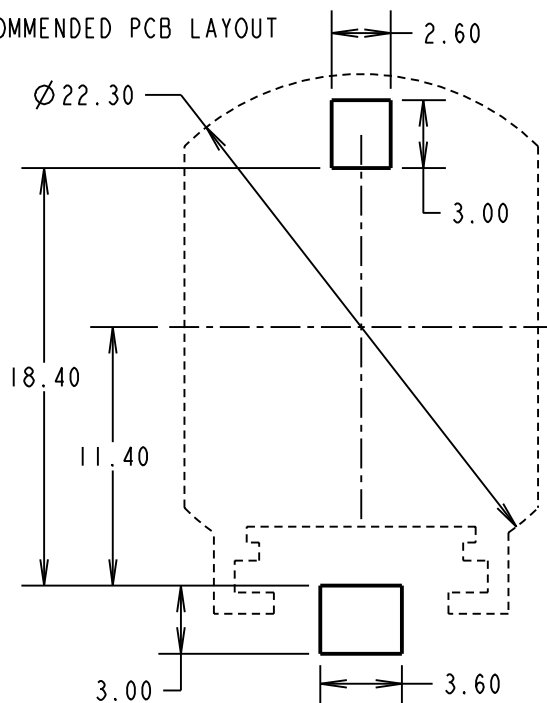
INSULATION RESISTANCE = 500MΩ

DIELECTRIC VOLTAGE = 500V AC FOR 1 MINUTE

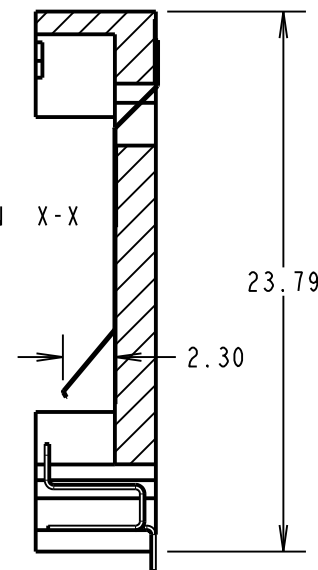
ENVIRONMENTAL:

OPERATING TEMPERATURE = -40°C TO +105°C

RECOMMENDED PCB LAYOUT



SECTION X-X



MSP	4	17.01.17	12886
NAME	ISS.	DATE	C/NOTE
APPROVED:		M. PERREN	
CHECKED:		S. BENNETT	
DRAWN:		R. ADDE	
CUSTOMER REF.:			
ASSEMBLY DRG:			

NOTES:

- SUITABLE FOR THE FOLLOWING COIN CELL: CR2032.
- ALL TOLERANCES ARE ±0.20 UNLESS OTHERWISE STATED.

HARWIN

www.harwin.com
technical@harwin.com

THIS DRAWING AND ANY INFORMATION OR DESCRIPTIVE MATTER SET OUT HEREON ARE CONFIDENTIAL AND COPYRIGHT PROPERTY OF THE HARWIN GROUP AND MUST NOT BE DISCLOSED, LOANED, COPIED OR USED FOR MANUFACTURING, TENDERING OR FOR ANY OTHER PURPOSE WITHOUT THEIR WRITTEN PERMISSION.

TOLERANCES

~~X. = ±1mm
X.X = ±0.50mm
X.XX = ±0.10mm
X.XXX = ±0.01mm
ANGLES = ±5°
UNLESS STATED~~

MATERIAL:

SEE ABOVE

FINISH: SEE ABOVE

S/AREA: mm²

TITLE:

COIN CELL HOLDER
FOR CR2032

DRAWING NUMBER:

S8421-45R

SHT
4
OF
4