



Chipsmall Limited consists of a professional team with an average of over 10 year of expertise in the distribution of electronic components. Based in Hongkong, we have already established firm and mutual-benefit business relationships with customers from,Europe,America and south Asia,supplying obsolete and hard-to-find components to meet their specific needs.

With the principle of "Quality Parts,Customers Priority,Honest Operation,and Considerate Service",our business mainly focus on the distribution of electronic components. Line cards we deal with include Microchip,ALPS,ROHM,Xilinx,Pulse,ON,Everlight and Freescale. Main products comprise IC,Modules,Potentiometer,IC Socket,Relay,Connector.Our parts cover such applications as commercial,industrial, and automotives areas.

We are looking forward to setting up business relationship with you and hope to provide you with the best service and solution. Let us make a better world for our industry!



Contact us

Tel: +86-755-8981 8866 Fax: +86-755-8427 6832

Email & Skype: info@chipsmall.com Web: www.chipsmall.com

Address: A1208, Overseas Decoration Building, #122 Zhenhua RD., Futian, Shenzhen, China



Customer Information Sheet

DRAWING No.: S9001-XXR

SHEET 2 OF 2

IF IN DOUBT - ASK

©

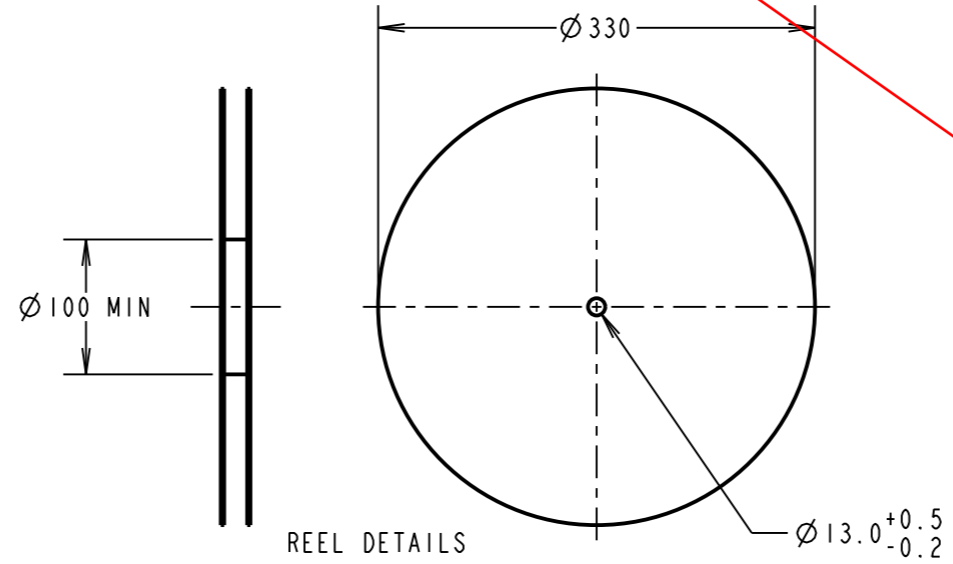
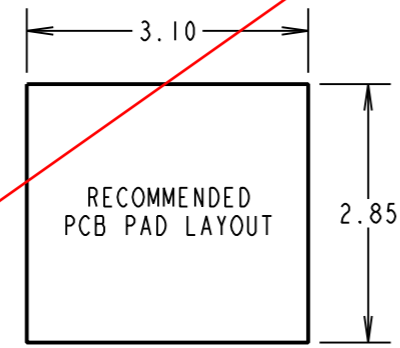
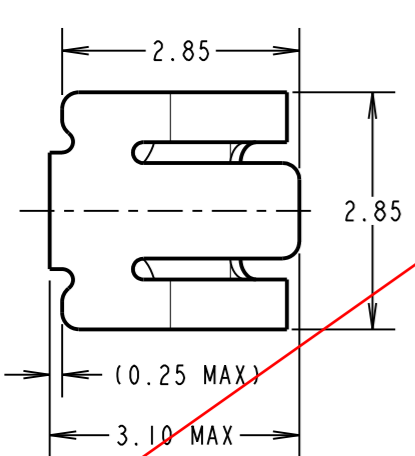
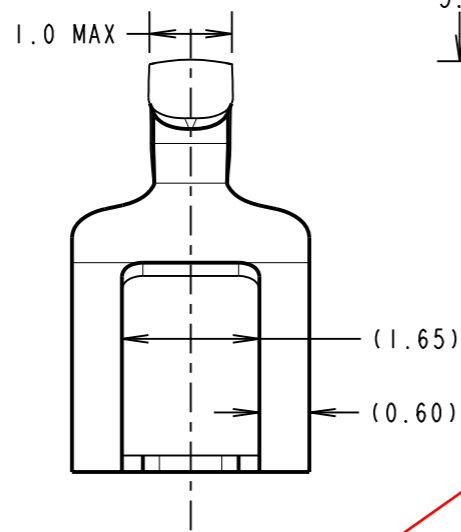
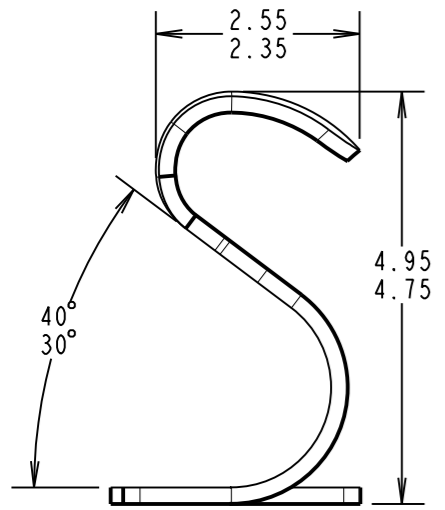
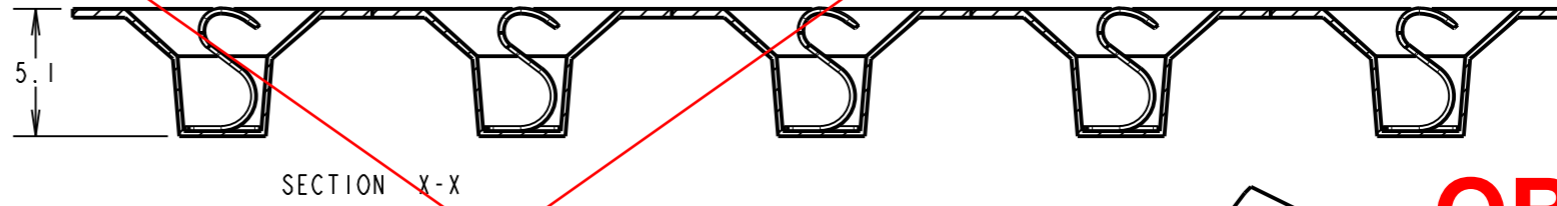
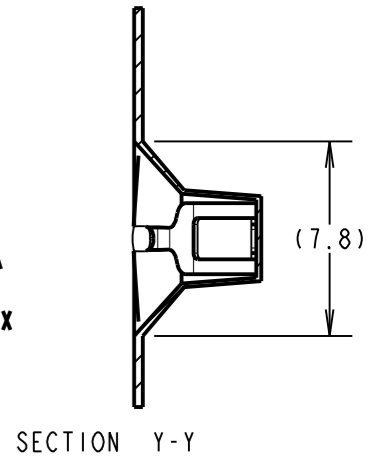
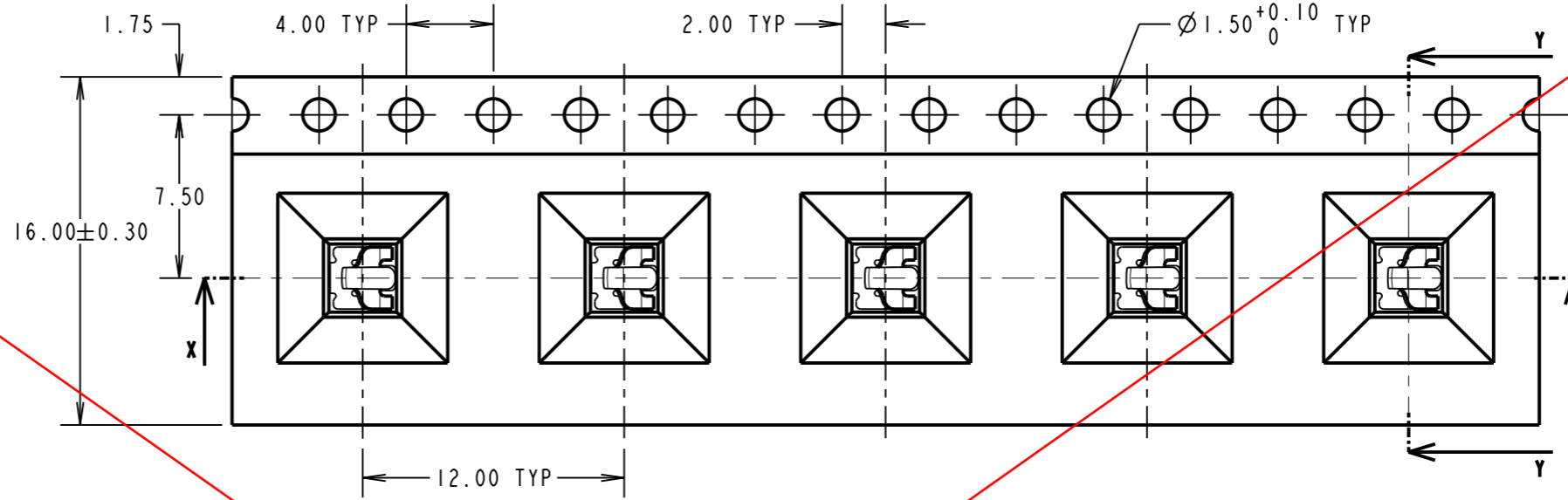
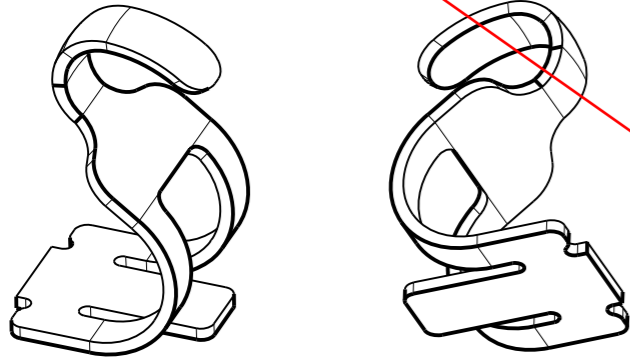
NOT TO SCALE

THIRD ANGLE PROJECTION

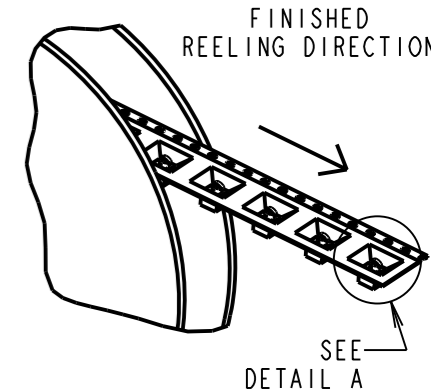
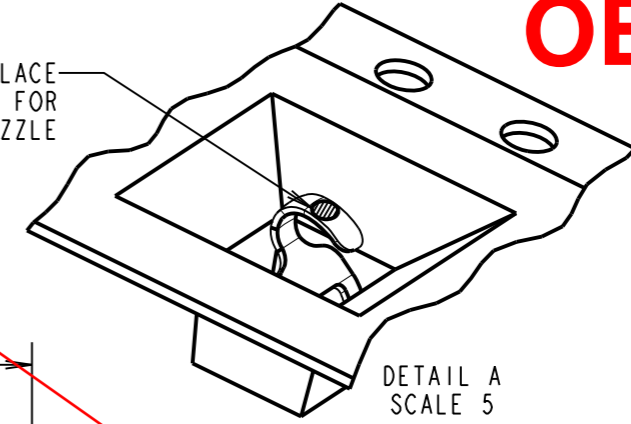
ALL DIMENSIONS IN mm

NOTES:

1. SPRING FORCE WHEN DEPRESSED BY:
0.5mm = 5N MIN, 11N MAX, 1.0mm = 10N MIN, 14N MAX.
2. CONTACT SUITABLE FOR PICK AND PLACEMENT.
3. QUANTITY OF COMPONENTS PER REEL = 900.



PICK AND PLACE AREA SUITABLE FOR Ø 0.8 MAX NOZZLE



OBSOLETE

ORDER CODE:
S9001-XXR
FINISH:
05 - 0.10 - 0.20µ GOLD
46 - 2.00 - 3.00µ 100% TIN

SB	5	01.12.14	12709
NAME	ISS.	DATE	C/NOTE
APPROVED:		S.BENNETT	
CHECKED:		S.FLOWER	
DRAWN:		S.FLOWER	
CUSTOMER REF.:			
ASSEMBLY DRG:			

SPECIFICATION:
ELECTRICAL:
CURRENT RATING = 2A

HARWIN
www.harwin.com
technical@harwin.com

THIS DRAWING AND ANY INFORMATION OR DESCRIPTIVE MATTER SET OUT HEREON ARE CONFIDENTIAL AND COPYRIGHT PROPERTY OF THE HARWIN GROUP AND MUST NOT BE DISCLOSED, LOANED, COPIED OR USED FOR MANUFACTURING, TENDERING OR FOR ANY OTHER PURPOSE WITHOUT THEIR WRITTEN PERMISSION.

TOLERANCES
X. = ±1mm
X.X = ±0.50mm
X.XX = ±0.10mm
X.XXX = ±0.01mm
ANGLES = ±5°
UNLESS STATED

MATERIAL: STAINLESS STEEL
FINISH: SEE ORDER CODE
S/AREA: mm²

TITLE: SMT PRESSURE CONTACT IN TAPE AND REEL
DRAWING NUMBER: **S9001-XXR**
SHT 2 OF 2