



Chipsmall Limited consists of a professional team with an average of over 10 year of expertise in the distribution of electronic components. Based in Hongkong, we have already established firm and mutual-benefit business relationships with customers from,Europe,America and south Asia,supplying obsolete and hard-to-find components to meet their specific needs.

With the principle of “Quality Parts,Customers Priority,Honest Operation,and Considerate Service”,our business mainly focus on the distribution of electronic components. Line cards we deal with include Microchip,ALPS,ROHM,Xilinx,Pulse,ON,Everlight and Freescale. Main products comprise IC,Modules,Potentiometer,IC Socket,Relay,Connector.Our parts cover such applications as commercial,industrial, and automotives areas.

We are looking forward to setting up business relationship with you and hope to provide you with the best service and solution. Let us make a better world for our industry!



Contact us

Tel: +86-755-8981 8866 Fax: +86-755-8427 6832

Email & Skype: info@chipsmall.com Web: www.chipsmall.com

Address: A1208, Overseas Decoration Building, #122 Zhenhua RD., Futian, Shenzhen, China



Customer Information Sheet

DRAWING No.: S9131-45R

SHEET 2 OF 2

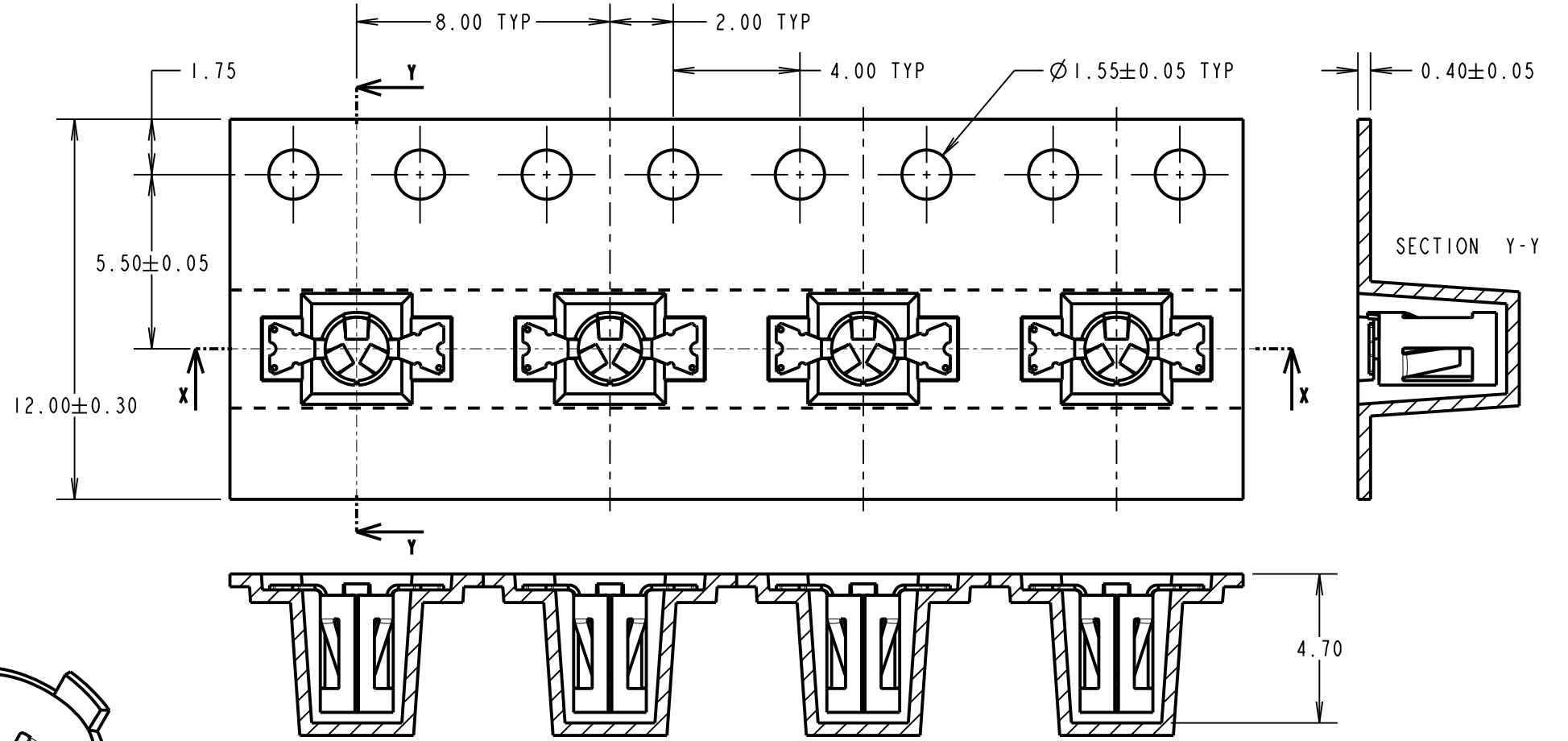
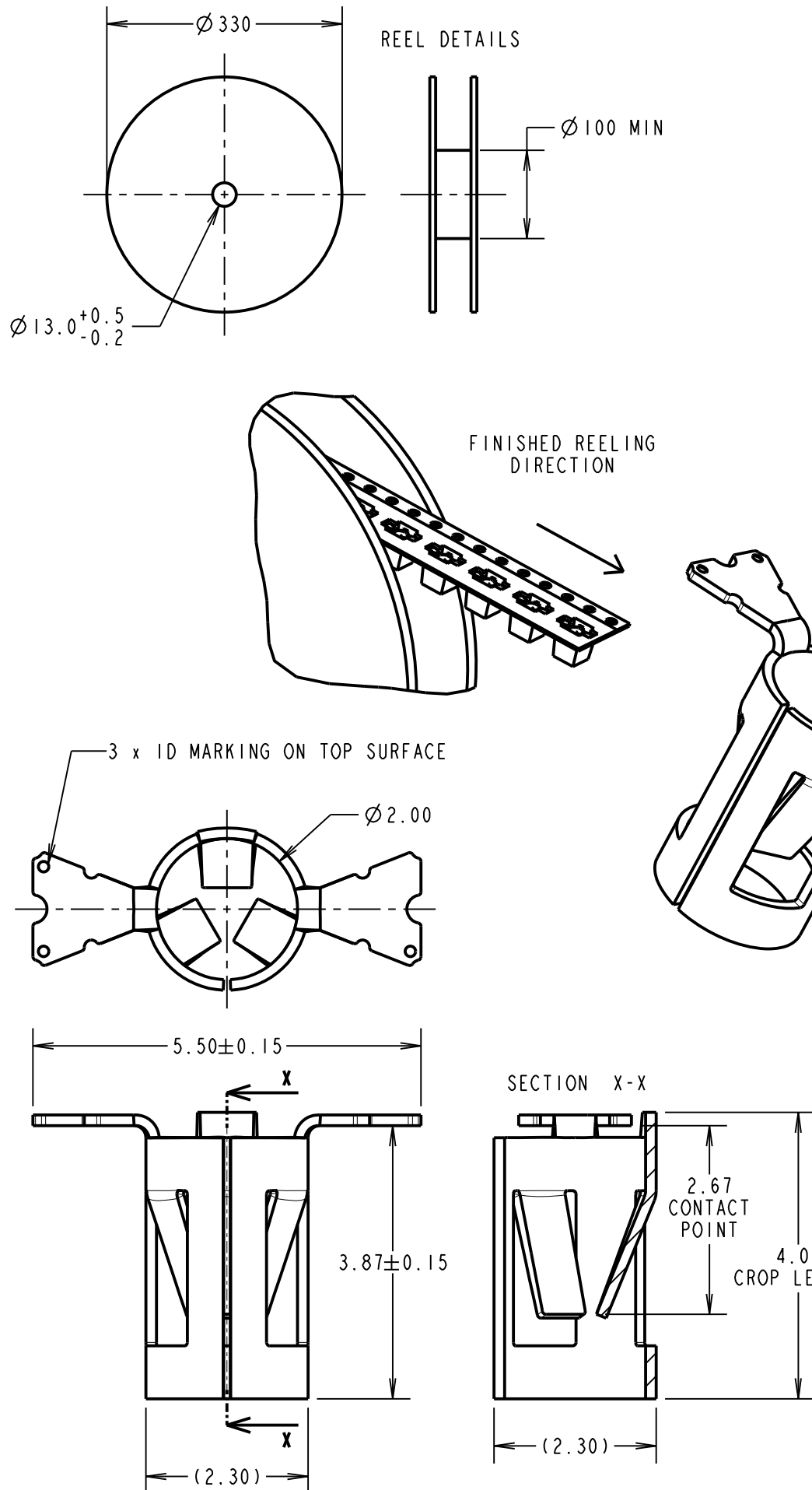
IF IN DOUBT - ASK

©

NOT TO SCALE

THIRD ANGLE PROJECTION

ALL DIMENSIONS IN mm

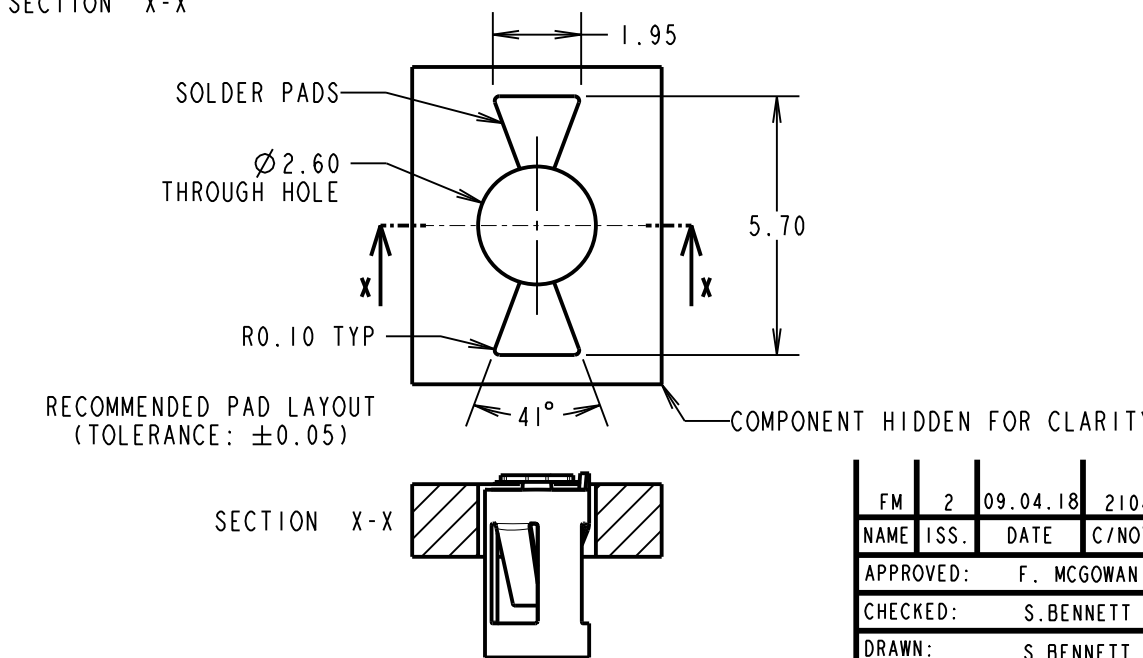


COMPONENT SPECIFICATION
 MATERIAL = BERYLLIUM COPPER
 FINISH = 0.10µm - 0.17µm GOLD OVER
 1.0µm MIN NICKEL

ELECTRICAL:
 CURRENT RATING = 6A
 CONTACT RESISTANCE = 15mΩ MAX

MECHANICAL:
 MAX INSERTION FORCE:
 Ø0.80mm PIN = 3.0N
 Ø1.00mm PIN = 4.5N
 Ø1.30mm PIN = 6.0N
 MIN WITHDRAWAL FORCE:
 Ø0.80mm PIN = 1.0N
 Ø1.00mm PIN = 1.0N
 Ø1.30mm PIN = 2.0N
 DURABILITY = 500 CYCLES

ENVIRONMENTAL:
 OPERATING TEMPERATURE = -50°C TO +125°C



NOTES:
 1. QUANTITY OF COMPONENTS PER REEL = 1400.
 2. THIS PRODUCT IS TAPED AND REELED IN GENERAL ACCORDANCE WITH EIA-481-2 (ELECTRONICS INDUSTRIES ASSOCIATION).

FM	2	09.04.18	21042
NAME	ISS.	DATE	C/NOTE
APPROVED:		F. MCGOWAN	
CHECKED:		S. BENNETT	
DRAWN:		S. BENNETT	
CUSTOMER REF.:			
ASSEMBLY DRG:			

<p>www.harwin.com technical@harwin.com</p>	<p>THIS DRAWING AND ANY INFORMATION OR DESCRIPTIVE MATTER SET OUT HEREON ARE CONFIDENTIAL AND COPYRIGHT PROPERTY OF THE HARWIN GROUP AND MUST NOT BE DISCLOSED, LOANED, COPIED OR USED FOR MANUFACTURING, TENDERING OR FOR ANY OTHER PURPOSE WITHOUT THEIR WRITTEN PERMISSION.</p>	<p>TOLERANCES</p> <p>X. = ±1mm X.X = ±0.50mm X.XX = ±0.10mm X.XXX = ±0.01mm</p> <p>ANGLES = ±5° UNLESS STATED</p>	<p>MATERIAL:</p> <p>SEE ABOVE</p> <p>FINISH: SEE ABOVE</p> <p>S/AREA: mm²</p>	<p>TITLE:</p> <p>SYCAMORE CONTACT Ø1.00mm TOP ENTRY SOCKET IN TAPE & REEL</p> <p>DRAWING NUMBER:</p> <p>S9131-45R</p>	<p>SHT</p> <p>2 OF 2</p>
		<p>ASSEMBLY DRG:</p>			