



Chipsmall Limited consists of a professional team with an average of over 10 year of expertise in the distribution of electronic components. Based in Hongkong, we have already established firm and mutual-benefit business relationships with customers from,Europe,America and south Asia,supplying obsolete and hard-to-find components to meet their specific needs.

With the principle of "Quality Parts,Customers Priority,Honest Operation,and Considerate Service",our business mainly focus on the distribution of electronic components. Line cards we deal with include Microchip,ALPS,ROHM,Xilinx,Pulse,ON,Everlight and Freescale. Main products comprise IC,Modules,Potentiometer,IC Socket,Relay,Connector.Our parts cover such applications as commercial,industrial, and automotives areas.

We are looking forward to setting up business relationship with you and hope to provide you with the best service and solution. Let us make a better world for our industry!



Contact us

Tel: +86-755-8981 8866 Fax: +86-755-8427 6832

Email & Skype: info@chipsmall.com Web: www.chipsmall.com

Address: A1208, Overseas Decoration Building, #122 Zhenhua RD., Futian, Shenzhen, China



S12 MagniV Mixed Signal MCUs S12VR Family

Integrated solution for Relay Driver (eg. Windowlift/sunroof)

Features

-  Relay Driver
-  Vreg for 12V Supply
-  Integrated LIN Phy
-  Ultra Reliable Industrial

Product One-Sheet

[Get Sample](#)

[Data Sheet](#)

[Tools](#)

System in a Package – Highly integrated part ideal for space constrained relay driven DC motors on LIN Bus

Low System Cost – Operating straight from car battery, integrated LIN phy, LS & HS drivers, HVI's for 12 V switch interfaces, EVDD for sensor supply reduce system, qualification and manufacturing cost.

High Reliability– High immunity to EMI and ESD stresses, LIN 2.x compliant with +/- 8 kV ESD capability.

Enablement – Supported by comprehensive hardware and software solution, which reduces development costs and time to market.

S12VR Specifications

Flash	16-64 KB	LS Driver	2 (for driving relays)
RAM	2-6 KB	HS Driver	1-2
EEPROM	128-512 B EE or 2-4 kB D-Flash	12V VREG	70 mA at 12 V
Core	S12	EVDD	1ch 5 V/20 mA (source)
Speed	25 Mhz	SCI/SPI	Up to 2/1
ADC	10 bit 10 channel	Packages	32 LQFP, 48 LQFP
HVI	4-6	Timer/PWM	4-ch. 16 bit/4-ch. 16 bit
LIN Phy	1	Op Range	5.5 V-18 V

Orderable Sample Part Numbers (superset)

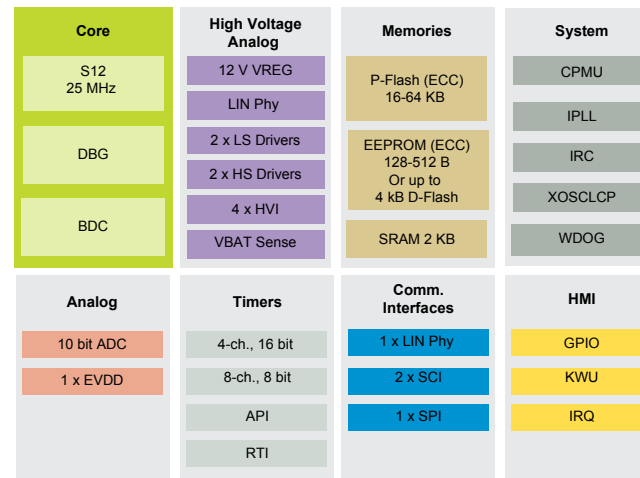
Part Number	Temp Range	Package
S9S12VR64AF0MLF	-40 to 125 °C	48 LQFP
S9S12VR64AF0MLC	-40 to 125 °C	32 LQFP
S9S12VR32F0MLC	-40 to 125 °C	32 LQFP
S9S12VRP64F0MLF	-40 to 125 °C	48 LQFP

www.nxp.com/S12VR

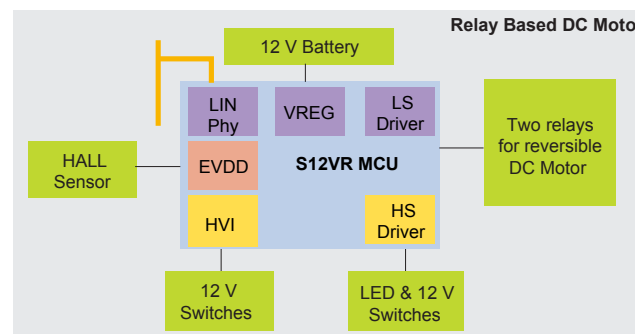
NXP and the NXP logo are trademarks of NXP B.V. All other product or service names are the property of their respective owners.
© 2018 NXP B.V.

Document Number: S12VRFS REV 0

Product Block Diagram



Application Example Block Diagram



Success Stories

- Anti Pinch Window-Lift and Sunroof Worldwide
- Power Lift Gate in Americas
- Seat Heating in China
- Small LIN node in Asia

Target Applications

- Anti-Pinch Window Lift
- Sunroof
- Automatic Doors
- Power Lift Gate
- Seat Adjustment
- Seat Heating
- Small LIN Node

Enablement Tools

- Evaluation Boards / Hardware
 - S12VR64EVB
 - S12VR32EVB
 - DEVKIT-S12VRP
- Reference Solutions
 - Anti-Pinch Window Lift Reference Design
- Compiler / Debugger
 - CodeWarrior
 - Cosmic
- LIN Stack

