



Chipsmall Limited consists of a professional team with an average of over 10 year of expertise in the distribution of electronic components. Based in Hongkong, we have already established firm and mutual-benefit business relationships with customers from,Europe,America and south Asia,supplying obsolete and hard-to-find components to meet their specific needs.

With the principle of "Quality Parts,Customers Priority,Honest Operation,and Considerate Service",our business mainly focus on the distribution of electronic components. Line cards we deal with include Microchip,ALPS,ROHM,Xilinx,Pulse,ON,Everlight and Freescale. Main products comprise IC,Modules,Potentiometer,IC Socket,Relay,Connector.Our parts cover such applications as commercial,industrial, and automotives areas.

We are looking forward to setting up business relationship with you and hope to provide you with the best service and solution. Let us make a better world for our industry!



Contact us

Tel: +86-755-8981 8866 Fax: +86-755-8427 6832

Email & Skype: info@chipsmall.com Web: www.chipsmall.com

Address: A1208, Overseas Decoration Building, #122 Zhenhua RD., Futian, Shenzhen, China

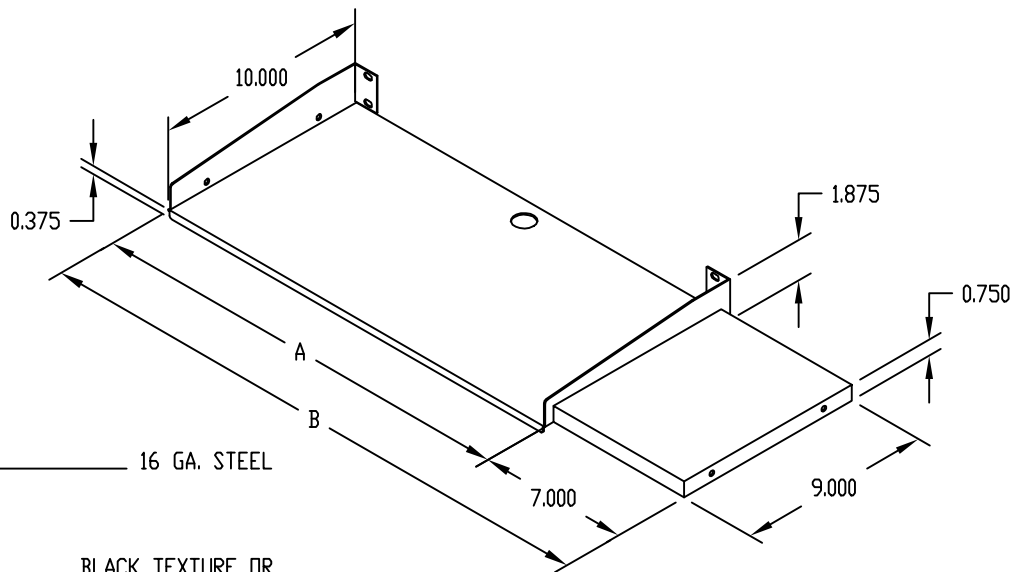


PART NAME

KEYBOARD AND MOUSE SHELF ASSEMBLY

PART No.

SA-1775 AND SA-1776



MATERIAL:

KEYBOARD SHELF AND MOUSE PAD _____ 16 GA. STEEL

FINISH:

KEYBOARD SHELF AND MOUSE PAD _____ BLACK TEXTURE OR METALLIC GRAY

LOAD RATING: 25 LBS. MAX.

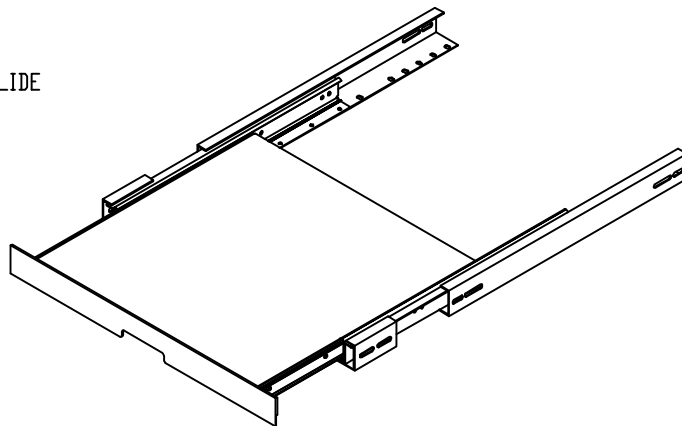
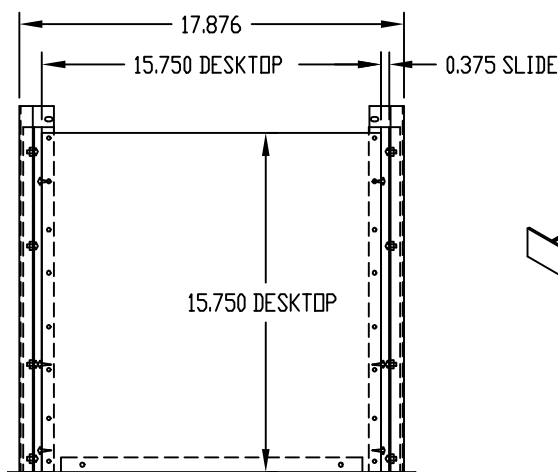
PART No.	PANEL SPACE	A	B
SA-1775	19.000	20.125	27.125
SA-1776	23.000	24.125	31.125

PART NAME

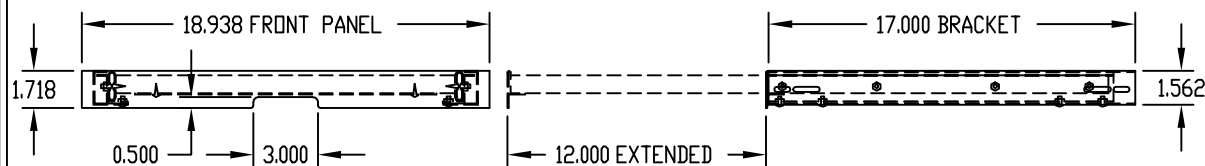
SLIDING DESKTOP

PART No.

60-2361



LOAD RATING: 50 LBS. MAX.



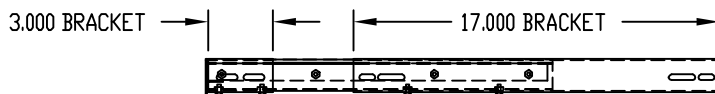
MATERIAL:

PANEL AND BRACKETS _____ 16 GA. STEEL
TOP _____ 3/4" THK. PLASTIC LAMINATE
FACED PARTICLE BOARD

FINISH:

PANEL _____ METALLIC GRAY
_____ WHITE TEXTURE
_____ BLACK TEXTURE
BRACKETS _____ SMOOTH BLACK
TOP _____ ANTIQUE WHITE
SLIDES _____ BRIGHT ZINC PLATE

MOUNTING IN 17.000 CLEAR
INSIDE DEPTH RACK



MOUNTING IN 20.500, 24.000 AND 29.250
CLEAR INSIDE DEPTH RACK