



Chipsmall Limited consists of a professional team with an average of over 10 year of expertise in the distribution of electronic components. Based in Hongkong, we have already established firm and mutual-benefit business relationships with customers from,Europe,America and south Asia,supplying obsolete and hard-to-find components to meet their specific needs.

With the principle of “Quality Parts,Customers Priority,Honest Operation,and Considerate Service”,our business mainly focus on the distribution of electronic components. Line cards we deal with include Microchip,ALPS,ROHM,Xilinx,Pulse,ON,Everlight and Freescale. Main products comprise IC,Modules,Potentiometer,IC Socket,Relay,Connector.Our parts cover such applications as commercial,industrial, and automotives areas.

We are looking forward to setting up business relationship with you and hope to provide you with the best service and solution. Let us make a better world for our industry!



## Contact us

Tel: +86-755-8981 8866 Fax: +86-755-8427 6832

Email & Skype: info@chipsmall.com Web: www.chipsmall.com

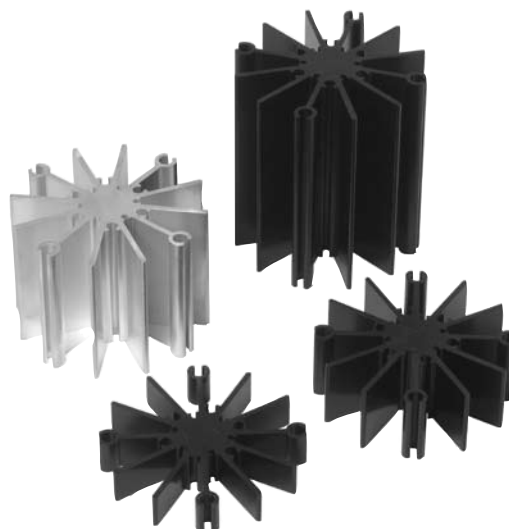
Address: A1208, Overseas Decoration Building, #122 Zhenhua RD., Futian, Shenzhen, China



# S Series

## LED Heatsinks

Ohmite S Series LED Heatsinks are low cost and easy assembly heat sinks for "Star" LED packages supplied by Cree, Lumileds, Osram and others. This simple heat sink can hold LED modules and can be mounted simply with some thread forming screws. The heat sink has two types of surface finish and can be used in either natural (free) or forced convection cooling applications.



### SERIES SPECIFICATIONS

Heatsink Part Number	Height (in/mm)	Surface area (in <sup>2</sup> /mm <sup>2</sup> )	Weight (oz/g)	Thermal resistance (°C/W)	
				Free conv.	Forced conv.
SV-LED-113E	0.50 / 12.7	18 / 11,739	0.077 / 35	6.67	4.33
SA-LED-113E				5.33	4.33
SV-LED-125E	1.00 / 25.4	36 / 23,478	0.154 / 70	5.33	2.88
SA-LED-125E				4.27	2.88
SV-LED-151E	2.00 / 50.8	72 / 46,956	0.308 / 140	4.00	1.89
SA-LED-151E				3.20	1.89
SV-LED-176E	3.00 / 76.2	108 / 70,434	0.462 / 210	3.11	1.55
SA-LED-176E				2.49	1.55

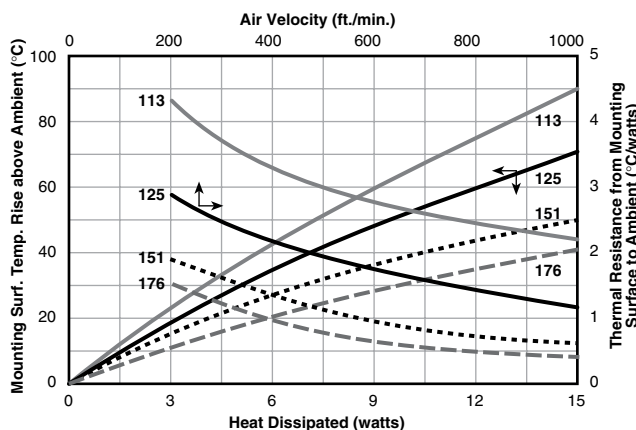
### CHARACTERISTICS

**Heat Sink** Aluminum Alloy 6063-T5 or Equivalent with either degressed or black anodized finish.

**Mounting Hardware** 1/4, #10, and #4 thread forming SS screws are preferred

**Compliance** Either degressed or black anodized finished parts are RoHS compliant.

#### Heat Dissipation



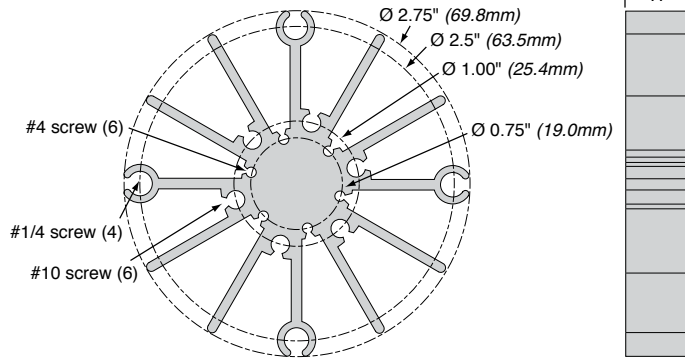
(continued)

# S Series

## LED Heatsinks

### DIMENSIONS

(in./mm)



Part Number	Height H (in/mm)	Surface area (in <sup>2</sup> /mm <sup>2</sup> )	Weight (oz/g)
SV-LED-113E SA-LED-113E	0.50 / 12.7	18 / 11,739	0.077 / 35
SV-LED-125E SA-LED-125E	1.00 / 25.4	36 / 23,478	0.154 / 70
SV-LED-151E SA-LED-151E	2.00 / 50.8	72 / 46,956	0.308 / 140
SV-LED-176E SA-LED-176E	3.00 / 76.2	108 / 70,434	0.462 / 210

### ORDERING INFORMATION

RoHS Compliant

**S V - L E D - 1 1 3 E**

Series    Coating    Height

A = black anodized  
V = degreased

#### Standard part numbers

Part Number	Description	Packaging
SV-LED-113E	12.7mm, no finish (degreased)	Bulk
SA-LED-113E	Black Anodized, 12.7mm	Bulk
SV-LED-125E	25.4mm, no finish (degreased)	Bulk
SA-LED-125E	Black Anodized, 25.4mm	Bulk
SV-LED-151E	50.8mm, no finish (degreased)	Bulk
SA-LED-151E	Black Anodized, 50.8mm	Bulk
SV-LED-176E	76.2mm, no finish (degreased)	Bulk
SA-LED-176E	Black Anodized, 76.2mm	Bulk