



Chipsmall Limited consists of a professional team with an average of over 10 year of expertise in the distribution of electronic components. Based in Hongkong, we have already established firm and mutual-benefit business relationships with customers from,Europe,America and south Asia,supplying obsolete and hard-to-find components to meet their specific needs.

With the principle of “Quality Parts,Customers Priority,Honest Operation,and Considerate Service”,our business mainly focus on the distribution of electronic components. Line cards we deal with include Microchip,ALPS,ROHM,Xilinx,Pulse,ON,Everlight and Freescale. Main products comprise IC,Modules,Potentiometer,IC Socket,Relay,Connector.Our parts cover such applications as commercial,industrial, and automotives areas.

We are looking forward to setting up business relationship with you and hope to provide you with the best service and solution. Let us make a better world for our industry!



## Contact us

Tel: +86-755-8981 8866 Fax: +86-755-8427 6832

Email & Skype: info@chipsmall.com Web: www.chipsmall.com

Address: A1208, Overseas Decoration Building, #122 Zhenhua RD., Futian, Shenzhen, China



## H-Bridge Motor Driver/Amplifiers

### FEATURES

- LOW COST COMPLETE H-BRIDGE
- SELF-CONTAINED SMART LOWSIDE/HIGHSIDE DRIVE CIRCUITRY
- SINGLE ENDED SUPPLY OPERATION
- WIDE SUPPLY RANGE: UP TO 80V
- 5A CONTINUOUS OUTPUT
- HERMETIC SEALED PACKAGE
- HIGH EFFICIENCY: 95% TYPICAL
- FOUR QUADRANT OPERATION, TORQUE CONTROL CAPABILITY
- INTERNAL PWM GENERATION

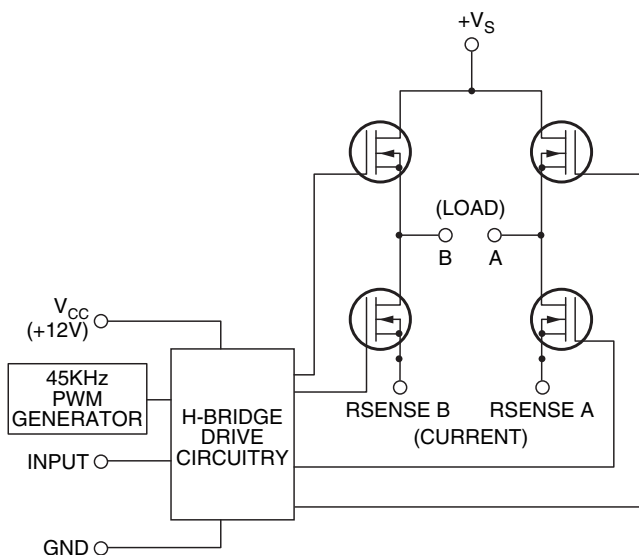
### APPLICATIONS

- BRUSH TYPE MOTOR CONTROL
- CLASS D SWITCHMODE AMPLIFIER
- REACTIVE LOADS
- MAGNETIC COILS (MRI)
- ACTIVE MAGNETIC BEARING
- VIBRATION CANCELLING

### DESCRIPTION

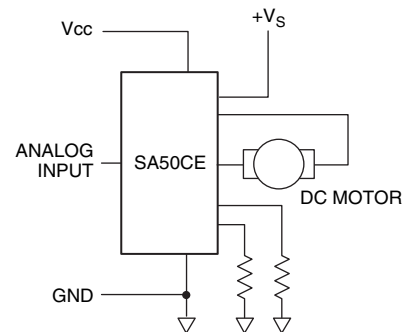
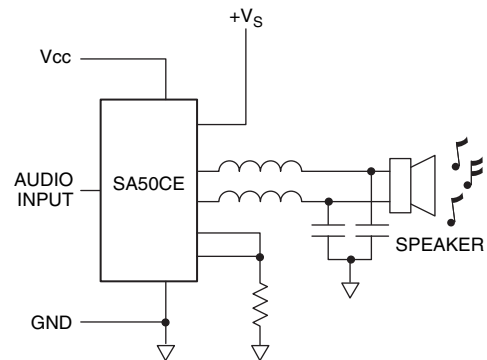
The SA50CE is a pulse width modulation amplifier that can continuously supply 5A to the load. The full bridge amplifier can be operated over a wide range of supply voltages. All of the drive/control circuitry for the lowside and high side switches are internal to the hybrid. The PWM circuitry is internal as well, leaving the user to only provide an analog signal for the motor speed and direction, or audio signal for switchmode audio amplification. The SA50CE is packaged in a space efficient isolated 8-pin TO-3 that can be directly connected to a heatsink.

### BLOCK DIAGRAM

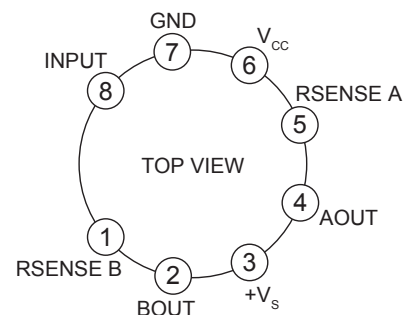


8-PIN TO-3  
PACKAGE STYLE CE

### TYPICAL APPLICATIONS



### EXTERNAL CONNECTIONS



**ABSOLUTE MAXIMUM RATINGS**

SUPPLY VOLTAGE, +V <sub>s</sub>	80V <sup>5</sup>
OUTPUT CURRENT, peak	7A
LOGIC SUPPLY VOLTAGE, V <sub>cc</sub>	16V
POWER DISSIPATION, internal	72W <sup>1</sup>
TEMPERATURE, pin solder - 10s	350°C
TEMPERATURE, junction <sup>3</sup>	175°C
TEMPERATURE, storage	-65 to +150°C
OPERATING TEMPERATURE RANGE, case	-65 to +125°C
INPUT VOLTAGE	+1V to V <sub>cc</sub> - 1.5 Vdc

**SPECIFICATIONS**

PARAMETER	TEST CONDITIONS <sup>2</sup>	MIN	TYP	MAX	UNITS
<b>INPUT</b>					
ANALOG INPUT VOLTAGES					
MOTOR A, B = 50% Duty Cycle	V <sub>cc</sub> = 9.5V to 15V		V <sub>cc</sub> /2		V
MOTOR A = 100% Duty Cycle High <sup>6</sup>			2V <sub>cc</sub> /3		V
MOTOR B = 100% Duty Cycle High <sup>6</sup>			V <sub>cc</sub> /3		V
<b>OUTPUT</b>					
V <sub>ds</sub> (ON) VOLTAGE, each MOSFET	I <sub>ds</sub> = 5A		1.0	1.3	Vdc
TOTAL R <sub>on</sub> , both MOSFETs			0.4		Ω
EFFICIENCY, 5A OUTPUT	+V <sub>s</sub> = 80V		95		%
SWITCHING FREQUENCY		40	45	50	kHz
CURRENT, continuous		5			A
CURRENT, peak	t = 100 m-sec	7			A
SWITCHING CHARACTERISTICS <sup>4</sup>					
RISE TIME	+V <sub>s</sub> = 28V, V <sub>cc</sub> = 12V, I <sub>c</sub> = 2A		36	54	ns
FALL TIME			170	250	ns
DEAD TIME			100		ns
<b>POWER SUPPLY</b>					
+V <sub>s</sub> VOLTAGE <sup>5</sup>	+V <sub>s</sub> I = Load I			80	V
V <sub>cc</sub> VOLTAGE		9.5	12	15	V
V <sub>cc</sub> CURRENT	V <sub>cc</sub> = 12Vdc		20	30	mA
<b>THERMAL<sup>3</sup></b>					
RESISTANCE, junction to case	Full temp range, for each transistor		2.0		°C/W
RESISTANCE, junction to air	Full temperature range		30		°C/W
TEMPERATURE RANGE, case		-40		+85	°C

- NOTES: 1. Each of the two active output transistors can dissipate 36W. This is an output FET rating only; normal operation at worst case conditions and maximum duty cycle only causes 19 watts internal heat generation in each active output FET. Use 40 watts maximum to size heatsink.
2. Unless otherwise noted: T<sub>c</sub> = 25°C, V<sub>cc</sub> = 12Vdc.
3. Long term operation at the maximum junction temperature will result in reduced product life. Derate internal power dissipation to achieve high MTTF. For guidance, refer to the heatsink data sheet.
4. Guaranteed but not tested.
5. Derate linearly to 70V at -40°C from T<sub>c</sub> = +25°C.

**CAUTION**

The SA50CE is constructed from MOSFET transistors. ESD handling procedures must be observed.

The internal substrate contains beryllia (BeO). Do not break the seal. If accidentally broken, do not crush, machine, or subject to temperatures in excess of 850°C to avoid generating toxic fumes.

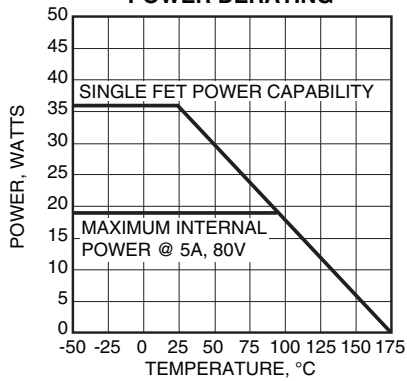
**WARNING—AMPLIFIER PROTECTION**

The SA50CE contains an internal logic chip that turns on and turns off output MOSFET drivers at a certain sequence. Noises or oscillation caused by external wiring inductance, lack of proper power supply bypass capacitors, ground, supply and local internal loops, may be fed back to this logic chip and cause it to turn on one or more MOSFET drivers at the wrong time, thus destroying the SA50CE. A well laid out PC

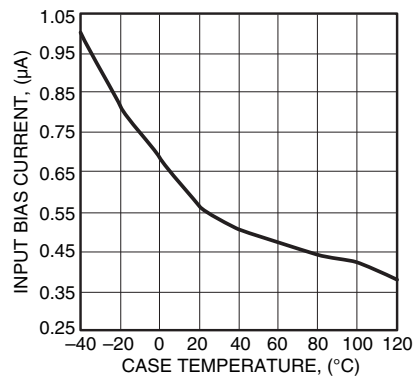
board with low impedance copper ground plane and excellent bypassing is necessary for the SA50CE to function properly. A low ESR high frequency bypass capacitor, such as a 0.1 μf 100V X7R ceramic, or better, should be mounted as close to the V<sub>s</sub> and ground pins as possible to avoid radiation of high frequency transients on the power supply wiring. The Apex Microtechnology EK-SA50CE evaluation board is recommended for fast and easy breadboarding of circuits using the SA50CE.



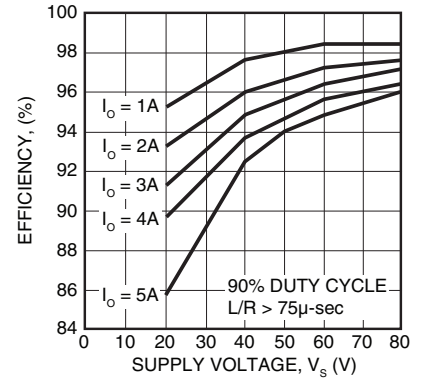
**POWER DERATING**



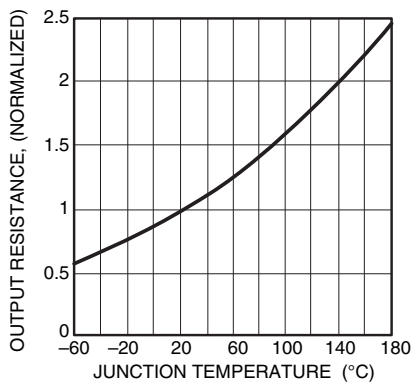
**INPUT CURRENT VS TEMP**



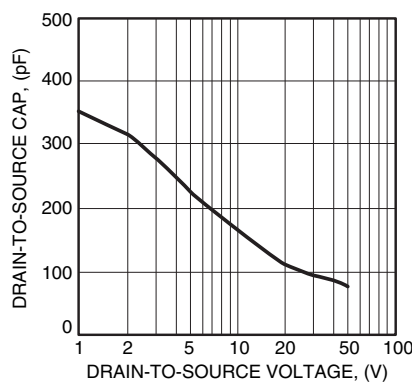
**EFFICIENCY vs. POWER SUPPLY VOLTAGE**



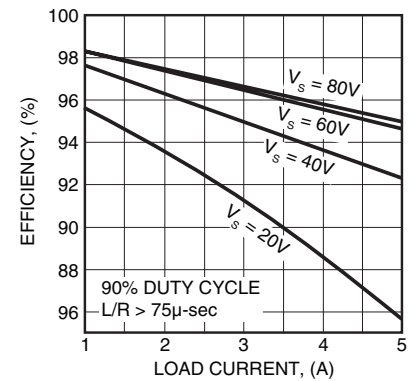
**OUTPUT RESISTANCE DRIFT**



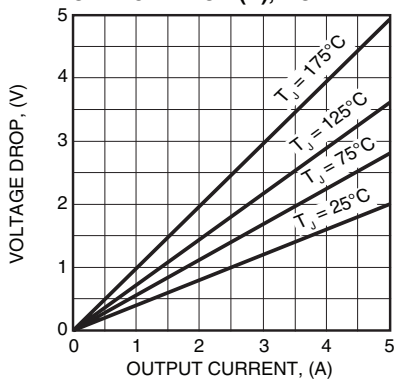
**H-BRIDGE FET CAPACITANCE**



**EFFICIENCY vs. LOAD CURRENT**



**VOLTAGE DROP (V), BOTH FETs**



## GENERAL

Please read Application Note 30 on "PWM Basics". Refer to Application Note 1 "General Operating Considerations" for helpful information regarding power supplies, heat sinking and mounting. Visit [www.apex-analog.com](http://www.apex-analog.com) for design tools that help automate pwm filter design and heat sink selection. The "Application Notes" and "Technical Seminar" sections contain a wealth of information on specific types of applications. Information on package outlines, heat sinks, mounting hardware and other accessories are located in the "Packages and Accessories" section. Evaluation Kits are available for most Apex Microtechnology product models, consult the "Evaluation Kit" section for details. For the most current version of all Apex Microtechnology product data sheets, visit [www.apexanalog.com](http://www.apexanalog.com).

## PIN DESCRIPTION

**V<sub>CC</sub>** - is the low voltage supply for powering internal logic and drivers for the lowside and highside MOSFETS. The supplies for the highside drivers are derived from this voltage.

**V<sub>S</sub>** - is the higher voltage H-bridge supply. The MOSFETS obtain the output current from this supply pin. Proper by-passing to GND with sufficient capacitance to suppress any voltage transients, and to ensure removing any drooping during switching, should be done as close to the pins on the hybrid as possible.

**A OUT** - is the output pin for one half of the bridge. Increasing the input voltage causes increasing duty cycle at this output.

**B OUT** - is the output pin for the other half of the bridge. Decreasing the input voltage causes increasing duty cycles at this point.

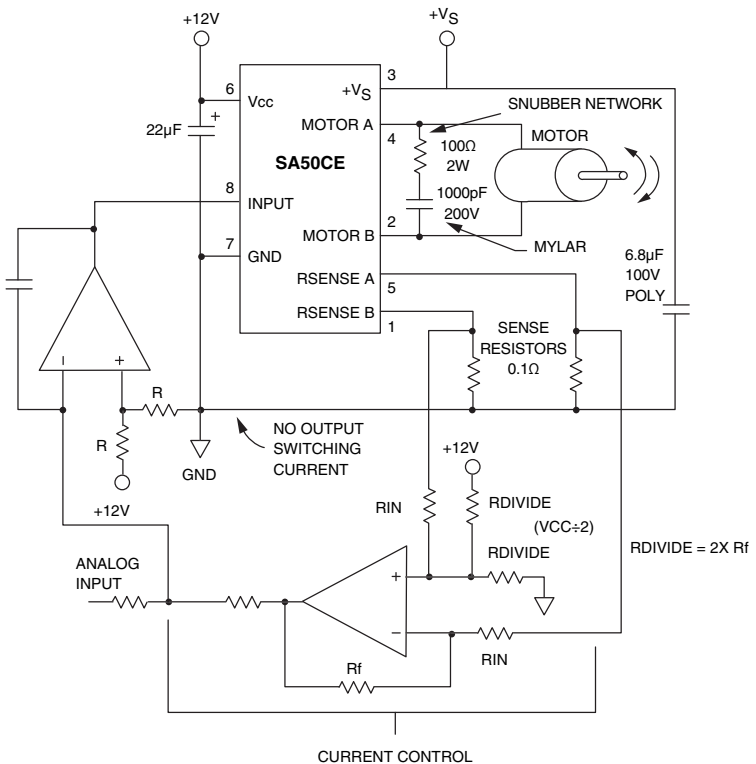
**RSENSE A** - This is the connection for the bottom of the A half bridge. This can have a sense resistor connected to the V<sub>S</sub> return ground for current limit sensing, or can be connected directly to ground. The maximum voltage on this pin is ±2 volts with respect to GND.

**GND** - is the return connection for the input logic and V<sub>CC</sub>.

**RSENSE B** - This is the connection for the bottom of the B half bridge. This can have a sense resistor connection to the V<sub>S</sub> return ground for current limit sensing, or can be connected directly to ground. The maximum voltage on this pin is ±2 volts with respect to GND.

**INPUT** - is an analog input for controlling the PWM pulse width of the bridge. A voltage higher than V<sub>CC</sub>/2 will produce greater than 50% duty cycle pulses out of A OUT. A voltage lower than V<sub>CC</sub>/2 will produce greater than 50% duty cycle pulses out of B OUT.

## TYPICAL SYSTEM OPERATION



This is a diagram of a typical application of the SA50CE. The design V<sub>CC</sub> voltage is +12 volts. V<sub>CC</sub> is internally bypassed with a good low ESR ceramic capacitor. A higher ESR bulk capacitor, such as a tantalum electrolytic, may be used externally in parallel. The analog input can be an analog speed control voltage from a potentiometer, other analog circuitry or by microprocessor and a D/A converter. This analog input gets pulled by the current control circuitry in the proper direction to reduce the current flow in the bridge if it gets too high. The gain of the current control amplifier will have to be set to obtain the proper amount of current limiting required by the system.

Current sensing is done in this case by a 0.1Ω sense resistor to sense the current from both legs of the bridge separately. It is important to make the high current traces as big as possible to keep inductance down. The storage capacitor connected to the V<sub>S</sub> and the hybrid GND should be large enough to provide the high energy pulse without the voltage sagging too far. A low ESR capacitor will be required. Mount capacitor as close to the hybrid as possible. The connection between GND and the V<sub>S</sub> return should not be carrying any motor current. The sense resistor signal is common mode filtered as necessary to feed the limiting circuitry. This application will allow full four quadrant torque control for a closed loop servo system.

A snubber network is usually required, due to the inductance in the power loop. It is important to design the snubber network to suppress any positive spikes above +V<sub>S</sub> and negative spikes below -2V with respect to pin 7 (GND).

---

## **NEED TECHNICAL HELP? CONTACT APEX SUPPORT!**

For all Apex Microtechnology product questions and inquiries, call toll free 800-546-2739 in North America.

For inquiries via email, please contact [apex.support@apexanalog.com](mailto:apex.support@apexanalog.com).

International customers can also request support by contacting their local Apex Microtechnology Sales Representative.

To find the one nearest to you, go to [www.apexanalog.com](http://www.apexanalog.com)

---

### IMPORTANT NOTICE

Apex Microtechnology, Inc. has made every effort to insure the accuracy of the content contained in this document. However, the information is subject to change without notice and is provided "AS IS" without warranty of any kind (expressed or implied). Apex Microtechnology reserves the right to make changes without further notice to any specifications or products mentioned herein to improve reliability. This document is the property of Apex Microtechnology and by furnishing this information, Apex Microtechnology grants no license, expressed or implied under any patents, mask work rights, copyrights, trademarks, trade secrets or other intellectual property rights. Apex Microtechnology owns the copyrights associated with the information contained herein and gives consent for copies to be made of the information only for use within your organization with respect to Apex Microtechnology integrated circuits or other products of Apex Microtechnology. This consent does not extend to other copying such as copying for general distribution, advertising or promotional purposes, or for creating any work for resale.

APEX MICROTECHNOLOGY PRODUCTS ARE NOT DESIGNED, AUTHORIZED OR WARRANTED TO BE SUITABLE FOR USE IN PRODUCTS USED FOR LIFE SUPPORT, AUTOMOTIVE SAFETY, SECURITY DEVICES, OR OTHER CRITICAL APPLICATIONS. PRODUCTS IN SUCH APPLICATIONS ARE UNDERSTOOD TO BE FULLY AT THE CUSTOMER OR THE CUSTOMER'S RISK.

Apex Microtechnology, Apex and Apex Precision Power are trademarks of Apex Microtechnology, Inc. All other corporate names noted herein may be trademarks of their respective holders.