



Chipsmall Limited consists of a professional team with an average of over 10 year of expertise in the distribution of electronic components. Based in Hongkong, we have already established firm and mutual-benefit business relationships with customers from,Europe,America and south Asia,supplying obsolete and hard-to-find components to meet their specific needs.

With the principle of “Quality Parts,Customers Priority,Honest Operation,and Considerate Service”,our business mainly focus on the distribution of electronic components. Line cards we deal with include Microchip,ALPS,ROHM,Xilinx,Pulse,ON,Everlight and Freescale. Main products comprise IC,Modules,Potentiometer,IC Socket,Relay,Connector.Our parts cover such applications as commercial,industrial, and automotives areas.

We are looking forward to setting up business relationship with you and hope to provide you with the best service and solution. Let us make a better world for our industry!



Contact us

Tel: +86-755-8981 8866 Fax: +86-755-8427 6832

Email & Skype: info@chipsmall.com Web: www.chipsmall.com

Address: A1208, Overseas Decoration Building, #122 Zhenhua RD., Futian, Shenzhen, China



8-Bit

SAA-XC886CLM

8-Bit Single Chip Microcontroller

Data Sheet

V1.1 2010-08

Microcontrollers

Edition 2010-08

**Published by
Infineon Technologies AG
81726 Munich, Germany**

**© 2010 Infineon Technologies AG
All Rights Reserved.**

Legal Disclaimer

The information given in this document shall in no event be regarded as a guarantee of conditions or characteristics. With respect to any examples or hints given herein, any typical values stated herein and/or any information regarding the application of the device, Infineon Technologies hereby disclaims any and all warranties and liabilities of any kind, including without limitation, warranties of non-infringement of intellectual property rights of any third party.

Information

For further information on technology, delivery terms and conditions and prices, please contact the nearest Infineon Technologies Office (www.infineon.com).

Warnings

Due to technical requirements, components may contain dangerous substances. For information on the types in question, please contact the nearest Infineon Technologies Office.

Infineon Technologies components may be used in life-support devices or systems only with the express written approval of Infineon Technologies, if a failure of such components can reasonably be expected to cause the failure of that life-support device or system or to affect the safety or effectiveness of that device or system. Life support devices or systems are intended to be implanted in the human body or to support and/or maintain and sustain and/or protect human life. If they fail, it is reasonable to assume that the health of the user or other persons may be endangered.

8-Bit

SAA-XC886CLM

8-Bit Single Chip Microcontroller

Data Sheet

V1.1 2010-08

Microcontrollers

SAA-XC886 Data Sheet**Revision History: V1.1 2010-08**

Previous Versions: V1.0 2009-09

Page	Subjects (major changes since last revision)
126	New parameter on weighted average temperature is added.
126	Maximum value of parameter V_{CDM} is increased from 500 V to 750 V.
126	Parameter V_{CDM} is no longer differentiated between V_{DDC} and all other pins.

We Listen to Your Comments

Any information within this document that you feel is wrong, unclear or missing at all?
Your feedback will help us to continuously improve the quality of this document.

Please send your proposal (including a reference to this document) to:

mcdocu.comments@infineon.com



Table of Contents

1	Summary of Features	1
2	General Device Information	4
2.1	Block Diagram	4
2.2	Logic Symbol	5
2.3	Pin Configuration	6
2.4	Pin Definitions and Functions	7
3	Functional Description	16
3.1	Processor Architecture	16
3.2	Memory Organization	17
3.2.1	Memory Protection Strategy	18
3.2.1.1	Flash Memory Protection	18
3.2.2	Special Function Register	20
3.2.2.1	Address Extension by Mapping	20
3.2.2.2	Address Extension by Paging	22
3.2.3	Bit Protection Scheme	26
3.2.3.1	Password Register	27
3.2.4	SAA-XC886 Register Overview	28
3.2.4.1	CPU Registers	28
3.2.4.2	MDU Registers	29
3.2.4.3	CORDIC Registers	30
3.2.4.4	System Control Registers	31
3.2.4.5	WDT Registers	33
3.2.4.6	Port Registers	34
3.2.4.7	ADC Registers	36
3.2.4.8	Timer 2 Registers	40
3.2.4.9	Timer 21 Registers	40
3.2.4.10	CCU6 Registers	41
3.2.4.11	UART1 Registers	45
3.2.4.12	SSC Registers	46
3.2.4.13	MultiCAN Registers	46
3.2.4.14	OCDS Registers	47
3.3	Flash Memory	49
3.3.1	Flash Bank Sectorization	50
3.3.2	Parallel Read Access of P-Flash	51
3.3.3	Flash Programming Width	52
3.4	Interrupt System	53
3.4.1	Interrupt Source	53
3.4.2	Interrupt Source and Vector	59
3.4.3	Interrupt Priority	61
3.5	Parallel Ports	62

Table of Contents

3.6	Power Supply System with Embedded Voltage Regulator	65
3.7	Reset Control	66
3.7.1	Module Reset Behavior	68
3.7.2	Bootling Scheme	68
3.8	Clock Generation Unit	69
3.8.1	Recommended External Oscillator Circuits	72
3.8.2	Clock Management	74
3.9	Power Saving Modes	76
3.10	Watchdog Timer	77
3.11	Multiplication/Division Unit	80
3.12	CORDIC Coprocessor	81
3.13	UART and UART1	82
3.13.1	Baud-Rate Generator	82
3.13.2	Baud Rate Generation using Timer 1	85
3.14	Normal Divider Mode (8-bit Auto-reload Timer)	85
3.15	LIN Protocol	86
3.15.1	LIN Header Transmission	87
3.16	High-Speed Synchronous Serial Interface	88
3.17	Timer 0 and Timer 1	90
3.18	Timer 2 and Timer 21	91
3.19	Capture/Compare Unit 6	92
3.20	Controller Area Network (MultiCAN)	94
3.21	Analog-to-Digital Converter	96
3.21.1	ADC Clocking Scheme	96
3.21.2	ADC Conversion Sequence	98
3.22	On-Chip Debug Support	99
3.22.1	JTAG ID Register	100
3.23	Chip Identification Number	101
4	Electrical Parameters	102
4.1	General Parameters	102
4.1.1	Parameter Interpretation	102
4.1.2	Absolute Maximum Rating	103
4.1.3	Operating Conditions	104
4.2	DC Parameters	105
4.2.1	Input/Output Characteristics	105
4.2.2	Supply Threshold Characteristics	108
4.2.3	ADC Characteristics	109
4.2.3.1	ADC Conversion Timing	112
4.2.4	Power Supply Current	113
4.3	AC Parameters	115
4.3.1	Testing Waveforms	115
4.3.2	Output Rise/Fall Times	116

Table of Contents

4.3.3	Power-on Reset and PLL Timing	117
4.3.4	On-Chip Oscillator Characteristics	119
4.3.5	External Clock Drive XTAL1	120
4.3.6	JTAG Timing	121
4.3.7	SSC Master Mode Timing	123
5	Package and Quality Declaration	124
5.1	Package Parameters	124
5.2	Package Outline	125
5.3	Quality Declaration	126

1 Summary of Features

The SAA-XC886 has the following features:

- High-performance XC800 Core
 - compatible with standard 8051 processor
 - two clocks per machine cycle architecture (for memory access without wait state)
 - two data pointers
- On-chip memory
 - 12 Kbytes of Boot ROM
 - 256 bytes of RAM
 - 1.5 Kbytes of XRAM
 - 24/32 Kbytes of Flash (includes memory protection strategy)
- I/O port supply at 5.0 V and core logic supply at 2.5 V (generated by embedded voltage regulator)

(more features on next page)

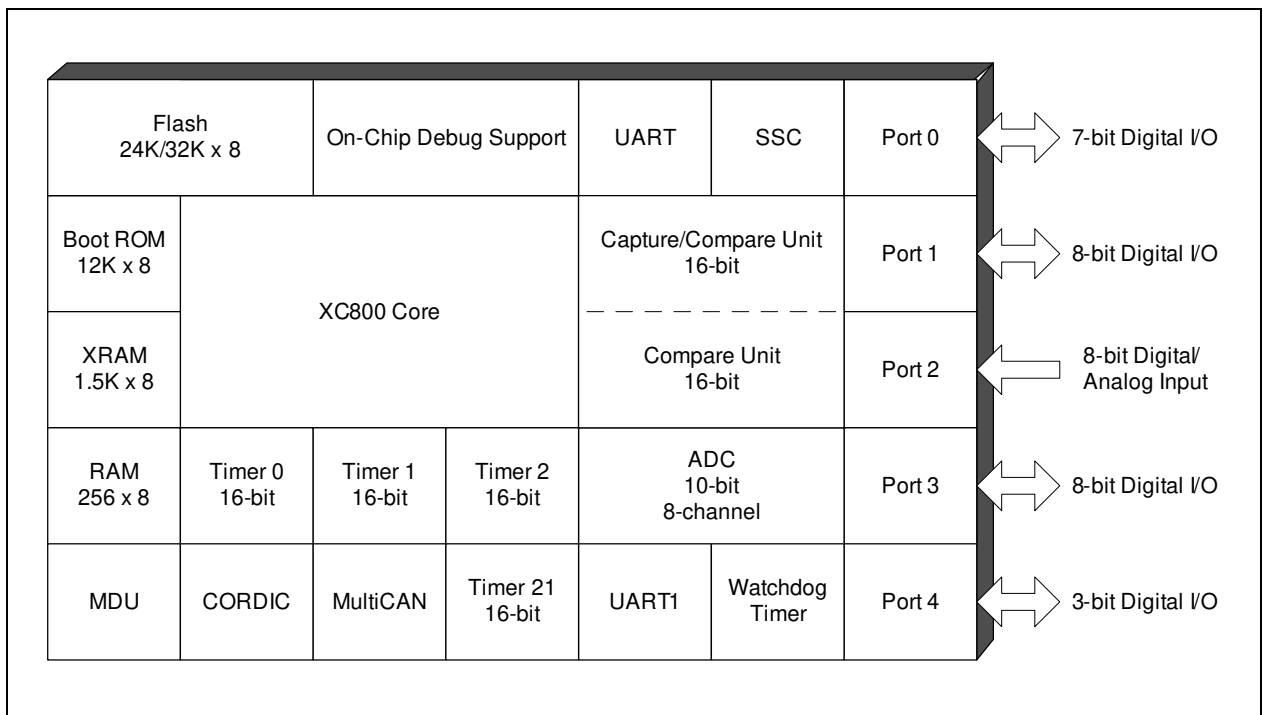


Figure 1 SAA-XC886 Functional Units

Summary of Features

Features: (continued)

- Power-on reset generation
- Brownout detection for core logic supply
- On-chip OSC and PLL for clock generation
 - PLL loss-of-lock detection
- Power saving modes
 - slow-down mode
 - idle mode
 - power-down mode with wake-up capability via RXD or EXINT0
 - clock gating control to each peripheral
- Programmable 16-bit Watchdog Timer (WDT)
- Six ports
 - Up to 48 pins as digital I/O
 - 8 pins as digital/analog input
- 8-channel, 10-bit ADC
- Four 16-bit timers
 - Timer 0 and Timer 1 (T0 and T1)
 - Timer 2 and Timer 21 (T2 and T21)
- Multiplication/Division Unit for arithmetic operations (MDU)
- Software libraries to support floating point and MDU calculations
- CORDIC Coprocessor for computation of trigonometric, hyperbolic and linear functions
- MultiCAN with 2 nodes, 32 message objects
- Capture/compare unit for PWM signal generation (CCU6)
- Two full-duplex serial interfaces (UART and UART1)
- Synchronous serial channel (SSC)
- On-chip debug support
 - 1 Kbyte of monitor ROM (part of the 12-Kbyte Boot ROM)
 - 64 bytes of monitor RAM
- Package:
 - PG-TQFP-48
- Temperature range T_A :
 - SAA (-40 to 140 °C)

Summary of Features
SAA-XC886 Variant Devices

The SAA-XC886 product family features devices with different configurations and program memory sizes, to offer cost-effective solutions for different application requirements.

The list of SAA-XC886 device configurations are summarized in [Table 1](#).

Table 1 Device Profile

Device Type	Sales Type	Program Memory (Kbytes)	CAN Module	LIN BSL Support	MDU Module
Flash	SAA-XC886-8FFA 5V	32	No	No	No
	SAA-XC886C-8FFA 5V	32	Yes	No	No
	SAA-XC886CM-8FFA 5V	32	Yes	No	Yes
	SAA-XC886LM-8FFA 5V	32	No	Yes	Yes
	SAA-XC886CLM-8FFA 5V	32	Yes	Yes	Yes
	SAA-XC886-6FFA 5V	24	No	No	No
	SAA-XC886C-6FFA 5V	24	Yes	No	No
	SAA-XC886CM-6FFA 5V	24	Yes	No	Yes
	SAA-XC886LM-6FFA 5V	24	No	Yes	Yes
	SAA-XC886CLM-6FFA 5V	24	Yes	Yes	Yes

Note: For variants with LIN BSL support, only LIN BSL is available regardless of the availability of the CAN module.

As this document refers to all the derivatives, some description may not apply to a specific product. For simplicity, all versions are referred to by the term SAA-XC886 throughout this document.

Ordering Information

The ordering code for Infineon Technologies microcontrollers provides an exact reference to the required product. This ordering code identifies:

- The derivative itself, i.e. its function set, the temperature range, and the supply voltage
- The package and the type of delivery

For the available ordering codes for the SAA-XC886, please refer to your responsible sales representative or your local distributor.

2 General Device Information

Chapter 2 contains the block diagram, pin configurations, definitions and functions of the SAA-XC886.

2.1 Block Diagram

The block diagram of the SAA-XC886 is shown in **Figure 2**.

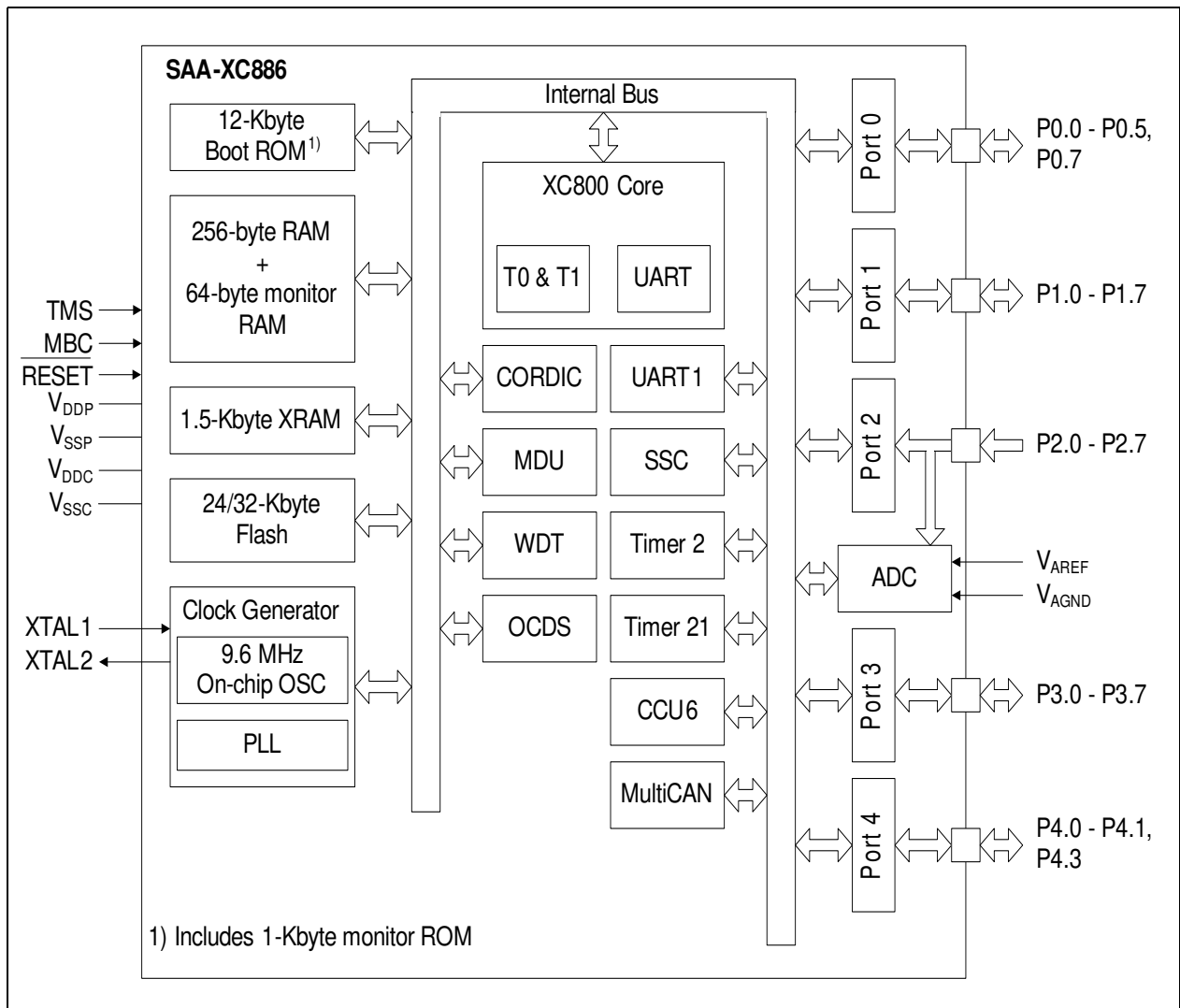


Figure 2 SAA-XC886 Block Diagram

2.2 Logic Symbol

The logic symbols of the SAA-XC886 are shown in [Figure 3](#).

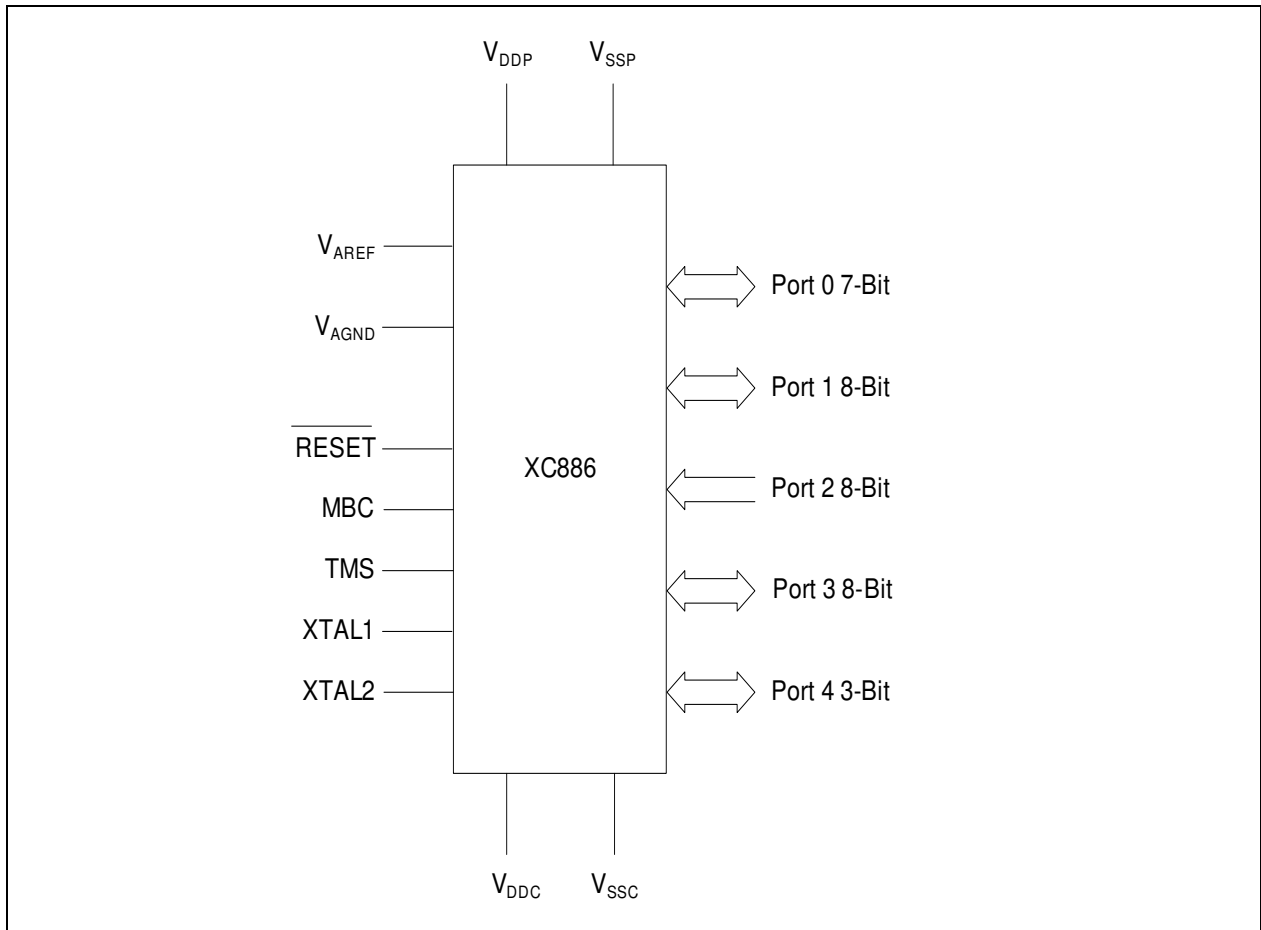


Figure 3 SAA-XC886 Logic Symbol

2.3 Pin Configuration

The pin configuration of the XC886, which is based on the PG-TQFP-48 package, is shown in **Figure 4**.

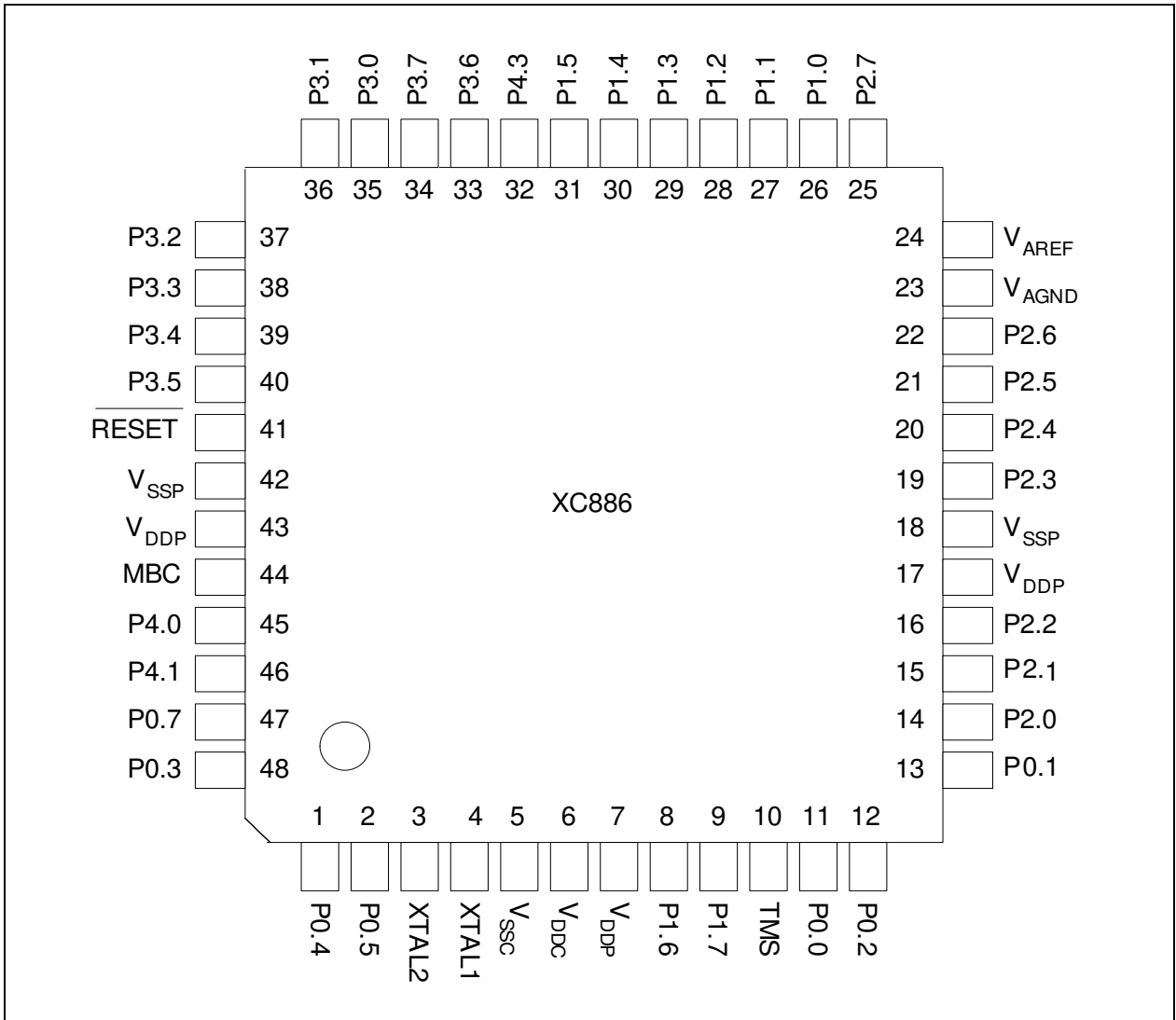


Figure 4 XC886 Pin Configuration, PG-TQFP-48 Package (top view)

2.4 Pin Definitions and Functions

The functions and default states of the SAA-XC886 external pins are provided in [Table 2](#).

Table 2 Pin Definitions and Functions

Symbol	Pin Number	Type	Reset State	Function
P0		I/O		Port 0 Port 0 is an 8-bit bidirectional general purpose I/O port. It can be used as alternate functions for the JTAG, CCU6, UART, UART1, Timer 2, Timer 21, MultiCAN and SSC.
P0.0	11		Hi-Z	TCK_0 JTAG Clock Input T12HR_1 CCU6 Timer 12 Hardware Run Input CC61_1 Input/Output of Capture/Compare channel 1 CLKOUT_0 Clock Output RXDO_1 UART Transmit Data Output
P0.1	13		Hi-Z	TDI_0 JTAG Serial Data Input T13HR_1 CCU6 Timer 13 Hardware Run Input RXD_1 UART Receive Data Input RXDC1_0 MultiCAN Node 1 Receiver Input COUT61_1 Output of Capture/Compare channel 1 EXF2_1 Timer 2 External Flag Output
P0.2	12		PU	CTRAP_2 CCU6 Trap Input TDO_0 JTAG Serial Data Output TXD_1 UART Transmit Data Output/Clock Output TXDC1_0 MultiCAN Node 1 Transmitter Output
P0.3	48		Hi-Z	SCK_1 SSC Clock Input/Output COUT63_1 Output of Capture/Compare channel 3 RXDO1_0 UART1 Transmit Data Output

General Device Information
Table 2 Pin Definitions and Functions (cont'd)

Symbol	Pin Number	Type	Reset State	Function
P0.4	1		Hi-Z	MTSR_1 SSC Master Transmit Output/ Slave Receive Input CC62_1 Input/Output of Capture/Compare channel 2 TXD1_0 UART1 Transmit Data Output/Clock Output
P0.5	2		Hi-Z	MRST_1 SSC Master Receive Input/Slave Transmit Output EXINT0_0 External Interrupt Input 0 T2EX1_1 Timer 21 External Trigger Input RXD1_0 UART1 Receive Data Input COUT62_1 Output of Capture/Compare channel 2
P0.7	47		PU	CLKOUT_1 Clock Output

General Device Information
Table 2 Pin Definitions and Functions (cont'd)

Symbol	Pin Number	Type	Reset State	Function
P1		I/O		Port 1 Port 1 is an 8-bit bidirectional general purpose I/O port. It can be used as alternate functions for the JTAG, CCU6, UART, Timer 0, Timer 1, Timer 2, Timer 21, MultiCAN and SSC.
P1.0	26		PU	RXD_0 UART Receive Data Input T2EX Timer 2 External Trigger Input RXDC0_0 MultiCAN Node 0 Receiver Input
P1.1	27		PU	EXINT3 External Interrupt Input 3 T0_1 Timer 0 Input TDO_1 JTAG Serial Data Output TXD_0 UART Transmit Data Output/Clock Output TXDC0_0 MultiCAN Node 0 Transmitter Output
P1.2	28		PU	SCK_0 SSC Clock Input/Output
P1.3	29		PU	MSTR_0 SSC Master Transmit Output/Slave Receive Input TXDC1_3 MultiCAN Node 1 Transmitter Output
P1.4	30		PU	MRST_0 SSC Master Receive Input/ Slave Transmit Output EXINT0_1 External Interrupt Input 0 RXDC1_3 MultiCAN Node 1 Receiver Input
P1.5	31		PU	CCPOS0_1 CCU6 Hall Input 0 EXINT5 External Interrupt Input 5 T1_1 Timer 1 Input EXF2_0 Timer 2 External Flag Output RXDO_0 UART Transmit Data Output

General Device Information

Table 2 Pin Definitions and Functions (cont'd)

Symbol	Pin Number	Type	Reset State	Function
P1.6	8		PU	CCPOS1_1 CCU6 Hall Input 1 T12HR_0 CCU6 Timer 12 Hardware Run Input EXINT6_0 External Interrupt Input 6 RXDC0_2 MultiCAN Node 0 Receiver Input T21_1 Timer 21 Input
P1.7	9		PU	CCPOS2_1 CCU6 Hall Input 2 T13HR_0 CCU6 Timer 13 Hardware Run Input T2_1 Timer 2 Input TXDC0_2 MultiCAN Node 0 Transmitter Output P1.5 and P1.6 can be used as a software chip select output for the SSC.

General Device Information
Table 2 Pin Definitions and Functions (cont'd)

Symbol	Pin Number	Type	Reset State	Function
P2		I		Port 2 Port 2 is an 8-bit general purpose input-only port. It can be used as alternate functions for the digital inputs of the JTAG and CCU6. It is also used as the analog inputs for the ADC.
P2.0	14		Hi-Z	CCPOS0_0 CCU6 Hall Input 0 EXINT1_0 External Interrupt Input 1 T12HR_2 CCU6 Timer 12 Hardware Run Input TCK_1 JTAG Clock Input CC61_3 Input of Capture/Compare channel 1 AN0 Analog Input 0
P2.1	15		Hi-Z	CCPOS1_0 CCU6 Hall Input 1 EXINT2_0 External Interrupt Input 2 T13HR_2 CCU6 Timer 13 Hardware Run Input TDI_1 JTAG Serial Data Input CC62_3 Input of Capture/Compare channel 2 AN1 Analog Input 1
P2.2	16		Hi-Z	CCPOS2_0 CCU6 Hall Input 2 CTRAP_1 CCU6 Trap Input CC60_3 Input of Capture/Compare channel 0 AN2 Analog Input 2
P2.3	19		Hi-Z	AN3 Analog Input 3
P2.4	20		Hi-Z	AN4 Analog Input 4
P2.5	21		Hi-Z	AN5 Analog Input 5
P2.6	22		Hi-Z	AN6 Analog Input 6
P2.7	25		Hi-Z	AN7 Analog Input 7

General Device Information
Table 2 Pin Definitions and Functions (cont'd)

Symbol	Pin Number	Type	Reset State	Function
P3		I/O		Port 3 Port 3 is an 8-bit bidirectional general purpose I/O port. It can be used as alternate functions for CCU6, UART1, Timer 21 and MultiCAN.
P3.0	35		Hi-Z	CCPOS1_2 CCU6 Hall Input 1 CC60_0 Input/Output of Capture/Compare channel 0 RXDO1_1 UART1 Transmit Data Output
P3.1	36		Hi-Z	CCPOS0_2 CCU6 Hall Input 0 CC61_2 Input/Output of Capture/Compare channel 1 COUT60_0 Output of Capture/Compare channel 0 TXD1_1 UART1 Transmit Data Output/Clock Output
P3.2	37		Hi-Z	CCPOS2_2 CCU6 Hall Input 2 RXDC1_1 MultiCAN Node 1 Receiver Input RXD1_1 UART1 Receive Data Input CC61_0 Input/Output of Capture/Compare channel 1
P3.3	38		Hi-Z	COUT61_0 Output of Capture/Compare channel 1 TXDC1_1 MultiCAN Node 1 Transmitter Output
P3.4	39		Hi-Z	CC62_0 Input/Output of Capture/Compare channel 2 RXDC0_1 MultiCAN Node 0 Receiver Input T2EX1_0 Timer 21 External Trigger Input
P3.5	40		Hi-Z	COUT62_0 Output of Capture/Compare channel 2 EXF21_0 Timer 21 External Flag Output TXDC0_1 MultiCAN Node 0 Transmitter Output
P3.6	33		PD	<u>CTRAP_0</u> CCU6 Trap Input

General Device Information**Table 2 Pin Definitions and Functions (cont'd)**

Symbol	Pin Number	Type	Reset State	Function
P3.7	34		Hi-Z	EXINT4 External Interrupt Input 4 COUT63_0 Output of Capture/Compare channel 3

General Device Information

Table 2 Pin Definitions and Functions (cont'd)

Symbol	Pin Number	Type	Reset State	Function
P4		I/O		Port 4 Port 4 is an 8-bit bidirectional general purpose I/O port. It can be used as alternate functions for CCU6, Timer 0, Timer 1, Timer 21 and MultiCAN.
P4.0	45		Hi-Z	RXDC0_3 MultiCAN Node 0 Receiver Input CC60_1 Output of Capture/Compare channel 0
P4.1	46		Hi-Z	TXDC0_3 MultiCAN Node 0 Transmitter Output COUT60_1 Output of Capture/Compare channel 0
P4.3	32		Hi-Z	EXF21_1 Timer 21 External Flag Output COUT63_2 Output of Capture/Compare channel 3

General Device Information
Table 2 Pin Definitions and Functions (cont'd)

Symbol	Pin Number	Type	Reset State	Function
V_{DDP}	7, 17, 43	–	–	I/O Port Supply (5.0 V) Also used by EVR and analog modules. All pins must be connected.
V_{SSP}	18, 42	–	–	I/O Port Ground All pins must be connected.
V_{DDC}	6	–	–	Core Supply Monitor (2.5 V)
V_{SSC}	5	–	–	Core Supply Ground
V_{AREF}	24	–	–	ADC Reference Voltage
V_{AGND}	23	–	–	ADC Reference Ground
XTAL1	4	I	Hi-Z	External Oscillator Input (backup for on-chip OSC, normally NC)
XTAL2	3	O	Hi-Z	External Oscillator Output (backup for on-chip OSC, normally NC)
TMS	10	I	PD	Test Mode Select
RESET	41	I	PU	Reset Input
MBC¹⁾	44	I	PU	Monitor & BootStrap Loader Control

1) An external pull-up device in the range of 4.7 k Ω to 100 k Ω . is required to enter user mode. Alternatively MBC can be tied to high if alternate functions (for debugging) of the pin are not utilized.

3 Functional Description

Chapter 3 provides an overview of the SAA-XC886 functional description.

3.1 Processor Architecture

The SAA-XC886 is based on a high-performance 8-bit Central Processing Unit (CPU) that is compatible with the standard 8051 processor. While the standard 8051 processor is designed around a 12-clock machine cycle, the SAA-XC886 CPU uses a 2-clock machine cycle. This allows fast access to ROM or RAM memories without wait state. Access to the Flash memory, however, requires an additional wait state (one machine cycle). The instruction set consists of 45% one-byte, 41% two-byte and 14% three-byte instructions.

The SAA-XC886 CPU provides a range of debugging features, including basic stop/start, single-step execution, breakpoint support and read/write access to the data memory, program memory and Special Function Registers (SFRs).

Figure 5 shows the CPU functional blocks.

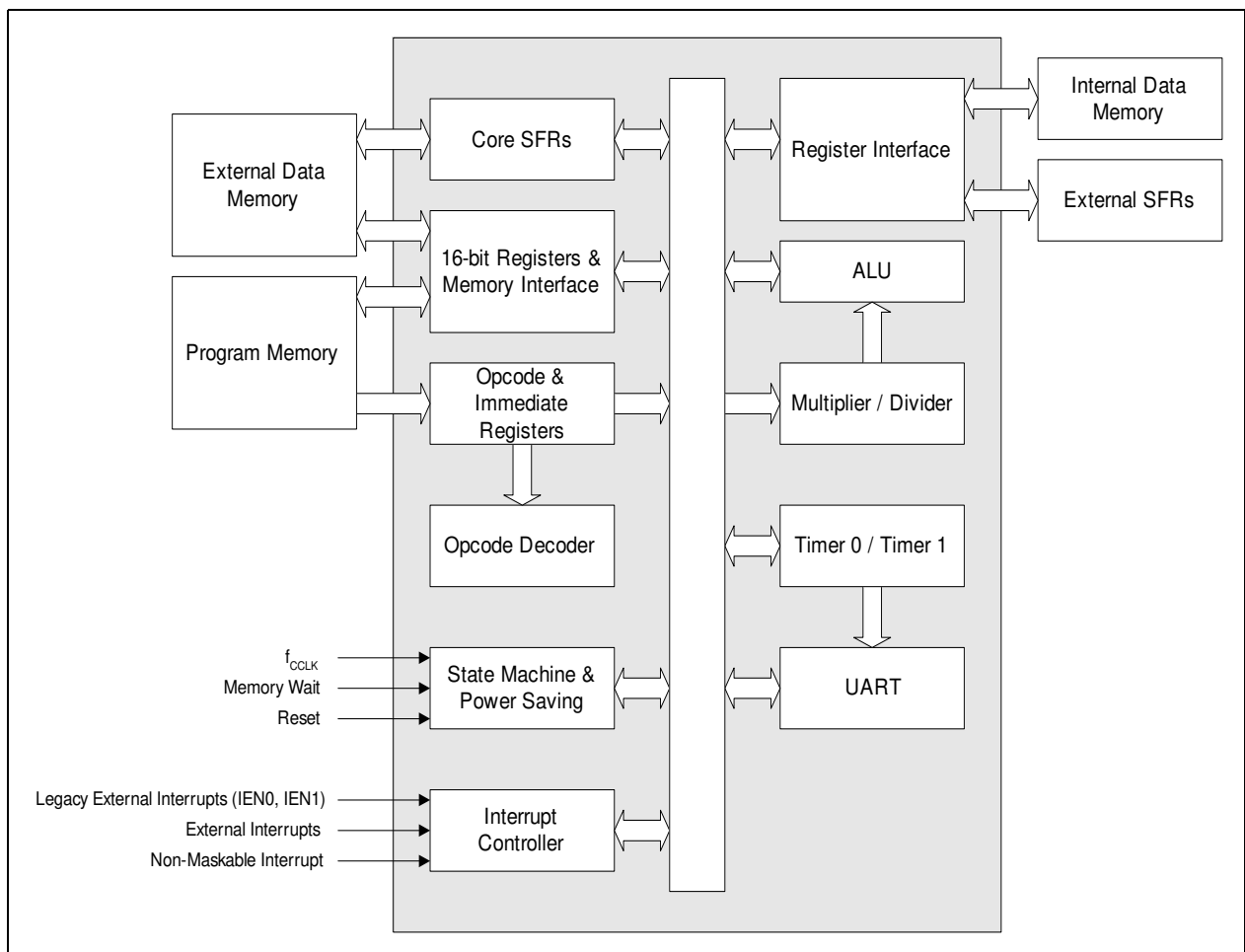


Figure 5 CPU Block Diagram

3.2 Memory Organization

The SAA-XC886 CPU operates in the following five address spaces:

- 12 Kbytes of Boot ROM program memory
- 256 bytes of internal RAM data memory
- 1.5 Kbytes of XRAM memory
(XRAM can be read/written as program memory or external data memory)
- A 128-byte Special Function Register area
- 24/32 Kbytes of Flash program memory

Figure 6 illustrates the memory address spaces of the 32-Kbyte Flash devices. For the 24-Kbyte Flash devices, the shaded banks are not available.

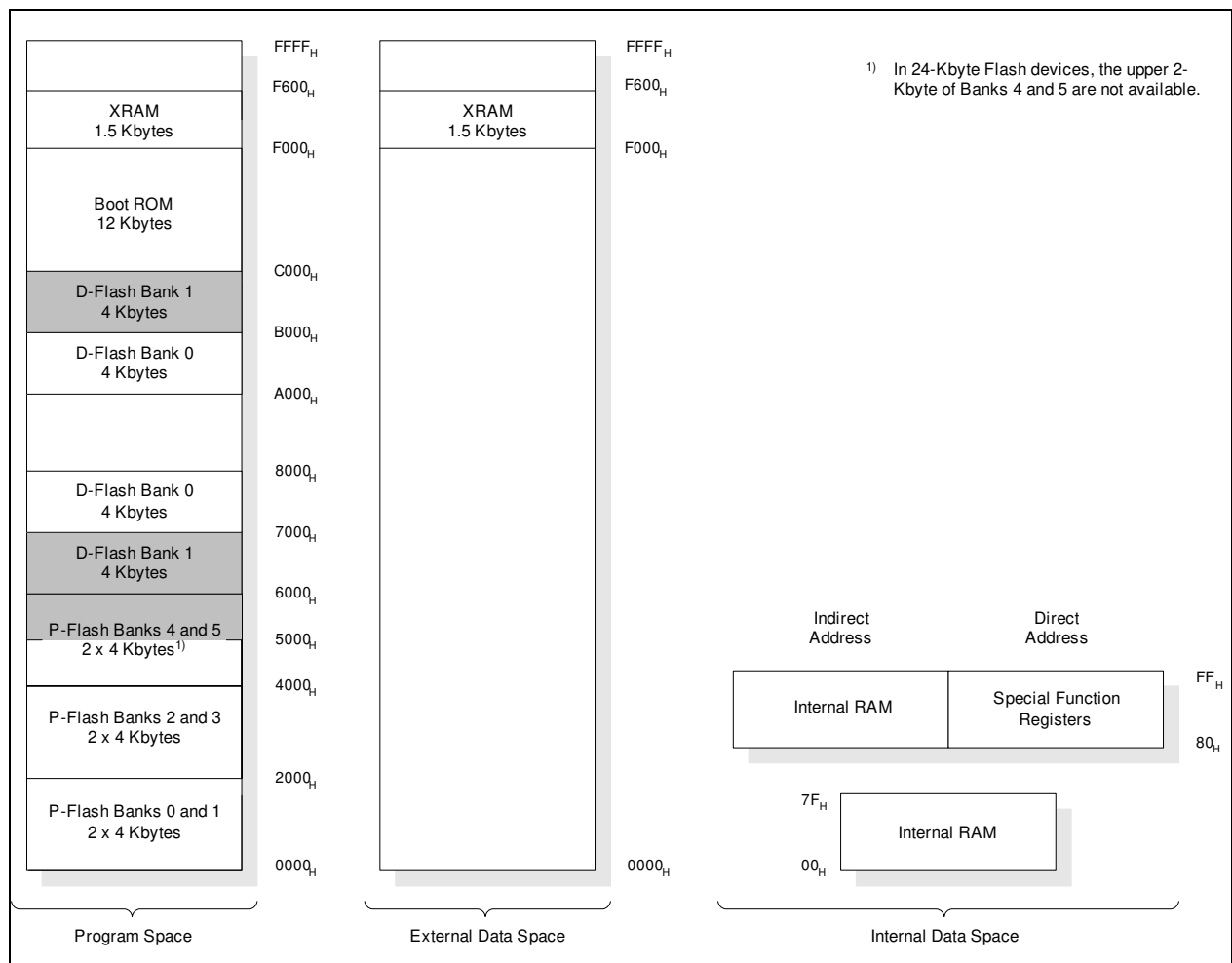


Figure 6 Memory Map of SAA-XC886 Flash Device

3.2.1 Memory Protection Strategy

The SAA-XC886 memory protection strategy includes:

- Read-out protection: The user is able to protect the contents in the Flash memory from being read
 - Flash protection is enabled by programming a valid password (8-bit non-zero value) via BSL mode 6.
- Flash program and erase protection.

3.2.1.1 Flash Memory Protection

As long as a valid password is available, all external access to the device, including the Flash, will be blocked.

For additional security, the Flash hardware protection can be enabled to implement a second layer of read-out protection, as well as to enable program and erase protection.

Flash hardware protection is available only for Flash devices and comes in two modes:

- Mode 0: Only the P-Flash is protected; the D-Flash is unprotected
- Mode 1: Both the P-Flash and D-Flash are protected

The selection of each protection mode and the restrictions imposed are summarized in [Table 3](#).

Table 3 Flash Protection Modes

Flash Protection	Without hardware protection		With hardware protection	
			0	1
Hardware Protection Mode	-		0	1
Activation	Program a valid password via BSL mode 6			
Selection	Bit 4 of password = 0	Bit 4 of password = 1	Bit 4 of password = 1	Bit 4 of password = 1
		MSB of password = 0	MSB of password = 1	MSB of password = 1
P-Flash contents can be read by	Read instructions in any program memory	Read instructions in the P-Flash	Read instructions in the P-Flash or D-Flash	Read instructions in the P-Flash or D-Flash
External access to P-Flash	Not possible	Not possible	Not possible	Not possible
P-Flash program and erase	Possible	Not possible	Not possible	Not possible
D-Flash contents can be read by	Read instructions in any program memory	Read instructions in any program memory	Read instructions in the P-Flash or D-Flash	Read instructions in the P-Flash or D-Flash