



Chipsmall Limited consists of a professional team with an average of over 10 year of expertise in the distribution of electronic components. Based in Hongkong, we have already established firm and mutual-benefit business relationships with customers from,Europe,America and south Asia,supplying obsolete and hard-to-find components to meet their specific needs.

With the principle of “Quality Parts,Customers Priority,Honest Operation,and Considerate Service”,our business mainly focus on the distribution of electronic components. Line cards we deal with include Microchip,ALPS,ROHM,Xilinx,Pulse,ON,Everlight and Freescale. Main products comprise IC,Modules,Potentiometer,IC Socket,Relay,Connector.Our parts cover such applications as commercial,industrial, and automotives areas.

We are looking forward to setting up business relationship with you and hope to provide you with the best service and solution. Let us make a better world for our industry!



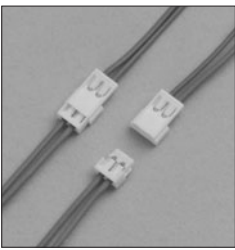
## Contact us

Tel: +86-755-8981 8866 Fax: +86-755-8427 6832

Email & Skype: info@chipsmall.com Web: www.chipsmall.com

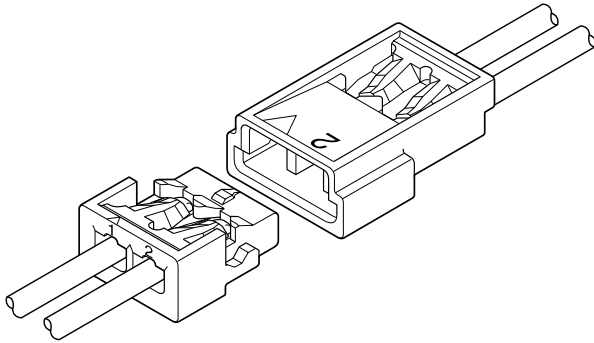
Address: A1208, Overseas Decoration Building, #122 Zhenhua RD., Futian, Shenzhen, China





# ACH CONNECTOR

**1.2mm pitch/Disconnectable Crimp style Wire-to-wire connectors**



***This is the wire-to-wire connector for DC power supply compatible with the ACH connector for PC board.***

- Connector for DC power supply
- Common use with the existing socket contact of ACH connector

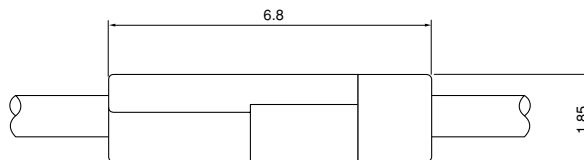
## Specifications

- Current rating: 2A AC, DC
  - Voltage rating: 50V AC, DC
  - Temperature range: -25°C to +85°C  
(including temperature rise in applying electrical current)
  - Contact resistance: Initial value/ 10m  $\Omega$  max.  
After environmental testing/ 20m  $\Omega$  max.
  - Insulation resistance: 100M  $\Omega$  min.
  - Withstanding voltage: 500V AC/minute
  - Applicable wire: Conductor size/ AWG #30 to #28  
Insulation O.D./ 0.5 to 0.63mm
- \* Compliant with RoHS.  
\* Refer to "General Instruction and Notice when using Terminals and Connectors" at the end of this catalog.  
\* Contact JST for details.

## Standards

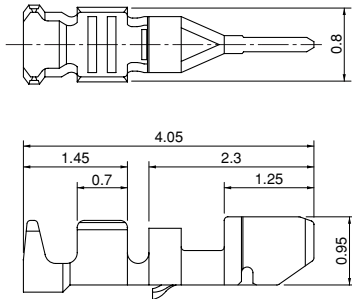
Recognized E60389

Certified LR20812

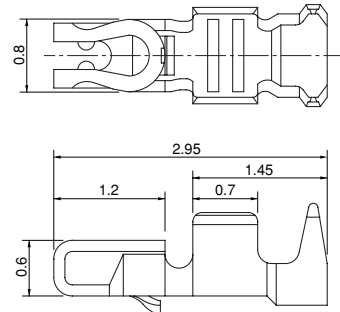


## Contact

### Plug contact



### Socket contact



Model No.		Applicable wire		Insulation O.D. (mm)	Q'ty / reel
Plug contact	Socket contact	mm <sup>2</sup>	AWG #		
<b>SACHP-003G-P0.2</b>	<b>SACH-003G-P0.2</b>	0.05~0.08	30~28	0.5~0.63	30,000

### Material and Finish

Copper alloy, nickel-undercoated, gold-plated

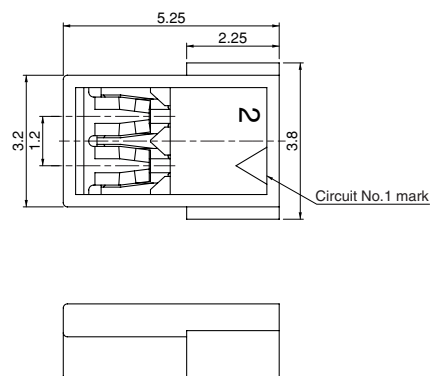
### RoHS compliance

Contact	Crimping machine	Applicator		
		Crimp applicator	Dies	Crimp applicator with dies
<b>SACHP-003G-P0.2</b>	AP-K2N	MKS-L-10-3	MK/SACHP-003-02	APLMK SACHP003-02
		—	—	—

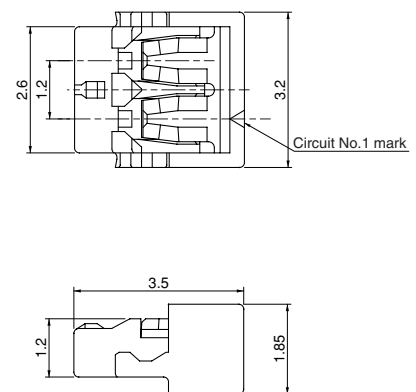
Contact	Crimping machine	Applicator		
		Crimp applicator	Dies	Crimp applicator with dies
<b>SACH-003G-P0.2</b>	AP-K2N	MKS-L-10-3	MK/SACH-003-02	APLMK SACH003-02
		—	—	—

## Housing

### Plug housing



### Socket housing



Model No.		Q'ty / box
Plug housing	Socket housing	
<b>ACHTP-02V-S</b>	<b>ACHTR-02V-S</b>	1,000

### Material

PBT, UL94V-0, natural (white)

### RoHS compliance