



Chipsmall Limited consists of a professional team with an average of over 10 year of expertise in the distribution of electronic components. Based in Hongkong, we have already established firm and mutual-benefit business relationships with customers from,Europe,America and south Asia,supplying obsolete and hard-to-find components to meet their specific needs.

With the principle of "Quality Parts,Customers Priority,Honest Operation,and Considerate Service",our business mainly focus on the distribution of electronic components. Line cards we deal with include Microchip,ALPS,ROHM,Xilinx,Pulse,ON,Everlight and Freescale. Main products comprise IC,Modules,Potentiometer,IC Socket,Relay,Connector.Our parts cover such applications as commercial,industrial, and automotives areas.

We are looking forward to setting up business relationship with you and hope to provide you with the best service and solution. Let us make a better world for our industry!



## Contact us

Tel: +86-755-8981 8866 Fax: +86-755-8427 6832

Email & Skype: info@chipsmall.com Web: www.chipsmall.com

Address: A1208, Overseas Decoration Building, #122 Zhenhua RD., Futian, Shenzhen, China





## Meter Interface Unit (MIU) Whisker.IO™ Sensor

### General Description

Whisker.IO SensorBlocks™ are battery powered, long range wireless devices that can monitor and control the world around them from up to 4 miles away. They are designed to be extremely flexible and can easily be configured to meet exacting requirements.

The *MIU SensorBlock* measures consumption using any pulse output water/gas/electric meter. An optional valve control circuit allows remote control of a 12V motorized shutoff valve. See specifications for more information.

### Power

Each SensorBlock™ can be powered for up to 5 years from 2xAA batteries or can be powered externally via the removable terminal strip.

Normally, the block would be powered by batteries, but if the open collector output is required, the block will need to be powered externally from a 2.7 to 3.6V power supply.

### Mechanical

Commercial blocks are extremely small (3x2x1.5”) and come with a multi-use mounting bracket that can be attached in a number of ways. The bracket can be screwed to a wall using the included screws and wall anchors or it can be strapped (or zip tied) to an odd shaped surface like a pipe.

### Antenna

For normal applications, the SensorBlock™ comes standard with an internal antenna. In applications where extreme range is required or where an external antenna is required, SensorBlocks can be shipped with a RPSMA antenna connector which is compatible with our TQX-900E di-pole antenna.

### Internal Channels

The MIU SensorBlock is configured to monitor battery voltage and temperature. It reports these values on the same period as the consumption values.

Channel	Description	Sampling
AI3	Battery Voltage	Periodic, Window Event
AI29	Temperature (+/- 1C)	Periodic, Window Event

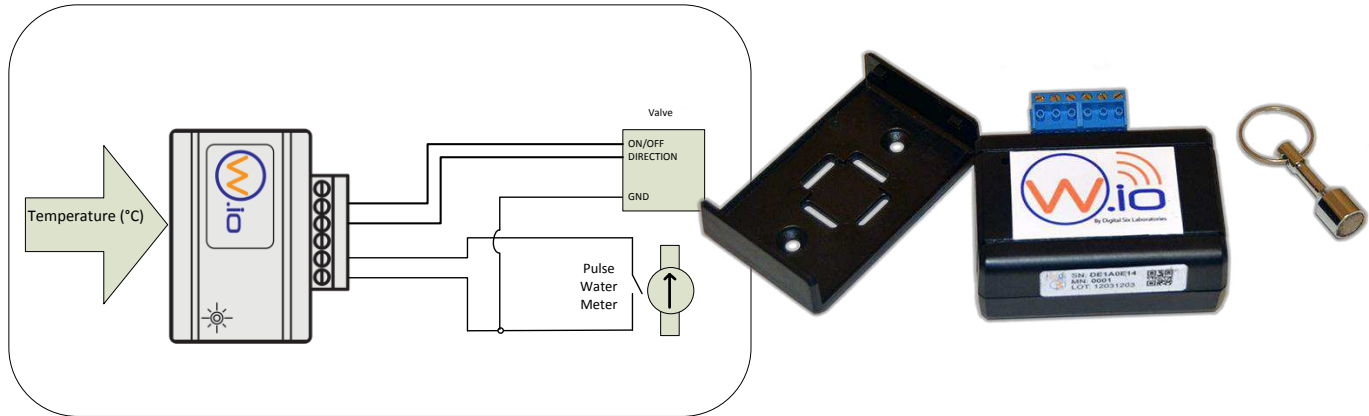
### External Connections

Terminal	Description	Sampling
1	VCC	NA
2	Valve On	NA
3	Valve Dir	NA
4	NA	NA
5	Pulse In	Periodic Counter
6	GND	NA





## Typical Application – Water Sub-Metering



### Electrical Specification

Parameter	Minimum	Typical	Maximum	Units
External Supply voltage	1.8	3.0	3.6	VDC
Battery life – 2xAA Energizer Alkaline		5		Year
Operating Temp. Range (with alkaline batteries)	-20	25	40	°C
Operating Temp. Range (with LiFeSO2 batteries)	-40	25	60	°C
Operating Temp. Range - external power	-40	25	85	°C
Transmission range		4		Miles <sup>1</sup>
Temperature measurement range	-40		80	°C
Temperature measurement accuracy	-4		+4	°C
AIN1 analog voltage input range	0		2.5	V
AIN1 analog-to-digital conversion resolution		10		Bits
Maximum periodic sample rate	-	-	24	Hours/sample
Minimum periodic sample rate	5	-	-	Minutes/sample
Valve Operating Voltage		12V		mA
DO0 – open collector output max voltage			50	VDC

### Order Information

Part Number	Description
SB-900-1000-I	902-928MHz MIUc SensorBlock with internal antenna
SB-900-1000-E	902-928MHz MIU SensorBlock with external RPSMA connector
SB-900-1001-I	902-928MHz MIUc SensorBlock with internal antenna and valve control
SB-900-1001-E	902-928MHz MIU SensorBlock with external RPSMA connector and valve control