



Chipsmall Limited consists of a professional team with an average of over 10 year of expertise in the distribution of electronic components. Based in Hongkong, we have already established firm and mutual-benefit business relationships with customers from,Europe,America and south Asia,supplying obsolete and hard-to-find components to meet their specific needs.

With the principle of “Quality Parts,Customers Priority,Honest Operation,and Considerate Service”,our business mainly focus on the distribution of electronic components. Line cards we deal with include Microchip,ALPS,ROHM,Xilinx,Pulse,ON,Everlight and Freescale. Main products comprise IC,Modules,Potentiometer,IC Socket,Relay,Connector.Our parts cover such applications as commercial,industrial, and automotives areas.

We are looking forward to setting up business relationship with you and hope to provide you with the best service and solution. Let us make a better world for our industry!



## Contact us

Tel: +86-755-8981 8866 Fax: +86-755-8427 6832

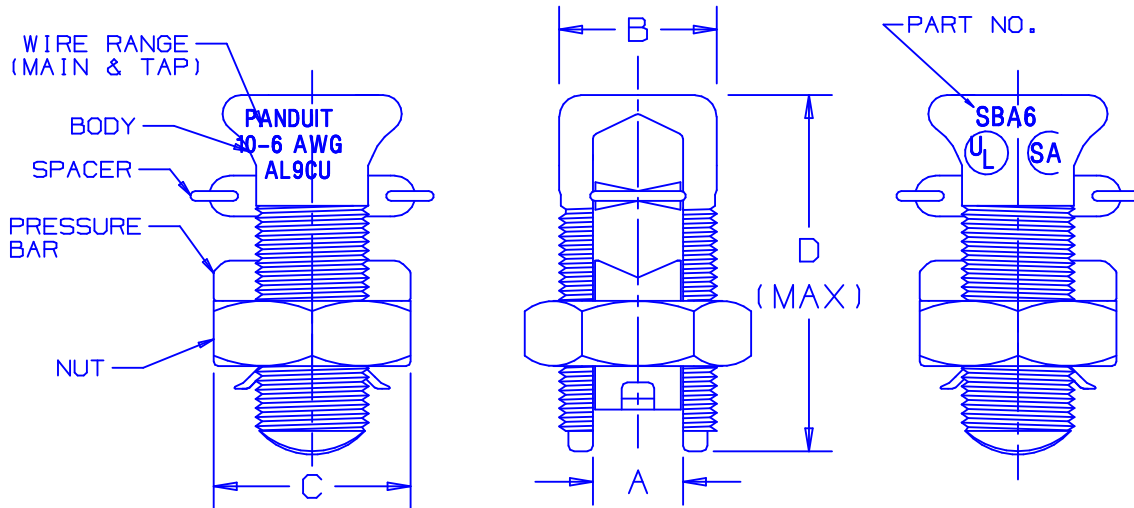
Email & Skype: info@chipsmall.com Web: www.chipsmall.com

Address: A1208, Overseas Decoration Building, #122 Zhenhua RD., Futian, Shenzhen, China



PART NUMBER	WIDTH "A"	BODY WIDTH "B"	NUT HEX "C"	LENGTH "D"	THREAD	TIGHTENING TORQUE IN-LB
SBA6	.204	.56	.75	1.58	9/16"-18UNF	165
SBA4	.258	.62	.81	1.38	5/8"-18UNF	165
SBA2	.323	.69	.94	1.58	11/16"-16UN	275
SBA1/0	.385	.75	1.00	1.92	3/4"-16UNF	385
SBA2/0	.435	.88	1.12	1.92	7/8"-14UNF	385
SBA4/0	.544	1.13	1.49	2.54	1 3/16"-12UN	500

PART NUMBER	ALUM. TO ALUM., ALUM TO COPPER, COPPER TO COPPER CONDUCTORS					
	MAX. RUN TO MAX. TAP		MIN. RUN TO MIN. TAP		MAX. RUN TO MIN. TAP	
SBA6	#6 STR(.184)	#6 STR(.184)	#10 SOL(.102)	#10 SOL(.102)	#6 STR(.184)	#10 SOL(.102)
SBA4	#4 STR(.232)	#4 STR(.232)	#8 SOL(.129)	#10 SOL(.102)	#4 STR(.232)	#10 SOL(.102)
SBA2	#2 STR(.292)	#2 STR(.292)	#6 SOL(.169)	#8 STR(.146)	#2 STR(.292)	#8 STR(.146)
SBA1/0	#1/0 STR(.373)	#1/0 STR(.373)	#2 STR(.268) (COMPACT)	#8 SOL(.129)	#1/0 STR(.373)	#8 SOL(.129)
SBA2/0	#2/0 STR(.418)	#2/0 STR(.418)	#2 STR(.268) (COMPACT)	#8 STR(.146)	#2/0 STR(.418)	#8 STR(.146)
SBA4/0	#4/0 STR(.528)	#4/0 STR(.528)	#2 STR(.268) (COMPACT)	#6 STR(.184)	#4/0 STR(.528)	#6 STR(.184)



NOTES:

1. ALL SPLIT BOLT COMPONENTS ARE ALUMINUM ALLOY MATERIAL.
2. SPLIT BOLT BODY, SPACER AND PRESSURE BAR ARE ELECTRO TIN PLATED.
4. U/L LISTED PER UL486B- 90°C RATED. C.S.A. CERTIFIED
5. FOR INSTALLATION OF 90° C MAX RATED CONDUCTORS IN NEC APPLICATIONS THERE IS NO NEED TO SCRATCH BRUSH AND NO NEED TO USE OXIDE INHIBITING COMPOUND. FOR ALL OTHER APPLICATIONS OXIDE INHIBITING COMPOUND IS RECOMMENDED.
6. RATED FOR ALUMINUM TO ALUMINUM, ALUMINUM TO COPPER AND COPPER TO COPPER CONDUCTORS.

C41298\_00.PRT

**PANDUIT** CORP.

TINLEY PARK, ILLINOIS

ALUMINUM SPLIT BOLT CONNECTORS  
#6 AWG THRU 4/0 AWG

0	01/01	EJS		RELEASED					
REV	DATE	BY	CHK	DESCRIPTION	ECN #	CUST	PM	DRAWN BY	CHK'D

								EJS		NONE	C41298
--	--	--	--	--	--	--	--	-----	--	------	--------