



Chipsmall Limited consists of a professional team with an average of over 10 year of expertise in the distribution of electronic components. Based in Hongkong, we have already established firm and mutual-benefit business relationships with customers from,Europe,America and south Asia,supplying obsolete and hard-to-find components to meet their specific needs.

With the principle of “Quality Parts,Customers Priority,Honest Operation,and Considerate Service”,our business mainly focus on the distribution of electronic components. Line cards we deal with include Microchip,ALPS,ROHM,Xilinx,Pulse,ON,Everlight and Freescale. Main products comprise IC,Modules,Potentiometer,IC Socket,Relay,Connector.Our parts cover such applications as commercial,industrial, and automotives areas.

We are looking forward to setting up business relationship with you and hope to provide you with the best service and solution. Let us make a better world for our industry!



Contact us

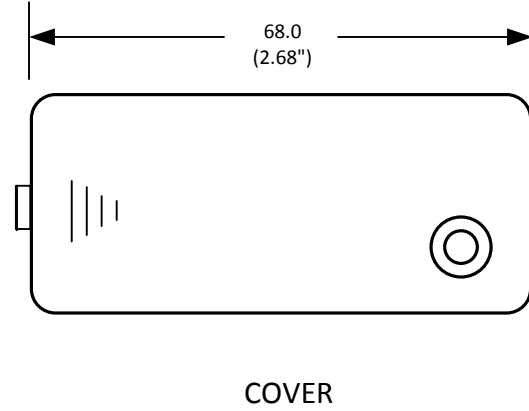
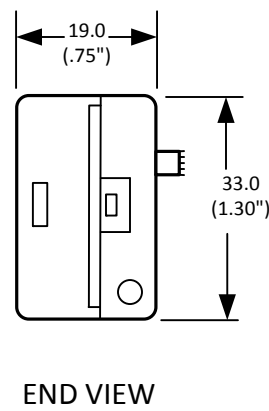
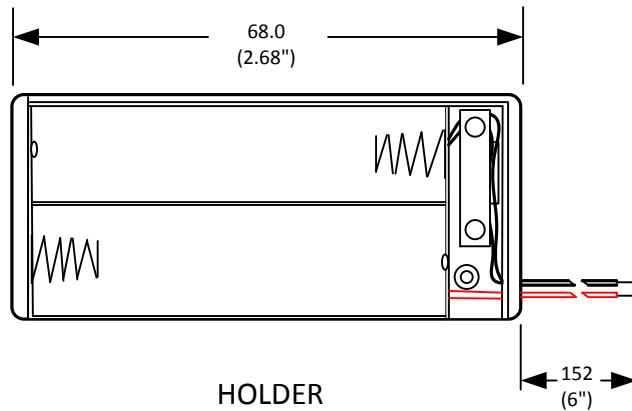
Tel: +86-755-8981 8866 Fax: +86-755-8427 6832

Email & Skype: info@chipsmall.com Web: www.chipsmall.com

Address: A1208, Overseas Decoration Building, #122 Zhenhua RD., Futian, Shenzhen, China



DATE	SYM	REVISION RECORD	AUTH	DR.	CK.
4/22/06	A	ADDED "ROHS COMPLIANT"	T.B.	B.S.	
08/17/12	B	ADDED FLAMMABILITY RATING AND TEMP. RANGE	T.B.	B.S.	
02/22/13	C	DIM. 68.0 WAS 68.5, DIM. 33.0 WAS 48.5, DIM. 19.0 WAS 18.5 UPDATED TO ROHS 2 COMPLIANT	T.B.	B.S.	



SPECIFICATIONS:

ITEM NO. : SBH-331AS

WIRE : UL 1007, #26 AWG

BLACK & RED : 150 MM ± 5MM

STRIP & TIN : 5 MM ± 1MM

MATERIAL: A.B.S. RESIN, UL94-HB

BLACK COLOR

SPRING : .6 MM 65C SPRING WIRE

TEMPERATURE RANGE: -40°F TO +170°F


DESCR. : FOR FOUR "AA" CELLS WITH

SLIDING SWITCH, COVER & SCREW

SERIES CONNECTION, 4.5 VOLTS

ROHS 2 COMPLIANT

Note: Dimensions in mm. (inches)

TOLERANCES (EXCEPT AS NOTED)	 Memory Protection Devices, Inc. 200 Broad Hollow Road, Farmingdale, New York 11735		
DECIMAL + .5 (.020) - .5 (.020)	SCALE	DRAWN BY S.C.	
FRACTIONAL + .8 (.030) - .8 (.030)	APPROVED BY		
ANGULAR + 3° - 3°	DATE 02/22/2013	DRAWING NUMBER SBH-321AS	
TITLE 2 CELL AA HOLDER WITH COVER & SWITCH			