



Chipsmall Limited consists of a professional team with an average of over 10 year of expertise in the distribution of electronic components. Based in Hongkong, we have already established firm and mutual-benefit business relationships with customers from,Europe,America and south Asia,supplying obsolete and hard-to-find components to meet their specific needs.

With the principle of “Quality Parts,Customers Priority,Honest Operation,and Considerate Service”,our business mainly focus on the distribution of electronic components. Line cards we deal with include Microchip,ALPS,ROHM,Xilinx,Pulse,ON,Everlight and Freescale. Main products comprise IC,Modules,Potentiometer,IC Socket,Relay,Connector.Our parts cover such applications as commercial,industrial, and automotives areas.

We are looking forward to setting up business relationship with you and hope to provide you with the best service and solution. Let us make a better world for our industry!



Contact us

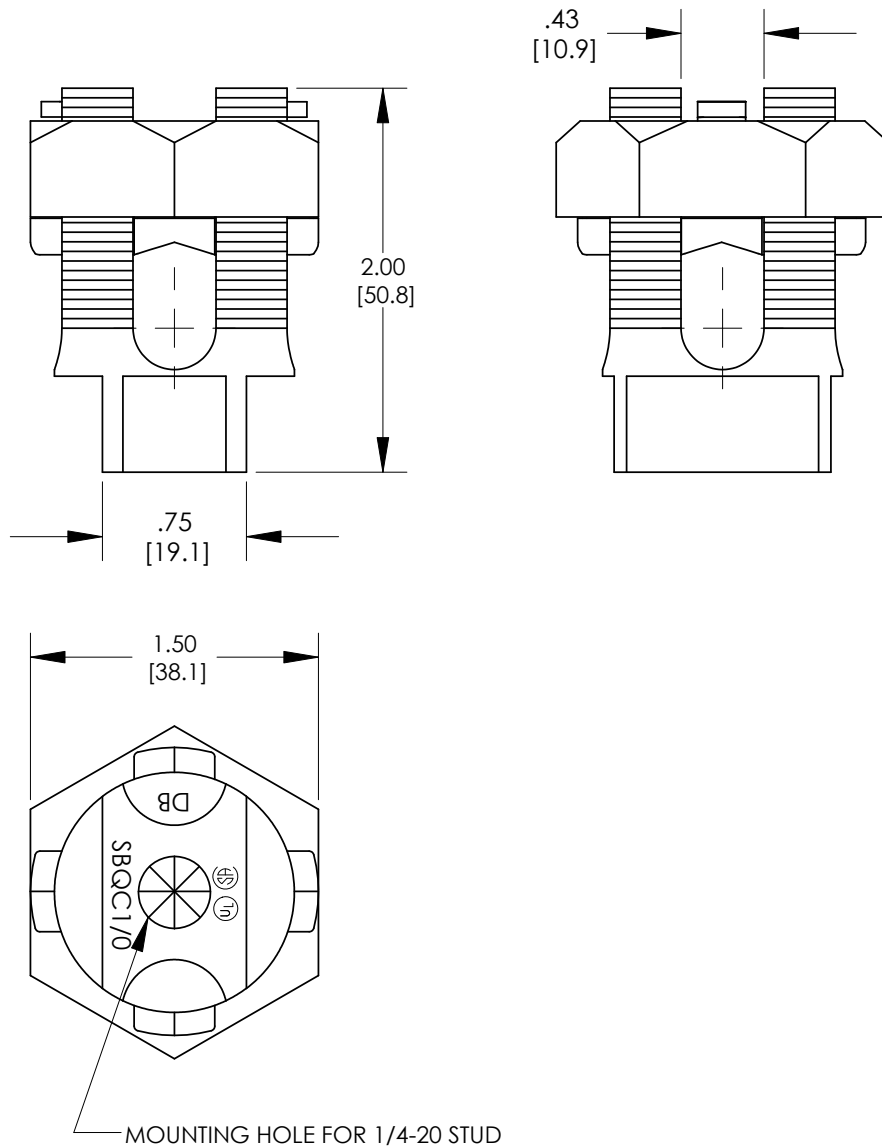
Tel: +86-755-8981 8866 Fax: +86-755-8427 6832

Email & Skype: info@chipsmall.com Web: www.chipsmall.com

Address: A1208, Overseas Decoration Building, #122 Zhenhua RD., Futian, Shenzhen, China

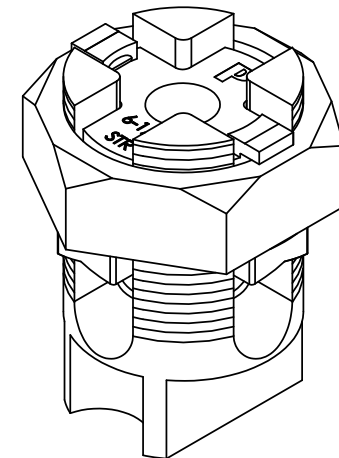


THIS COPY IS PROVIDED ON A RESTRICTED BASIS AND IS NOT TO BE USED IN ANY WAY DETRIMENTAL TO THE INTERESTS OF PANDUIT CORP.



NOTES:

1. DIMENSION IN PARENTHESIS ARE MILLIMETERS
2. WIRE RANGE: #6 AWG SOLID TO 1/0 STRANDED (16 TO 50 mm)
3. TIGHTENING TORQUE: #6 - #4 AWG = 165 lbf-in
#3 - #1 AWG = 275 lbf-in
1/0 AWG = 385 lbf-in
4. INSTALLATION TOOL: 1-1/2" HEX WRENCH FOR HEX NUT
3/4" HEX WRENCH FOR BODY
5. MATERIAL: HIGH CONDUCTIVITY BRONZE ALLOY
6. CLAMP IS UL LISTED AND CSA CERTIFIED AND SUITABLE FOR USE IN DIRECT BURIAL APPLICATIONS



10N016AC-NC/00A

00	4/10	JHNU	RGB	DRAWING RELEASED	10N016AC-NC	FLD
REV	DATE	BY	CHK	DESCRIPTION	ECN	APP

PANDUIT CORP. TINLEY PARK, ILLINOIS
 SPLIT BOLT QUAD CLAMP
 (SBQC1/0-X)
 CUSTOMER DRAWING

SCALE	N/A	DRAWING NO / CAD FILE	10N016AC-NC
-------	-----	-----------------------	-------------