



Chipsmall Limited consists of a professional team with an average of over 10 year of expertise in the distribution of electronic components. Based in Hongkong, we have already established firm and mutual-benefit business relationships with customers from,Europe,America and south Asia,supplying obsolete and hard-to-find components to meet their specific needs.

With the principle of "Quality Parts,Customers Priority,Honest Operation,and Considerate Service",our business mainly focus on the distribution of electronic components. Line cards we deal with include Microchip,ALPS,ROHM,Xilinx,Pulse,ON,Everlight and Freescale. Main products comprise IC,Modules,Potentiometer,IC Socket,Relay,Connector.Our parts cover such applications as commercial,industrial, and automotives areas.

We are looking forward to setting up business relationship with you and hope to provide you with the best service and solution. Let us make a better world for our industry!



## Contact us

Tel: +86-755-8981 8866 Fax: +86-755-8427 6832

Email & Skype: info@chipsmall.com Web: www.chipsmall.com

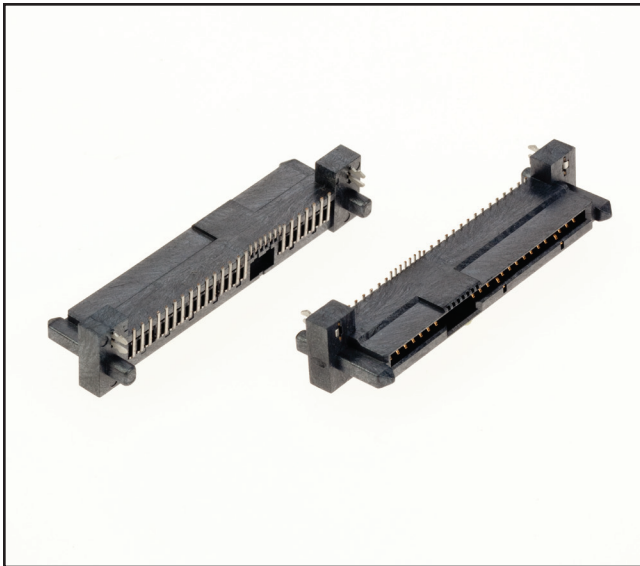
Address: A1208, Overseas Decoration Building, #122 Zhenhua RD., Futian, Shenzhen, China



# 3M™ Serial Attached SCSI (SAS) Connector

Boardmount Compliant Pin and Surface Mount, Vertical Receptacle

SBR Series



- 6 Gbps input/output connector for backplane applications
- Two contact mating levels for early-mate and late-break allows “blind mating” or “hot swap” applications
- Capable of accepting HDD fitted with SAS or Serial Advanced Technology Attachment (SATA) Header
- Compliant pin
- Compatible with drives compliant to SFF-8223, SFF-8323, and SFF-8523
- Compliant to SFF-8482 Rev 2.2
- Meets SAS Specification, SAS-2.0
- See the Regulatory Information Appendix (RIA) in the “RoHS compliance” section of [www.3Mconnector.com](http://www.3Mconnector.com) for compliance information (RIA E1 & C1 apply)

Date Modified: April 22, 2010

TS-2176-E  
Sheet 1 of 5

---

## Physical

**Insulation:**

Material: High Temperature Thermoplastic  
Flammability: UL94V-0  
Color: Black

**Contact:**

Material: Copper Alloy

**Plating:**

Underplating: 50 μ" [ 1.27 μm ] Min. Nickel  
Wiping Area: 30 μ" [ 0.76 μm ] Min. Gold  
Solder Tails: 100 μ" [ 2.54 μm ] Min. Matte Tin or Gold Flash

**Marking:** 3M Logo

---

## Electrical

**Current Rating:** Power Pin: 1.5 A  
Signal Pin: 500 mA

**Insulation Resistance:** 10<sup>3</sup> MΩ min.

**Withstanding Voltage:** 500 V<sub>AC</sub> at sea level

---

## Environmental

**Temperature Range:** -40°C to +85°C

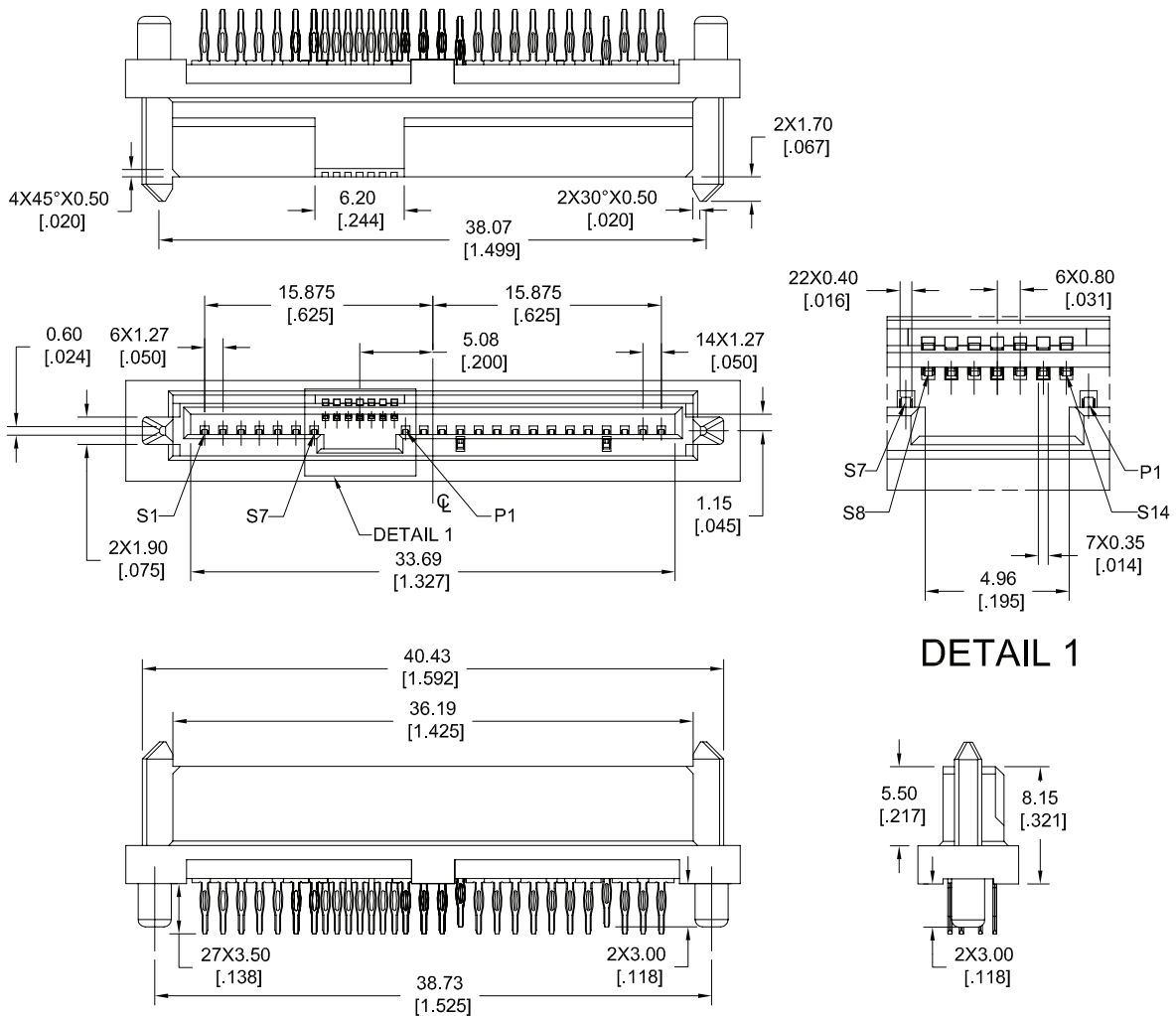
UL File No.: E68080

# 3M™ Serial Attached SCSI (SAS) Connector

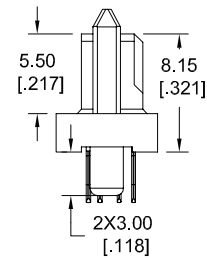
Boardmount Compliant Pin and Surface Mount, Vertical Receptacle

SBR Series

Compliant Pin



DETAIL 1



Tolerance Unless Noted			
	mm	mm	mm
	.0	.00	.000
mm	±.38	±.25	±.13
inch	±.015	±.010	±.005

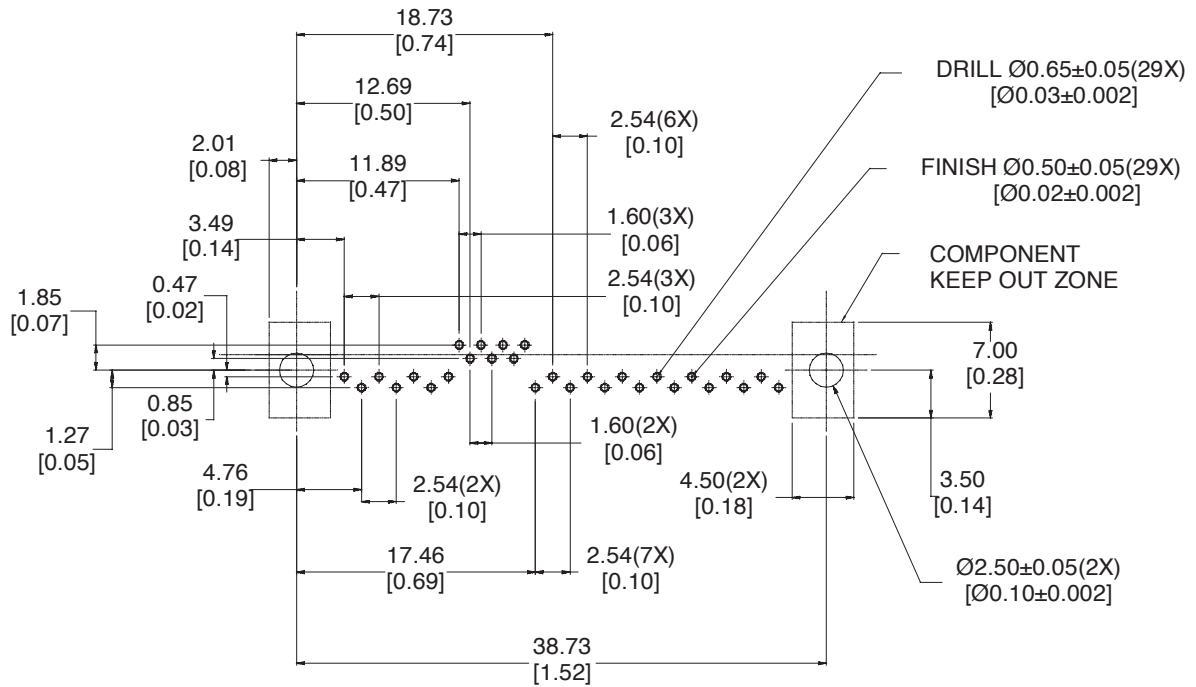
[ ] Dimensions for Reference only



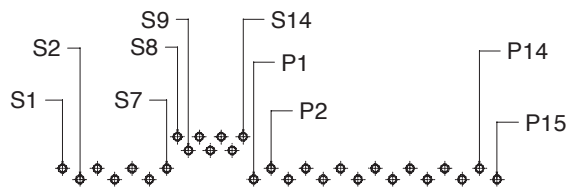
# 3M™ Serial Attached SCSI (SAS) Connector

Boardmount Compliant Pin and Surface Mount, Vertical Receptacle

SBR Series



RECOMMENDED PCB LAYOUT



CONNECTOR PIN PATTERN LAYOUT  
FROM TOP SIDE OF PCB

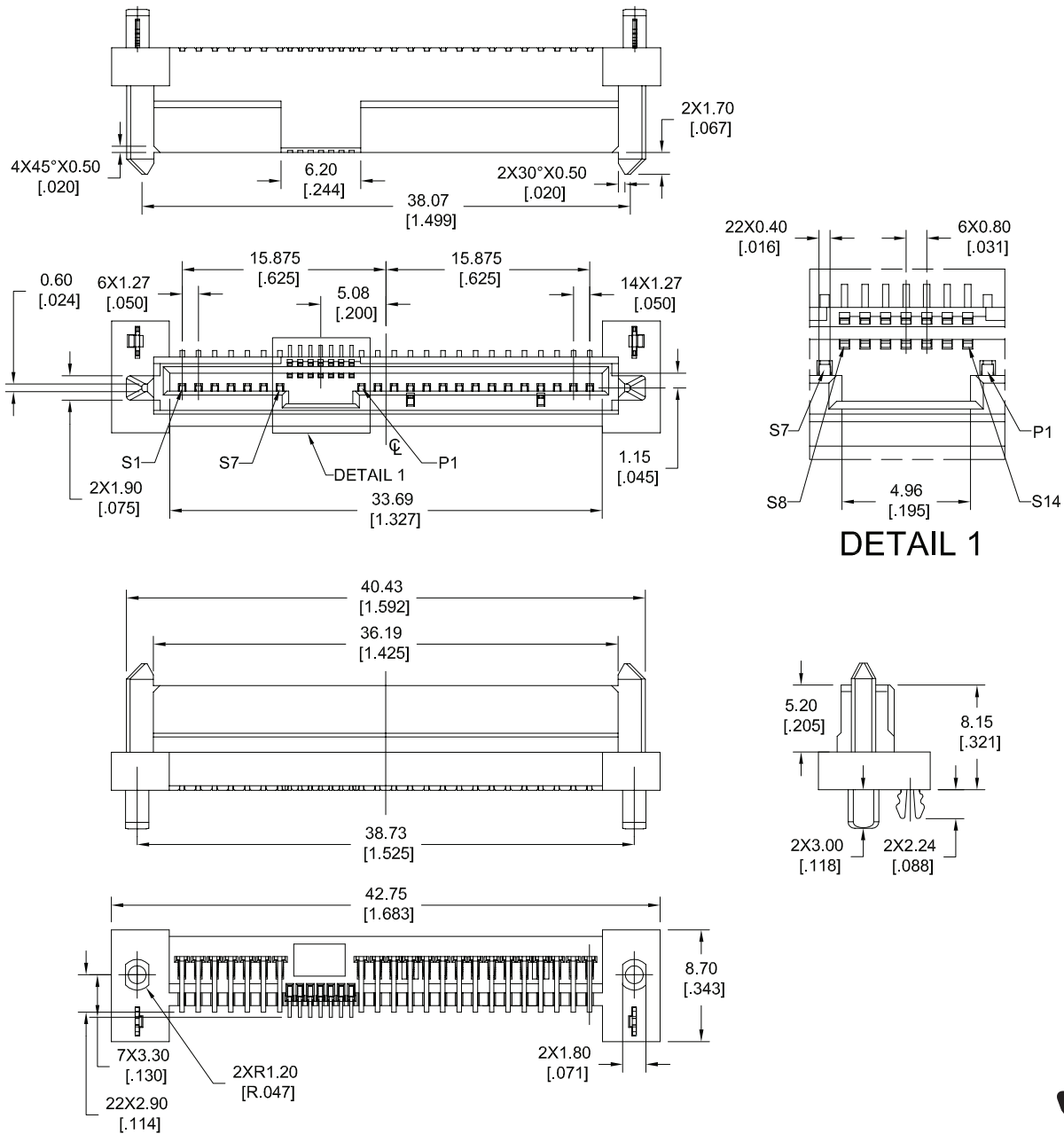
TS-2176-E  
Sheet 3 of 5

# 3M™ Serial Attached SCSI (SAS) Connector

Boardmount Compliant Pin and Surface Mount, Vertical Receptacle

SBR Series

## Vertical Surface Mount



CONNECTOR PIN ASSIGNMENT			
S1 - GROUND	S8 - GROUND	P1 - 3.3 V	P8 - 5 V
S2 - A+	S9 - A+	P2 - 3.3 V	P9 - 5 V
S3 - A-	S10 - A-	P3 - 3.3 V	P10 - GROUND
S4 - GROUND	S11 - GROUND	P4 - GROUND	P11 - GROUND
S5 - B-	S12 - B-	P5 - GROUND	P12 - GROUND
S6 - B+	S13 - B+	P6 - GROUND	P13 - 12 V
S7 - GROUND	S14 - GROUND	P7 - 5 V	P14 - 12 V
		P15 - 12V	

mm [inch]			
Tolerance Unless Noted			
	.0	.00	.000
mm	±.38	±.25	±.13
inch	±.015	±.010	±.005

[ ] Dimensions for Reference only

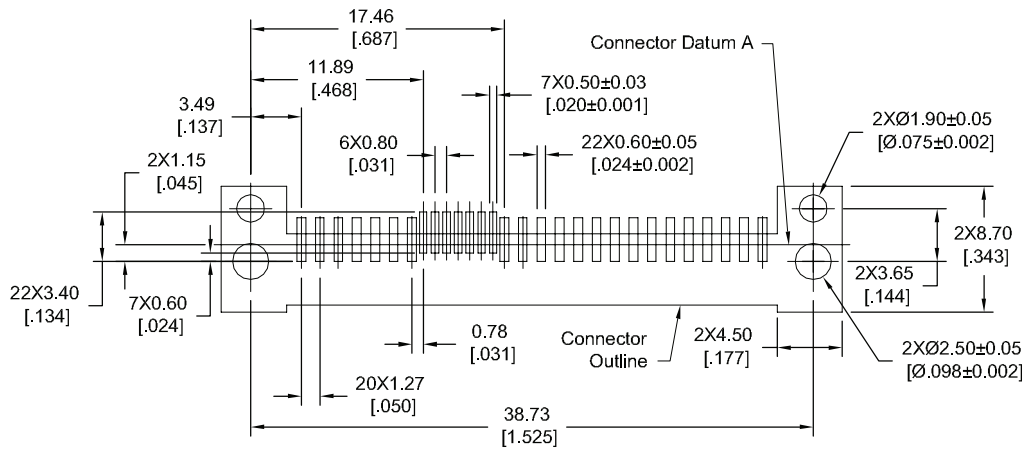


TS-2176-E  
Sheet 4 of 5

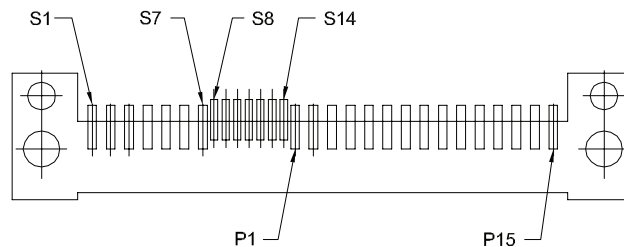
# 3M™ Serial Attached SCSI (SAS) Connector

Boardmount Compliant Pin and Surface Mount, Vertical Receptacle

SBR Series



RECOMMENDED PCB THICKNESS 1.65 [0.066] NORMAL HOLE & PAD PATTERN TOL ±0.05 [0.002]



CONNECTOR PIN PATTERN LAYOUT FROM TOP SIDE OF PCB

## Ordering Information

**SBR - ST - 29 - X - XX** (RIA E1 & C1 apply)

Termination Style:  
M = Surface Mount  
P = Press Fit

Plating:  
FT  
ML

TS-2176-E  
Sheet 5 of 5

**Important Notice**

All statements, technical information, and recommendations related to 3M's products are based on information believed to be reliable, but the accuracy or completeness is not guaranteed. Before using this product, you must evaluate it and determine if it is suitable for your intended application. You assume all risks and liability associated with such use. Any statements related to the product which are not contained in 3M's current publications, or any contrary statements contained on your purchase order shall have no force or effect unless expressly agreed upon, in writing, by an authorized officer of 3M.

**Warranty; Limited Remedy; Limited Liability.**

This product will be free from defects in material and manufacture for a period of one (1) year from the time of purchase. **3M MAKES NO OTHER WARRANTIES INCLUDING, BUT NOT LIMITED TO, ANY IMPLIED WARRANTY OF MERCHANTABILITY OR FITNESS FOR A PARTICULAR PURPOSE.** If this product is defective within the warranty period stated above, your exclusive remedy shall be, at 3M's option, to replace or repair the 3M product or refund the purchase price of the 3M product. **Except where prohibited by law, 3M will not be liable for any indirect, special, incidental or consequential loss or damage arising from this 3M product, regardless of the legal theory asserted.**

**3M Electronics Solutions Division**

6801 River Place Blvd.  
Austin, TX 78726-9000  
U.S.A.  
1-800-225-5373  
[www.3Mconnector.com](http://www.3Mconnector.com)

Please recycle. Printed in USA.  
© 3M 2010. All rights reserved.  
RIA-2217B-E

3M is a trademark of 3M Company.