



Chipsmall Limited consists of a professional team with an average of over 10 year of expertise in the distribution of electronic components. Based in Hongkong, we have already established firm and mutual-benefit business relationships with customers from,Europe,America and south Asia,supplying obsolete and hard-to-find components to meet their specific needs.

With the principle of "Quality Parts,Customers Priority,Honest Operation,and Considerate Service",our business mainly focus on the distribution of electronic components. Line cards we deal with include Microchip,ALPS,ROHM,Xilinx,Pulse,ON,Everlight and Freescale. Main products comprise IC,Modules,Potentiometer,IC Socket,Relay,Connector.Our parts cover such applications as commercial,industrial, and automotives areas.

We are looking forward to setting up business relationship with you and hope to provide you with the best service and solution. Let us make a better world for our industry!



## Contact us

Tel: +86-755-8981 8866 Fax: +86-755-8427 6832

Email & Skype: info@chipsmall.com Web: www.chipsmall.com

Address: A1208, Overseas Decoration Building, #122 Zhenhua RD., Futian, Shenzhen, China



## Features

- Ultra Low Forward Voltage Drop
- Excellent High Temperature Stability
- Patented Super Barrier Rectifier Technology
- Soft, Fast Switching Capability
- **Lead-Free Finish; RoHS Compliant (Notes 1 & 2)**
- **Also Available in Green Molding Compound**
  - **Halogen and Antimony Free. "Green" Device (Note 3)**

## Mechanical Data

- Case: TO-220AB and ITO-220AB
- Case Material: Molded Plastic, UL Flammability Classification Rating 94V-0
- Terminals: Matte Tin Finish annealed over Copper leadframe. Solderable per MIL-STD-202, Method 208 <sup>(e3)</sup>
- Weight: TO-220AB – 1.85 grams (approximate)  
ITO-220AB -1.65 grams (approximate)



TO-220AB  
Top View



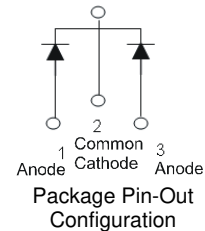
TO-220AB  
Bottom View



ITO-220AB  
Top View



ITO-220AB  
Bottom View

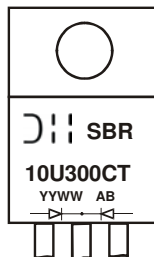


## Ordering Information (Notes 4 and 5)

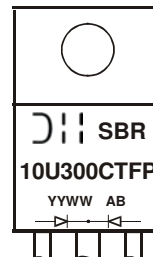
|  | Part Number      | Case                  | Packaging      |
|--|------------------|-----------------------|----------------|
|  | SBR10U300CT      | TO-220AB              | 50 pieces/tube |
|  | SBR10U300CT-G    | TO-220AB              | 50 pieces/tube |
|  | SBR10U300CTFP    | ITO-220AB             | 50 pieces/tube |
|  | SBR10U300CTFP-G  | ITO-220AB             | 50 pieces/tube |
|  | SBR10U300CTFP-JT | ITO-220AB (Alternate) | 50 pieces/tube |

- Notes:
1. EU Directive 2002/95/EC (RoHS) & 2011/65/EU (RoHS 2) compliant. All applicable RoHS exemptions applied.
  2. See <http://www.diodes.com> for more information about Diodes Incorporated's definitions of Halogen- and Antimony-free, "Green" and Lead-free.
  3. Halogen- and Antimony-free "Green" products are defined as those which contain <900ppm bromine, <900ppm chlorine (<1500ppm total Br + Cl) and <1000ppm antimony compounds.
  4. For Green Molding Compound version part numbers, add "-G" suffix to part number above. Examples: SBR10U300CT-G.
  5. For packaging details, go to our website at <http://www.diodes.com>.

## Marking Information



SBR10U300CT = Product Type Marking Code  
 AB = Foundry and Assembly Code  
 YYWW = Date Code Marking  
 YY = Last two digits of year (ex: 06 = 2006)  
 WW = Week (01 - 53)



SBR10U300CTFP = Product Type Marking Code  
 AB = Foundry and Assembly Code  
 YYWW = Date Code Marking  
 YY = Last two digits of year (ex: 06 = 2006)  
 WW = Week (01 - 53)

### Maximum Ratings @ $T_A = 25^\circ\text{C}$ unless otherwise specified

Single phase, half wave, 60Hz, resistive or inductive load.  
 For capacitance load, derate current by 20%.

| Characteristic  | Symbol    | Value | Unit |
|---|-----------|-------|------|
| Peak Repetitive Reverse Voltage   | $V_{RRM}$ | 300   | V    |
| Working Peak Reverse Voltage  | $V_{RWM}$ |       |      |
| DC Blocking Voltage   | $V_{RM}$  |       |      |
| Average Rectified Output Current @ $T_C = 150^\circ\text{C}$  | $I_O$     | 10    | A    |
| Non-Repetitive Peak Forward Surge Current 8.3ms<br>Single Half Sine-Wave Superimposed on Rated Load | $I_{FSM}$ | 150   | A    |
| Peak Repetitive Reverse Surge Current (2 $\mu\text{s}$ -1kHz)                                       | $I_{RRM}$ | 3     | A    |
| Isolation Voltage (ITO-220AB Only)<br>From terminal to heatsink $t = 3$ sec.                        | $V_{AC}$  | 2000  | V    |

### Thermal Characteristics

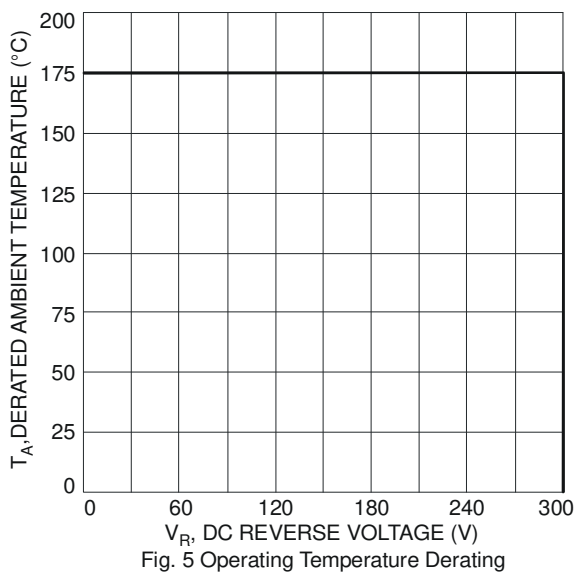
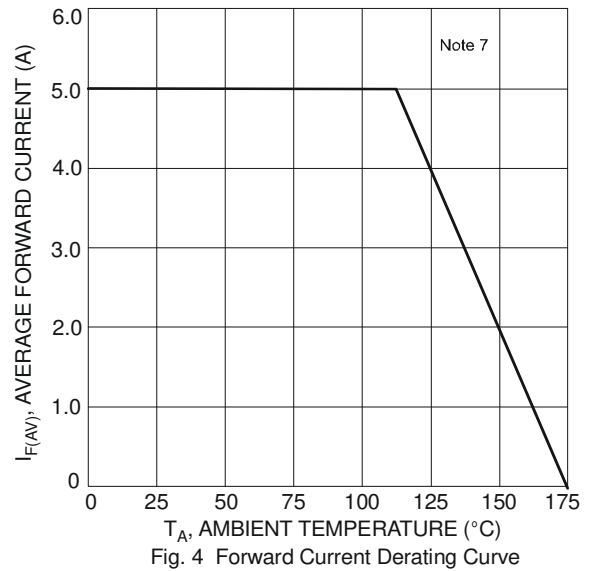
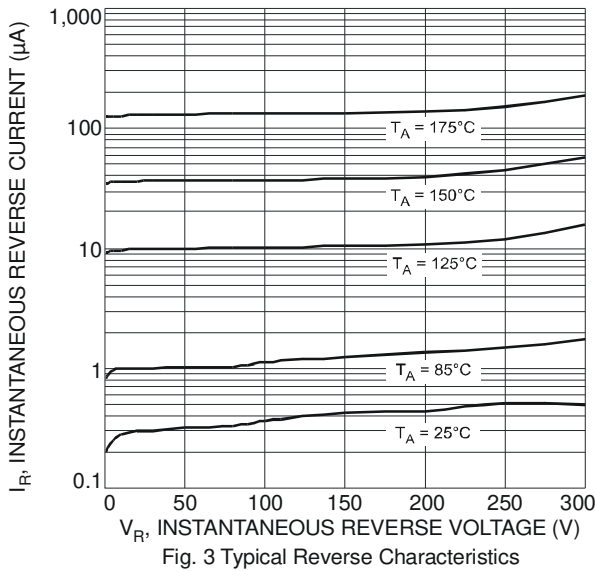
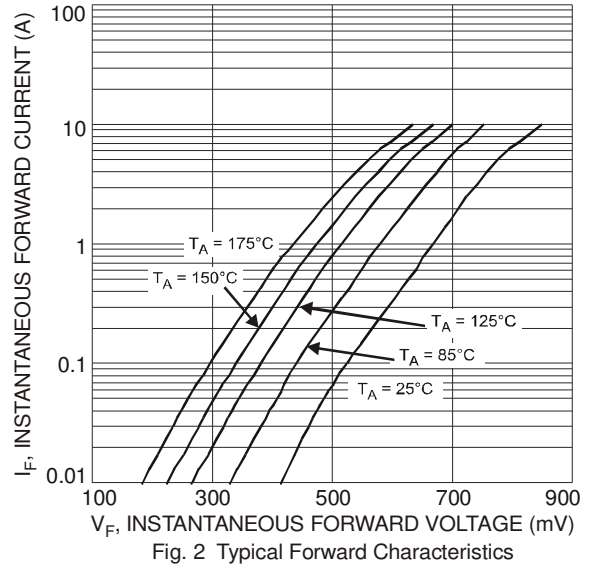
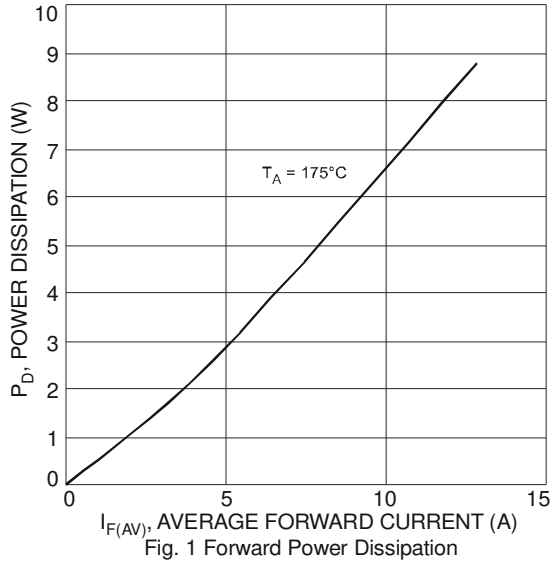
| Characteristic   | Symbol          | Value       | Unit                      |
|--|-----------------|-------------|---------------------------|
| Typical Thermal Resistance (per leg)<br>Package = TO-220AB | $R_{\theta JC}$ | 2           | $^\circ\text{C}/\text{W}$ |
| Package = ITO-220AB  |                 | 4           |                           |
| Operating and Storage Temperature Range                    | $T_J, T_{STG}$  | -65 to +175 | $^\circ\text{C}$          |

### Electrical Characteristics @ $T_A = 25^\circ\text{C}$ unless otherwise specified

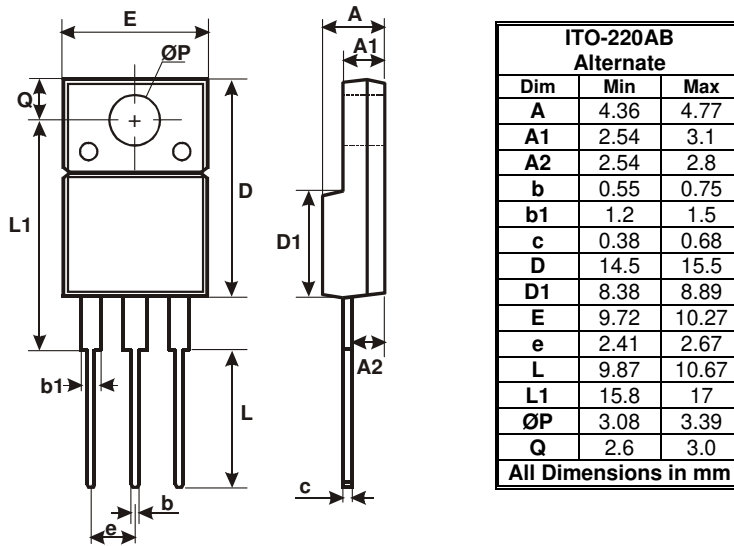
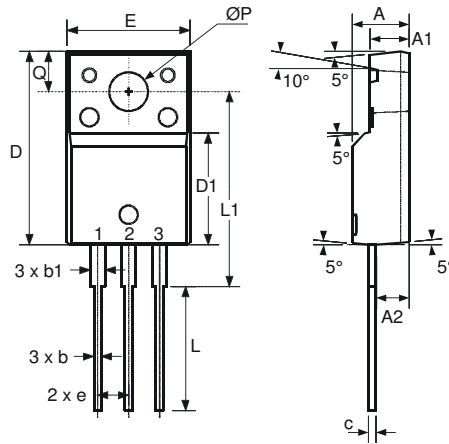
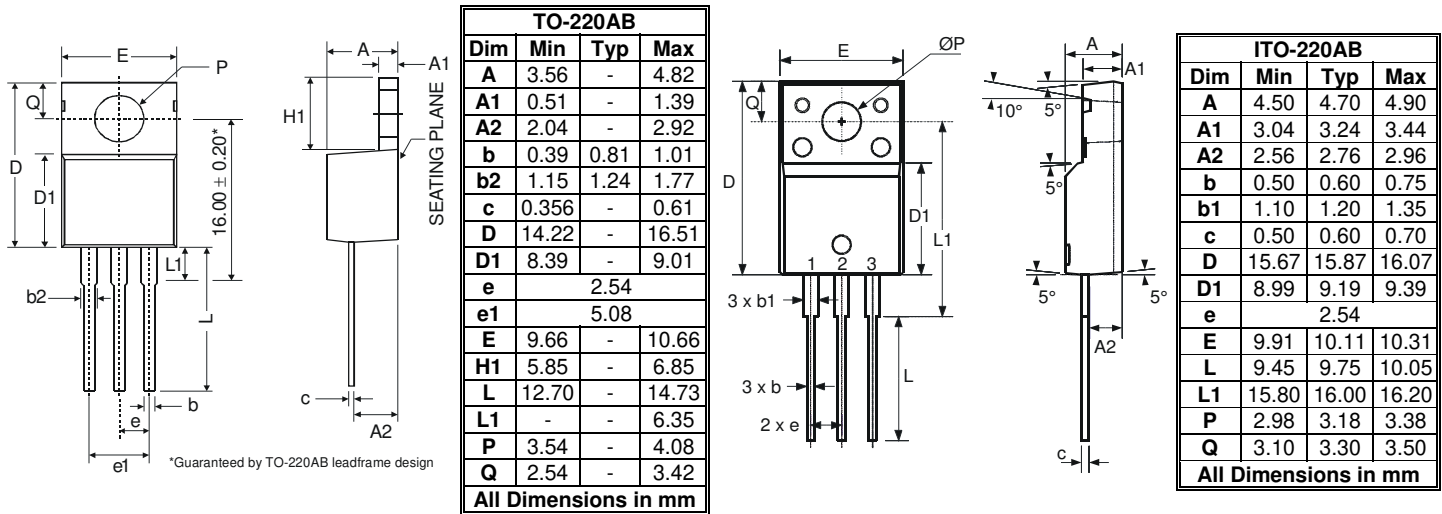
| Characteristic           | Symbol   | Min | Typ  | Max  | Unit | Test Condition   |
|--------------------------|----------|-----|------|------|------|--|
| Forward Voltage Drop     | $V_F$    | -   | -    | 0.86 | V    | $I_F = 5\text{A}, T_J = 25^\circ\text{C}$  |
|                          |          |     | 0.64 | 0.71 |      | $I_F = 5\text{A}, T_J = 125^\circ\text{C}$   |
|                          |          |     | -    | 0.92 |      | $I_F = 10\text{A}, T_J = 25^\circ\text{C}$   |
| Leakage Current (Note 6) | $I_R$    | -   | -    | 0.2  | mA   | $V_R = 300\text{V}, T_J = 25^\circ\text{C}$  |
|                          |          |     |      | 25   |      | $V_R = 300\text{V}, T_J = 125^\circ\text{C}$   |
| Reverse Recovery Time    | $t_{rr}$ | -   | 25   | 30   | ns   | $I_F = 0.5\text{A}, I_R = 1\text{A}, I_{RR} = 0.25\text{A}$                                      |
|                          |          | -   | 28   | 35   |      | $I_F = 1\text{A}, V_R = 30\text{V}$<br>$di/dt = 100\text{A}/\mu\text{s}, T_J = 25^\circ\text{C}$ |

Notes: 6. Short duration pulse test used to minimize self-heating effect.  
 7. Using heatsink (by Black Aluminum 45mm \* 20mm \* 12mm).





**Package Outline Dimensions**



#### IMPORTANT NOTICE

DIODES INCORPORATED MAKES NO WARRANTY OF ANY KIND, EXPRESS OR IMPLIED, WITH REGARDS TO THIS DOCUMENT, INCLUDING, BUT NOT LIMITED TO, THE IMPLIED WARRANTIES OF MERCHANTABILITY AND FITNESS FOR A PARTICULAR PURPOSE (AND THEIR EQUIVALENTS UNDER THE LAWS OF ANY JURISDICTION).

Diodes Incorporated and its subsidiaries reserve the right to make modifications, enhancements, improvements, corrections or other changes without further notice to this document and any product described herein. Diodes Incorporated does not assume any liability arising out of the application or use of this document or any product described herein; neither does Diodes Incorporated convey any license under its patent or trademark rights, nor the rights of others. Any Customer or user of this document or products described herein in such applications shall assume all risks of such use and will agree to hold Diodes Incorporated and all the companies whose products are represented on Diodes Incorporated website, harmless against all damages.

Diodes Incorporated does not warrant or accept any liability whatsoever in respect of any products purchased through unauthorized sales channel. Should Customers purchase or use Diodes Incorporated products for any unintended or unauthorized application, Customers shall indemnify and hold Diodes Incorporated and its representatives harmless against all claims, damages, expenses, and attorney fees arising out of, directly or indirectly, any claim of personal injury or death associated with such unintended or unauthorized application.

Products described herein may be covered by one or more United States, international or foreign patents pending. Product names and markings noted herein may also be covered by one or more United States, international or foreign trademarks.

#### LIFE SUPPORT

Diodes Incorporated products are specifically not authorized for use as critical components in life support devices or systems without the express written approval of the Chief Executive Officer of Diodes Incorporated. As used herein:

A. Life support devices or systems are devices or systems which:

1. are intended to implant into the body, or
2. support or sustain life and whose failure to perform when properly used in accordance with instructions for use provided in the labeling can be reasonably expected to result in significant injury to the user.

B. A critical component is any component in a life support device or system whose failure to perform can be reasonably expected to cause the failure of the life support device or to affect its safety or effectiveness.

Customers represent that they have all necessary expertise in the safety and regulatory ramifications of their life support devices or systems, and acknowledge and agree that they are solely responsible for all legal, regulatory and safety-related requirements concerning their products and any use of Diodes Incorporated products in such safety-critical, life support devices or systems, notwithstanding any devices- or systems-related information or support that may be provided by Diodes Incorporated. Further, Customers must fully indemnify Diodes Incorporated and its representatives against any damages arising out of the use of Diodes Incorporated products in such safety-critical, life support devices or systems.

Copyright © 2012, Diodes Incorporated

[www.diodes.com](http://www.diodes.com)