



Chipsmall Limited consists of a professional team with an average of over 10 year of expertise in the distribution of electronic components. Based in Hongkong, we have already established firm and mutual-benefit business relationships with customers from,Europe,America and south Asia,supplying obsolete and hard-to-find components to meet their specific needs.

With the principle of “Quality Parts,Customers Priority,Honest Operation,and Considerate Service”,our business mainly focus on the distribution of electronic components. Line cards we deal with include Microchip,ALPS,ROHM,Xilinx,Pulse,ON,Everlight and Freescale. Main products comprise IC,Modules,Potentiometer,IC Socket,Relay,Connector.Our parts cover such applications as commercial,industrial, and automotives areas.

We are looking forward to setting up business relationship with you and hope to provide you with the best service and solution. Let us make a better world for our industry!



## Contact us

Tel: +86-755-8981 8866 Fax: +86-755-8427 6832

Email & Skype: info@chipsmall.com Web: www.chipsmall.com

Address: A1208, Overseas Decoration Building, #122 Zhenhua RD., Futian, Shenzhen, China



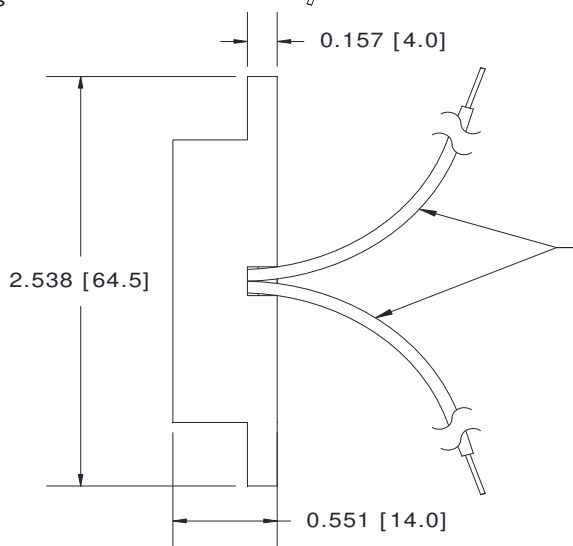
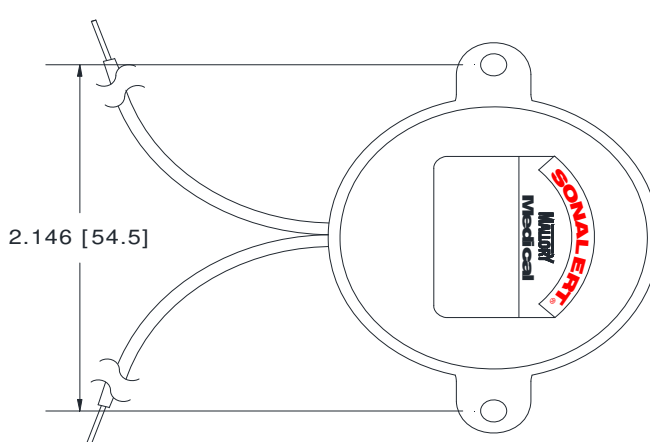
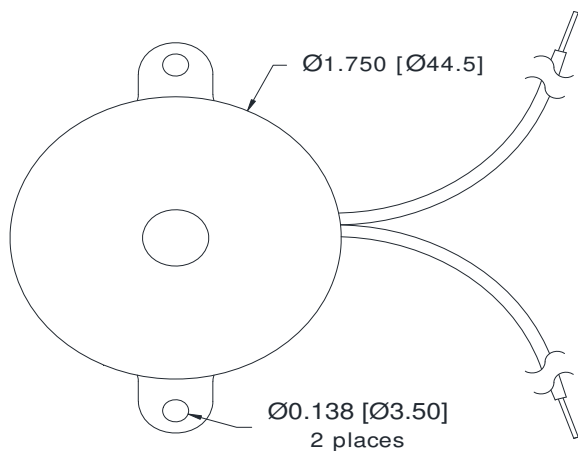
**Sales Outline Drawing**

<b>Specifications:</b>	<b>cUL Recognized as Capable of meeting Medical Spec IEC60601-1-8</b>
Capacitance (pF):	70,000 ± 30% at 120 Hz
Rated Voltage (Vp-p):	5, 30 Max
Current Draw:	1.5 mA at rated voltage
Recommended Drive	200 Hz
Loudness @ 10 CM:	85 to 95 dB(A) Typ.
Harmonics Present:	Minimum of 4 peaks within ±15dB from 1-4kHz
Housing Material:	ABS 777D Plastic Resin, Black
Lead Pin:	Tin Plated Brass
Storage Temperature:	-40° to +85° C
Operating Temperature:	-30° to +65° C
Weight (Typical):	0.56 oz (16g)
Options:	Please contact factory.

**Dimensions:** Inches [mm] **cUL Recognized** **ROHS Compliant**  
 PATENT NUMBER: 7880593

Before Code Date: 1546 Not cUL Recognized

After Code Date: 1547 cUL Recognized



FLEX. STRANDED  
 CONTROL WIRES  
 24 AWG INSULATED  
 APPROX. 6" LONG  
 BLACK WIRE (-)  
 RED WIRE (+)