



Chipsmall Limited consists of a professional team with an average of over 10 year of expertise in the distribution of electronic components. Based in Hongkong, we have already established firm and mutual-benefit business relationships with customers from,Europe,America and south Asia,supplying obsolete and hard-to-find components to meet their specific needs.

With the principle of “Quality Parts,Customers Priority,Honest Operation,and Considerate Service”,our business mainly focus on the distribution of electronic components. Line cards we deal with include Microchip,ALPS,ROHM,Xilinx,Pulse,ON,Everlight and Freescale. Main products comprise IC,Modules,Potentiometer,IC Socket,Relay,Connector.Our parts cover such applications as commercial,industrial, and automotives areas.

We are looking forward to setting up business relationship with you and hope to provide you with the best service and solution. Let us make a better world for our industry!



Contact us

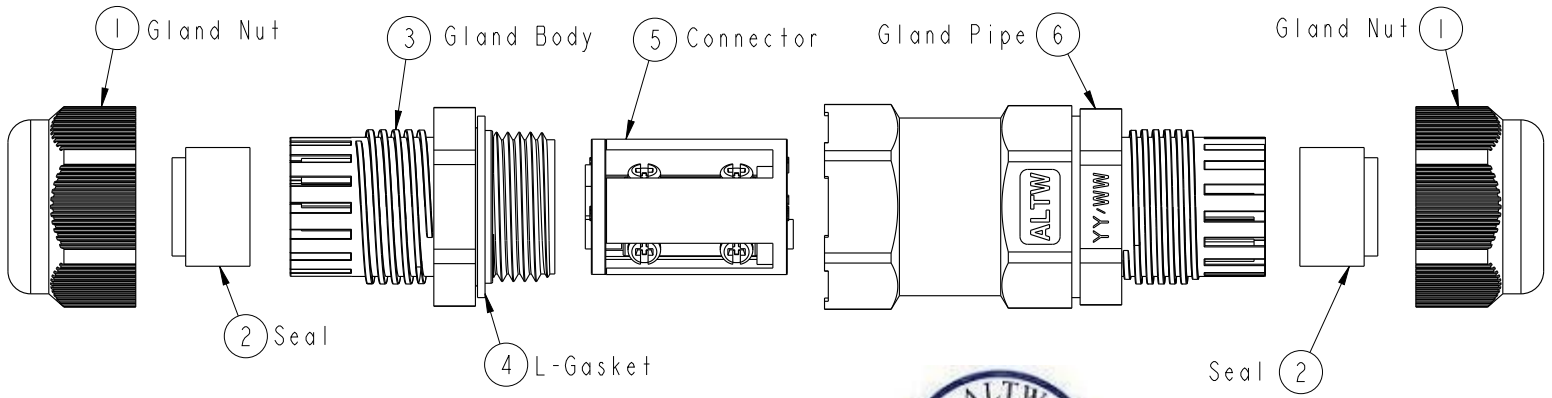
Tel: +86-755-8981 8866 Fax: +86-755-8427 6832

Email & Skype: info@chipsmall.com Web: www.chipsmall.com

Address: A1208, Overseas Decoration Building, #122 Zhenhua RD., Futian, Shenzhen, China

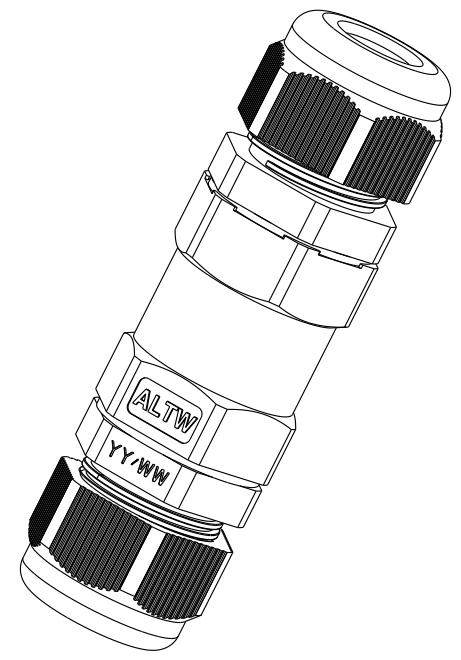
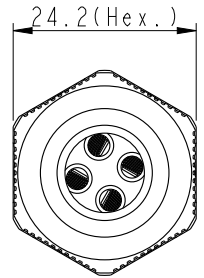
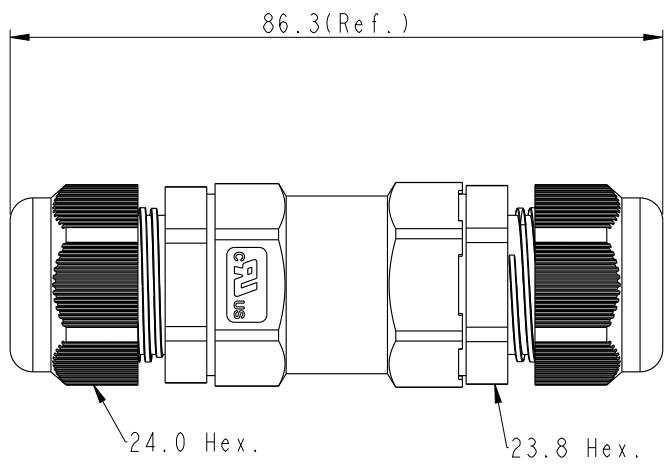
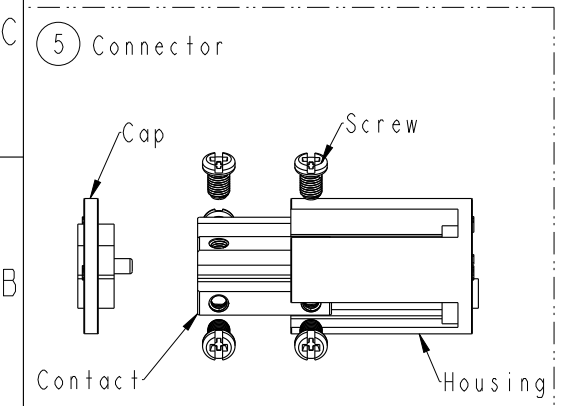


REV.	ECN NO.	DATE	SIGN	DESCRIPTION
A	Initial Release	2017/07/27	Lingpeng	New Item.
B	LEN17A0081~96	2017-10-14	Lingpeng	Add The Label And Change The Title



ALTW
CONFIDENTIAL
 2017-10-14
R&D DEPT.

ALTW
 DCC. DEPT.
 CONFIDENTIAL
 2017.10.25
ISSUED



UNIT: mm		
TOLERANCE	.X ±0.25	
.XX ±0.1		
.XXX ±0.05		
ANGLES	±1°	

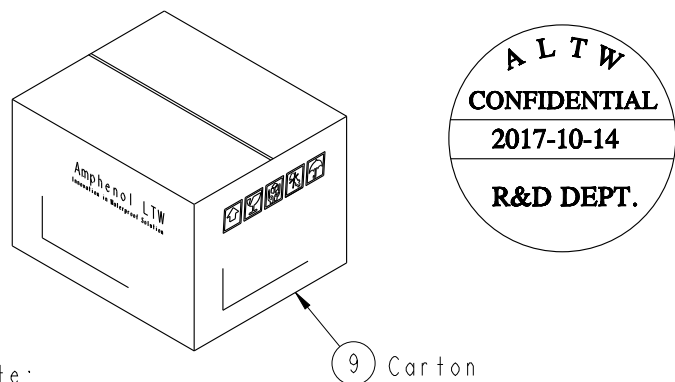
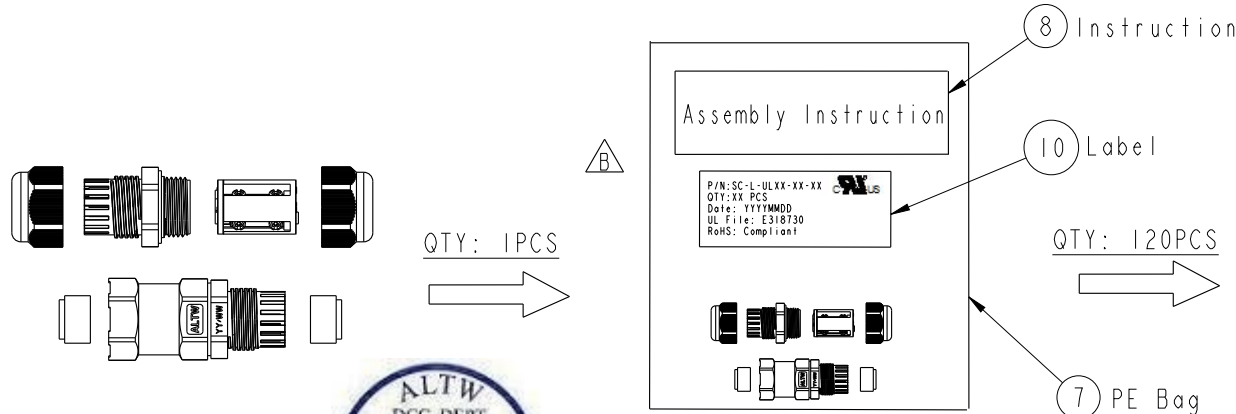
TITLE	UL12 Cable Joiner Screw-in Type		
SCALE	1:1	SIZE	A4
REV.	B	SHEET	1 OF 2
WC-REV.	A.2	QC: Inspection item	

Amphenol LTW
 安費諾亮泰企業股份有限公司

ITEM NO.	DRAWN BY	DATE
	Lingpeng	2017-10-14
DWG NO.	CHECKED BY	DATE
SC-L-UL12-XX-XX	MaFei	2017-10-14
CUSTOMER	APPROVED BY	DATE
ALTW	Jerry	2017-10-14

THIS DOCUMENT IS SUBJECT TO CHANGE WITHOUT NOTICE. IT IS CONFIDENTIAL AND A PROPERTY OF Amphenol LTW. DISCLOSURE TO THIRD PARTY HAS TO BE AUTHORIZED BY Amphenol LTW.

THIS DOCUMENT IS SUBJECT TO CHANGE WITHOUT NOTICE. IT IS CONFIDENTIAL AND A PROPERTY OF Amphenol LTW. DISCLOSURE TO THIRD PARTY HAS TO BE AUTHORIZED BY Amphenol LTW.



Both A Unassembled product And An Instruction Are In A PE Bag.
(將一套未組裝的產品和說明書，放置於一個PE袋，並封口)

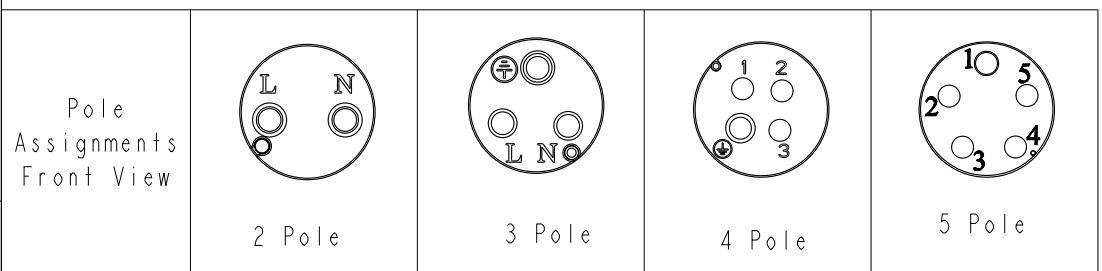
- Note:
- * Important Dimension To Check.
 - * Waterproof Rate: IP68 (50M,24H)
 - * Housing & Cap: PA66+GF, Black.
 - * Gland Pipe: PA66, Black.
 - * Gland Body: PA66, Black.
 - * Gland Nut: PA66, Black.
 - * Contact: Brass, Nickel Plated
 - * L-Gasket : Silicone, Yellow.
 - * Seal: Silicone, Blue & Yellow & Green & Red.
 - * Rated Voltage: 2~5 Pole 600V AC
 - * Rated Current: 2 & 3 Pole Max. 20A ,
4 Pole Max. 15A ,
5 Pole Max. 8A.
 - * Operating Temperature: -40°~+105°.
 - * Gland Body Recommended Tightening Torque:
8~10 Kgf.cm(0.78~0.98 N.m)
 - * Gland Nut Recommended Tightening Torque:
8~10 Kgf.cm(0.78~0.98 N.m)
 - * Seal For Cable OD: $\varnothing 4.5\sim\varnothing 6.5$ mm, Blue.
 $\varnothing 6.5\sim\varnothing 8.5$ mm, Yellow.
 $\varnothing 8.5\sim\varnothing 10.5$ mm, Green .
 $\varnothing 10.5\sim\varnothing 11.5$ mm, Red.
 - * Screws for Wire connection recommended tightening torque: 2.00~4.50 kgf.cm / 0.196~0.44 N.m
 - * Applicable Wire gauge: 18AWG~12AWG(2~4 pole)
18AWG~14AWG(5 pole)
 - * UL2238 Certification

SC-L-UL12-XX-XX

L:Cable Joiner
Type: UL12

Seal's Color: BL-Blue(藍色) For Cable Range: $\varnothing 4.5\sim\varnothing 6.5$ mm
 YW-Yellow(黃色) For Cable Range: $\varnothing 6.5\sim\varnothing 8.5$ mm
 GN-Green(綠色) For Cable Range: $\varnothing 8.5\sim\varnothing 10.5$ mm
 RD-Red(紅色) For Cable Range: $\varnothing 10.5\sim\varnothing 11.5$ mm

No. of Conductor: 02-2Poles
 03-3Poles
 04-4Poles
 05-5Poles



UNIT:mm		TITLE UL12 Cable Joiner Screw-in Type		Amphenol LTW		ITEM NO	DRAWN BY	DATE
TOLERANCE .X ± 0.25 .XX ± 0.1 .XXX ± 0.05 ANGLES $\pm 1^\circ$	SCALE 1:1	SIZE A4	SHEET 2 OF 2	安費諾亮泰企業股份有限公司		DWG NO SC-L-UL12-XX-XX	CHECKED BY MaFei	DATE 2017-10-14
	REV. B	WC-REV. A.2	Inspection item			CUSTOMER ALTW	APPROVED BY Jerry	DATE 2017-10-14