



Chipsmall Limited consists of a professional team with an average of over 10 year of expertise in the distribution of electronic components. Based in Hongkong, we have already established firm and mutual-benefit business relationships with customers from,Europe,America and south Asia,supplying obsolete and hard-to-find components to meet their specific needs.

With the principle of "Quality Parts,Customers Priority,Honest Operation,and Considerate Service",our business mainly focus on the distribution of electronic components. Line cards we deal with include Microchip,ALPS,ROHM,Xilinx,Pulse,ON,Everlight and Freescale. Main products comprise IC,Modules,Potentiometer,IC Socket,Relay,Connector.Our parts cover such applications as commercial,industrial, and automotives areas.

We are looking forward to setting up business relationship with you and hope to provide you with the best service and solution. Let us make a better world for our industry!



Contact us

Tel: +86-755-8981 8866 Fax: +86-755-8427 6832

Email & Skype: info@chipsmall.com Web: www.chipsmall.com

Address: A1208, Overseas Decoration Building, #122 Zhenhua RD., Futian, Shenzhen, China



SC-SLIMCON6

Isolating Signal Converter



- **Wide Range of Inputs Available**
- **Full 3-Port Isolation**
- **Zero & Span Pots for Output**
- **Fast Time Response**
- **High Accuracy, Low Cost**
- **Only 6.8 mm Wide**

Inputs

Standard ranges are shown below :-

SC-SLIMCON6 for DC Current & Voltage

0-20mA, 4-20mA, 0-10mA into 5 Ω /11 Ω

0-10V, 1-5V, 0-5V, 2-10V into 500k Ω

Bipolar Voltage Input version available, please call.

Outputs

DC Current and Voltage

Current source or sink

0-20mA, 4-20mA into 500 Ω

0-10V, 0-5V, 1-5V into a minimum 100k Ω

Technical Specifications

Parameter	Min	Typ	Max	Comments
Supply Voltage	18V	24V	30V	22Vdc required to drive 500 Ω
Supply Current (mA)		25	30	Based on 24Vdc supply into 500 Ω
Volt Drop (mA input)		0.1	0.15	At 20mA Input
Input Impedance (Volt)		500k Ω		
Input Impedance (mA)		5 Ω	10 Ω	Dep't on range (typ=20mA, max 0-10mA)
Output Linearity Error		± 0.03	$\pm 0.1\%$	
Temp Coefficient			$\pm 100\text{ppm}/^\circ\text{C}$	
Load Resistance Error			$\pm 5\text{ppm}/\Omega$	0 < RL < 500 Ω
Time Constant (10-90%)		25mS	30mS	Faster response available on request
Operating Ambient	0 $^\circ\text{C}$		55 $^\circ\text{C}$	
Relative Humidity	0%		90%	
Isolation Voltage ^{see note}	1kV			
Surge Voltage	2.5kV for 50 μS		Transient of 10kV/ μS	

Notes

Absolute maximum ratings indicate sustained limits beyond which damage to the device may occur.

Device is protected against reverse polarity connection. External 100mA fuse required.

Accuracy figures based on 24Vdc supply, 4-20mA output with 250 Ω load and an ambient 20 $^\circ\text{C}$.

The SC-SLIMCON6 Isolating Signal Converter can accept a range of inputs including 4-20mA and voltage signals. The unit produces a high level DC output of either voltage or current.

Full 3 port isolation is standard on the product range.

The SC-SLIMCON6 can be configured to accept a current or voltage input and provides a current or voltage output.

The input and output of the unit can also be reconfigured using the built in switches together with the zero and span adjustment potentiometers.

The unit is powered from 24Vdc nominal.

Installation Data

Mounting	DIN Rail TS35
Orientation	Any
Connections	Screw Clamp with pressure plate
Conductor Size	0.5-4.0mm
Insulation Stripping	12mm
Weight	Approx 60g

Ordering Information

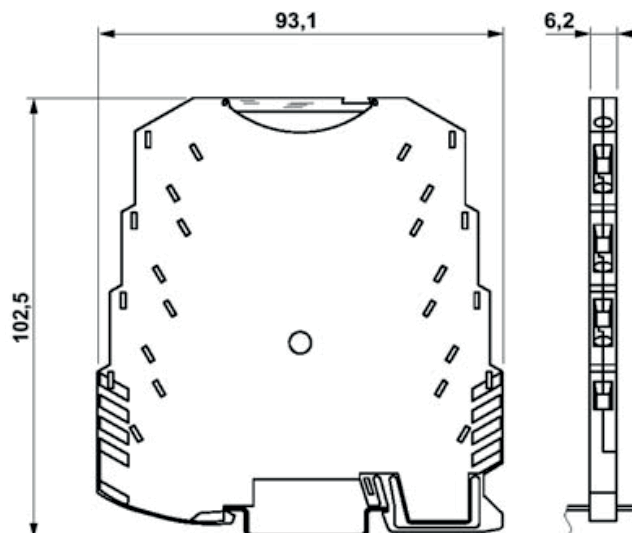
Part No.: SC-SLIMCON6

Cynergy3 Components Ltd.
7 Cobham Road
Ferndown Industrial Estate
Wimborne, Dorset BH21 7PE
Telephone +44 (0) 1202 897969
Email:sales@cynergy3.com

ISO9001 CERTIFIED

SC-SLIMCON6 2017

© 2017 Cynergy3 Components, All Rights Reserved. Specifications are subject to change without prior notice. Cynergy3 Components and the Cynergy3 Components logo are trademarks of Cynergy3 Components Limited.



Connection Details

1. Power supply -ve
2. Power supply +ve
4. Process Input -ve
5. Process Input +ve
10. Output -ve
12. Output +ve



Made in the UK

www.cynergy3.com