



Chipsmall Limited consists of a professional team with an average of over 10 year of expertise in the distribution of electronic components. Based in Hongkong, we have already established firm and mutual-benefit business relationships with customers from,Europe,America and south Asia,supplying obsolete and hard-to-find components to meet their specific needs.

With the principle of “Quality Parts,Customers Priority,Honest Operation,and Considerate Service”,our business mainly focus on the distribution of electronic components. Line cards we deal with include Microchip,ALPS,ROHM,Xilinx,Pulse,ON,Everlight and Freescale. Main products comprise IC,Modules,Potentiometer,IC Socket,Relay,Connector.Our parts cover such applications as commercial,industrial, and automotives areas.

We are looking forward to setting up business relationship with you and hope to provide you with the best service and solution. Let us make a better world for our industry!



Contact us

Tel: +86-755-8981 8866 Fax: +86-755-8427 6832

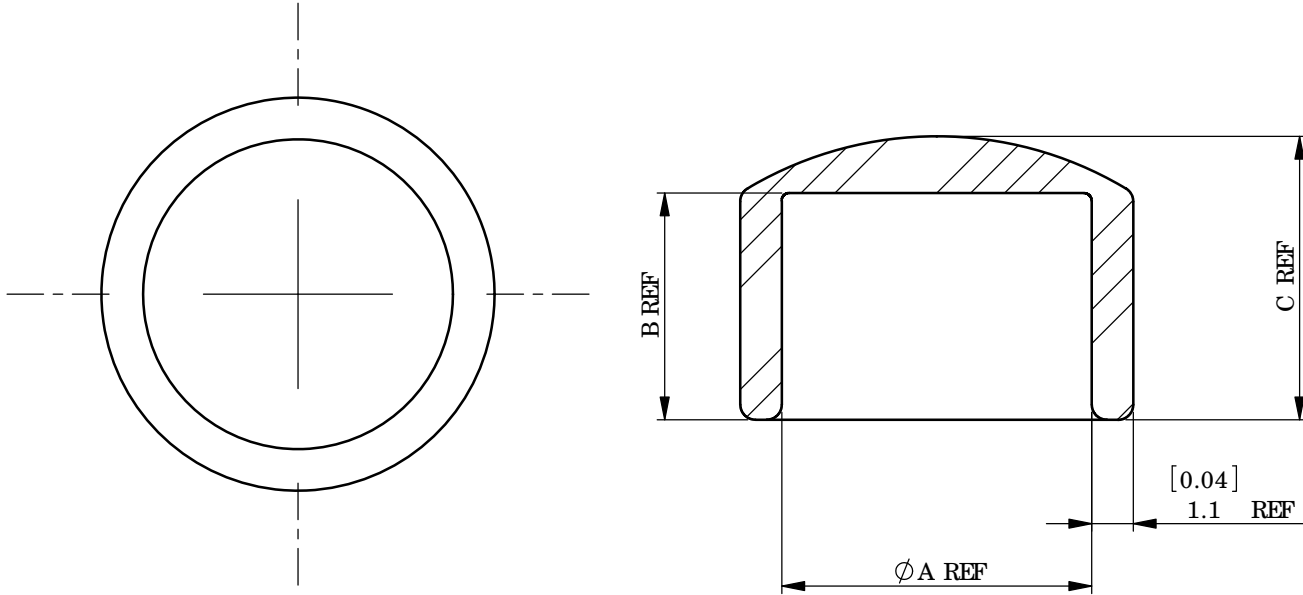
Email & Skype: info@chipsmall.com Web: www.chipsmall.com

Address: A1208, Overseas Decoration Building, #122 Zhenhua RD., Futian, Shenzhen, China



A B C D E F

REV.	MODIFICATION.	DATE	DRN
01	Production Release	11/07/08	PH
02	CO2010657	20/05/09	SF
03	CO2011146	18/05/11	SF
04	CO2011187	17/08/11	SF



ALTERNATE UNITS FOR REFERENCE ONLY

INFORMATION CONTAINED IN THIS DOCUMENT IS CONFIDENTIAL TO RICHCO INTERNATIONAL Co. Ltd. AND MAY NOT BE DISCLOSED OR REPRODUCED IN WHOLE OR PART WITHOUT THEIR WRITTEN CONSENT.

RICHCO, INC. WWW.RICHCO-INC.COM	ALL DIMENSIONS IN mm GENERAL TOLERANCES ±0.25 UNLESS OTHERWISE STATED 1 DECIMAL PLACE ±0.25 2 DECIMAL PLACES ±0.10 ANGULAR ±1°	THIRD ANGLE

PART	COLOUR	RECOMMENDED		DIA 'A'	LENGTH 'B'	LENGTH 'C'
		METRIC SCREW SIZE	IMPERIAL SCREW SIZE			
SC1 - M4	BLACK	M4	# 8	6.7 [0.264]	5 [0.197]	6.5 [0.256]
SC1 - M5		M5	1/4"	8.2 [0.323]	6 [0.236]	7.5 [0.295]
SC1 - M6		M6	5/16"	9.7 [0.382]	7 [0.276]	8.5 [0.335]
OTHER COLOURS AVAILABLE BY SPECIAL ORDER						

MATERIAL: Silicone Rubber Shore A 55 ± 5 (RMS-368)		COLOUR: SEE TABLE	
DESCRIPTION: Hexagon Socket Button Head Screw Cover			PART No: SEE TABLE
DRG No: 08-062		NPR No: I08-0003	
DRN PH		DATE 20/12/07	
CHKD JC		DATE 15/05/08	
SCALE NTS		SHEET No. 1 OF 1	

A B C D E F FORM No. 0145/02