



Chipsmall Limited consists of a professional team with an average of over 10 year of expertise in the distribution of electronic components. Based in Hongkong, we have already established firm and mutual-benefit business relationships with customers from,Europe,America and south Asia,supplying obsolete and hard-to-find components to meet their specific needs.

With the principle of “Quality Parts,Customers Priority,Honest Operation,and Considerate Service”,our business mainly focus on the distribution of electronic components. Line cards we deal with include Microchip,ALPS,ROHM,Xilinx,Pulse,ON,Everlight and Freescale. Main products comprise IC,Modules,Potentiometer,IC Socket,Relay,Connector.Our parts cover such applications as commercial,industrial, and automotives areas.

We are looking forward to setting up business relationship with you and hope to provide you with the best service and solution. Let us make a better world for our industry!



Contact us

Tel: +86-755-8981 8866 Fax: +86-755-8427 6832

Email & Skype: info@chipsmall.com Web: www.chipsmall.com

Address: A1208, Overseas Decoration Building, #122 Zhenhua RD., Futian, Shenzhen, China





Mallory Sonalert Products, Inc.

Part #:

SC110HPR

Sales Outline Drawing

Revision:

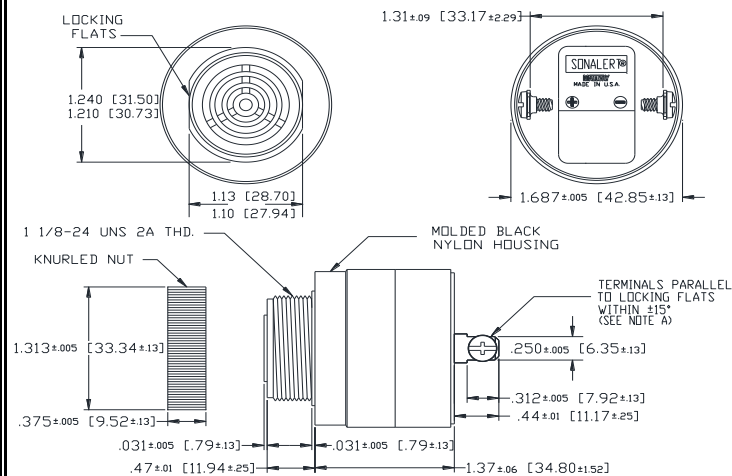
F

Specifications:

| | |
|-----------------------|--|
| Sound Level Category | Medium |
| Mode of Operation | Fast Pulse @ 2 - 10 PPS |
| Voltage Rating | 30 to 120 VAC/DC |
| Frequency | 4500 ± 500 Hz |
| Loudness @ 2 FT | 78 to 87 dB(A) Typ. |
| Loudness @ Min V | 68 dB(A) @ 2 Feet and 30 Vac/dc |
| Loudness @ Max V | 80 dB(A) @ 2 Feet and 120 Vac/dc |
| Current Draw | 6-20mA |
| Duty Cycle (%) | 50 |
| Housing Material | 6/6 Nylon, Color: Black |
| Storage Temperature | -40° to +85° C |
| Operating Temperature | -30° to +65° C |
| Panel Mounting | Recommended hole size is 1.25"(31.75mm). Thread front will fit standard 30mm(1.181") hole. |
| Knurled Nut | Used to attach part to panel. The max recommended torque is 10 in-lbs. |
| Weight (Typical) | 1.6 oz (45g) |
| NEMA 3R,4X, & 12 | Approved with use of ACC03. |
| Options | Please contact factory. |

Dimensions: Inches (mm)

PART DIMENSIONS BEFORE CODE DATE: 1452 5

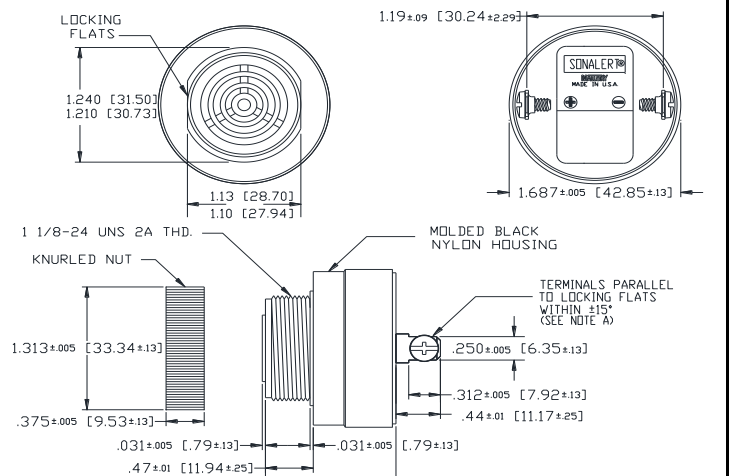


NOTE A: TERMINALS-.032 BRASS TIN PLATED, TAPPED FOR #6-32 SCREW. TWO #6-32 NICKEL PLATED BRASS SCREWS INCLUDED. WILL ACCEPT 1/4" QUICK CONNECT.

NOTE B: MOUNTING- REMOVE BLACK PLASTIC NUT AND INSERT THREADED FRONT THROUGH 1.25" HOLE PUNCHED IN PANEL. IF ORIENTATION IS NEEDED, NOTE LOCKING FLATS ON DRAWING. SCREW NUT BACK ON. DO NOT OVERTIGHTEN.

ROHS Compliant

PART DIMENSIONS AFTER CODE DATE: 1501 1



NOTE A: TERMINALS-.032 BRASS TIN PLATED, TAPPED FOR #6-32 SCREW. TWO #6-32 NICKEL PLATED BRASS SCREWS INCLUDED. WILL ACCEPT 1/4" QUICK CONNECT.

NOTE B: MOUNTING- REMOVE BLACK PLASTIC NUT AND INSERT THREADED FRONT THROUGH 1.25" HOLE PUNCHED IN PANEL. IF ORIENTATION IS NEEDED, NOTE LOCKING FLATS ON DRAWING. SCREW NUT BACK ON. DO NOT OVERTIGHTEN.