



Chipsmall Limited consists of a professional team with an average of over 10 year of expertise in the distribution of electronic components. Based in Hongkong, we have already established firm and mutual-benefit business relationships with customers from,Europe,America and south Asia,supplying obsolete and hard-to-find components to meet their specific needs.

With the principle of “Quality Parts,Customers Priority,Honest Operation,and Considerate Service”,our business mainly focus on the distribution of electronic components. Line cards we deal with include Microchip,ALPS,ROHM,Xilinx,Pulse,ON,Everlight and Freescale. Main products comprise IC,Modules,Potentiometer,IC Socket,Relay,Connector.Our parts cover such applications as commercial,industrial, and automotives areas.

We are looking forward to setting up business relationship with you and hope to provide you with the best service and solution. Let us make a better world for our industry!



Contact us

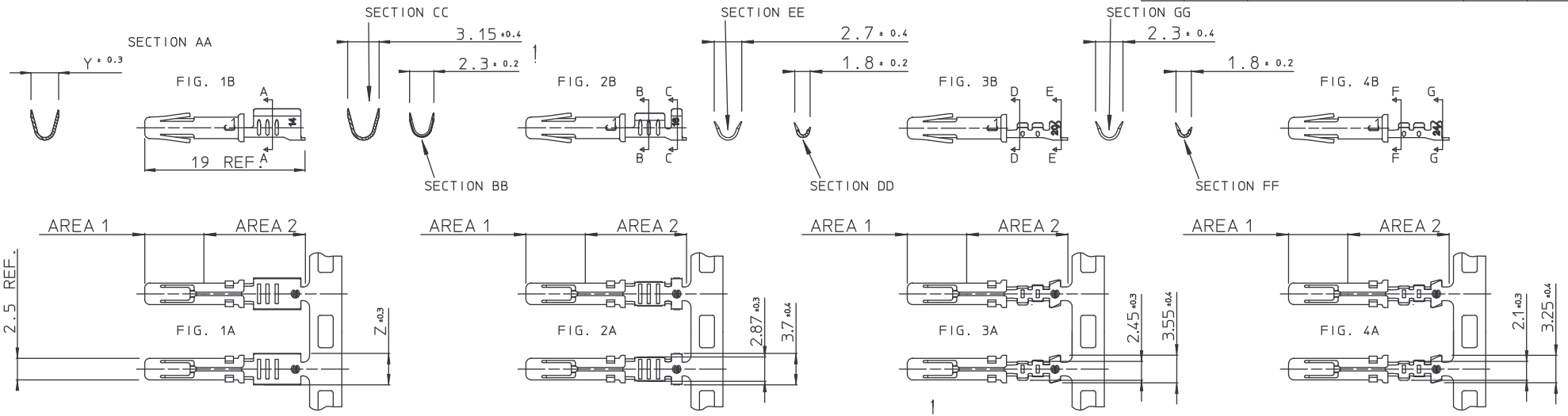
Tel: +86-755-8981 8866 Fax: +86-755-8427 6832

Email & Skype: info@chipsmall.com Web: www.chipsmall.com

Address: A1208, Overseas Decoration Building, #122 Zhenhua RD., Futian, Shenzhen, China



GEN. ST.	01	02	03	04	05	06	07	08	0D	50	60	70	80	90	REV.	DATE	DESCRIPTION	BY	C'K'D'																			
INT. ST.	10	11	12	13	14	18	20	31	32	33	34	38	39	40	42	43	44	45	46	48	56	70	72	73	75	76	81	82	83	84	88	04	08/03/00	TABLE UPDATED WITH CATALOG	K.N			
																																	05	06/24/03	ADD 'S30' PLATING	R.Ch		
																																		06	09/01/03	MODIFICATION DESCRIPTION 'S30' PLATING	R.Ch	
																																		07	22/01/04	MODIFICATION DESCRIPTION 'D70' PLATING	R.Ch	



FEMALE CONTACT CAT. N°.	FIG.	Z	Y	WIRE SIZE		WIRE INSUL. DIAM. IN MM.	WIRE STRIP LENGTH IN MM.	HAND CRIMP M8ND/Y8ND DIE SET	TOOLING HANDTOOL FOR LOOSE PIECE	AUTOMATIC CRIMP TOOLING		
				AWG	MM²					LEFT SIDE APPLICATOR (NOT INCLUDED)	STRIPPER UNIT	EXTRACTION TOOL
SC24M1* SC24ML1*	4A 4B			26/24	0.13/0.25	0.89/1.58	4.0	N24RT11	Y16SCM2	MLS0318B		
SC20M1* SC20ML1*	3A 3B			22/20	0.35/0.50	1.17/2.08	4.0	N20RT29		MLS0555A		
SC16M11* SC16ML11*	2A 2B			18/16	0.80/1.50	3.0	4.65	N16RT26		MLS0356A	SC10S1	RX2025GE1
SC16M1* SC16ML1*	1A 1B	2.87	2.3	18/16	0.80/1.50	2.0/3.0	6.35	N16RT24	Y14SCM	MLS1579		RX2025GE2
SC14M1* SC14ML1*	1A 1B	3.3	3.3	14	2.0	3.0	6.35	N14RT13		MLS1047		

CONSTRUCTION

CONTACT BODY : HIGH CONDUCTIVITY COPPER ALLOY.
 OUTER SPRING : STAINLESS STEEL.
 * PLATING : S6 = 0.75 μ GOLD MIN. OVER 2 μ Ni (AREA 1)
 : GOLD FLASH OVER 2 μ Ni (AREA 2)
 : D70 = GOLD FLASH OVER 2 μ Ni (AREA 1)
 : TK6 = 2-5 μ Sn PRE-PLATED (AREA 1 + AREA 2)

PACKING CONTACTS ON STRIP : 3000 PCS. PER REEL, E.G. SC16M11*
 PACKING LOOSE PIECE CONTACTS : 100 PCS PER STD. PACKING, E.G. SC16ML11*
 CONNECTOR ACCOMMODATION

THESE CONTACTS CAN BE USED IN ANY CONTACT POSITION IN ANY CONNECTOR IN THE TRIM TRIO INTERCONNECTION SYSTEM : MSM RECTANGULAR CONN., SMS QIKMATE CONN., UT BANTAM CONN. AND METALOK BANTAM CONN..

PERFORMANCE CHARACTERISTICS

CURRENT RATING : 13 A
 CONTACT RESISTANCE : ≤ 6 m Ohm
 OPERATING VOLTAGE : 750 V RMS
 CONTACT RETENTION IN BODY : 65 N MIN.
 INDIVIDUAL INSERTION FORCE : 3.5 N MAX.
 INDIVIDUAL WITHDRAWAL FORCE : 0.55 N MIN.

RELEASED FOR PRODUCTION

1DEC ±0.2 1DEC 2DEC ±0.1 2DEC ANGLES ±1° HOEKEN	APPR.	DATE	SIGN.	FEMALE FORMED TWO PIECE CONTACT
WE RESERVE THE RIGHT TO CHANGE DIMENSIONS OR REQUIREMENTS WITHOUT PRIOR NOTICE.	DRAFT	11-06-86	R.Verbeek	CAT. No. SC--M---
ALL DIMENSIONS IN MM	CHECKED			SOURIAU Route Nationale 23 72470 CHAMPAGNE
ALLE AFMETINGEN IN MM	PR.ENG.MGR.			
	PR.MGT.MGR.			BS, C , 200178, 002, 07
	REFERENCES / REFERENTIES			DRAWING No. CUSTOMER DRAWING

THIS IS OUR EXCLUSIVE PROPERTY. IT IS NOT TO BE COPIED, REPRINTED OR DISCLOSED TO A THIRD PARTY, NOR USED FOR MANUFACTURING WITHOUT OUR WRITTEN CONSENT, AND HAS TO BE RETURNED TO US IN CASE OF NO USAGE

DIT IS ONZE EIGENDOM EN MAG NOCH NAGEMAAKT, HERDRUKT, OVERGEMAAKT AAN DERDEN, NOCH VOOR FABRIKATIE GEBRUIKT WORDEN, ZONDER ONZE SCHRIFTELIJKE TOELATING, BIJ NIET GEBRUIK IS TERUGZENDING VERPLICHT.