



Chipsmall Limited consists of a professional team with an average of over 10 year of expertise in the distribution of electronic components. Based in Hongkong, we have already established firm and mutual-benefit business relationships with customers from,Europe,America and south Asia,supplying obsolete and hard-to-find components to meet their specific needs.

With the principle of “Quality Parts,Customers Priority,Honest Operation,and Considerate Service”,our business mainly focus on the distribution of electronic components. Line cards we deal with include Microchip,ALPS,ROHM,Xilinx,Pulse,ON,Everlight and Freescale. Main products comprise IC,Modules,Potentiometer,IC Socket,Relay,Connector.Our parts cover such applications as commercial,industrial, and automotives areas.

We are looking forward to setting up business relationship with you and hope to provide you with the best service and solution. Let us make a better world for our industry!



Contact us

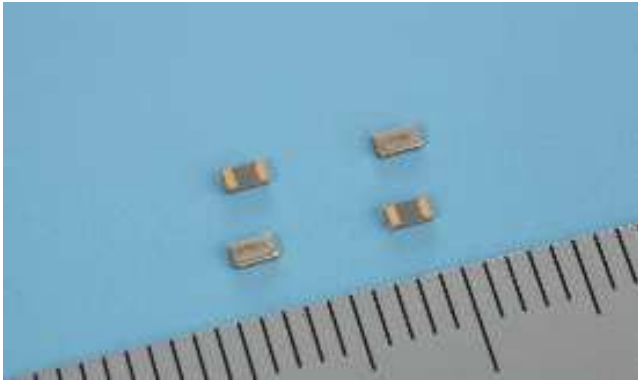
Tel: +86-755-8981 8866 Fax: +86-755-8427 6832

Email & Skype: info@chipsmall.com Web: www.chipsmall.com

Address: A1208, Overseas Decoration Building, #122 Zhenhua RD., Futian, Shenzhen, China



SC-20S



Features

- Thin type (0.6mm)
- Suitable for high density surface mounting
- Excellent shock and heat resistance
- Complete Pb-free
- Complies with EU RoHS directive
- A crystal resonator processed by high reliable photolithographic technology inside

Applications

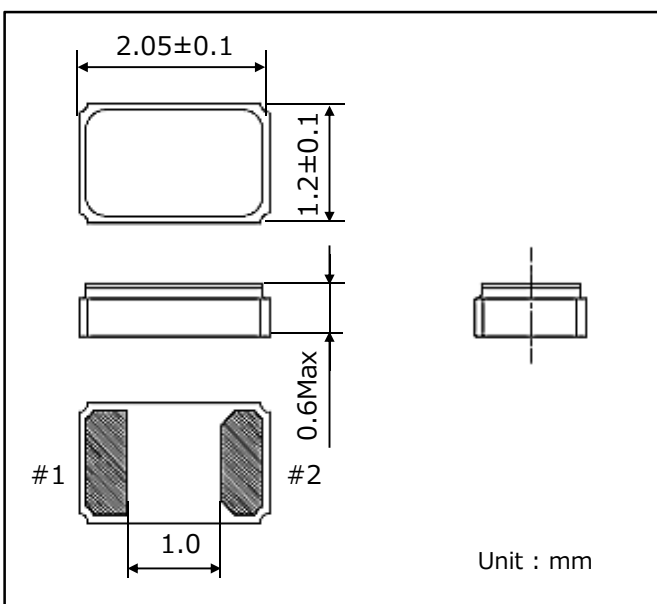
Mobile Phone, Wearable, Module, Sub-clock function for a variety of Micro-computer etc.

(Temperature: 25±2°C, DL;0.1μW)

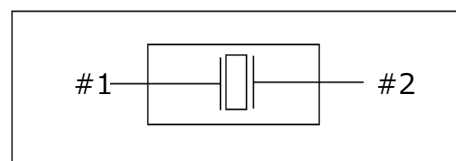
Standard Specifications

| Item | Symbol | Specifications | Conditions Note |
|---------------------------|--------|--|---------------------|
| Nominal Frequency | f_nom | 32.768kHz | |
| Frequency Tolerance | f_tol | ±20×10 ⁻⁶ | Please specify |
| Turnover Temperature | Ti | +25±5°C | |
| Parabolic Coefficient | B | (-0.030±10%)×10 ⁻⁶ /°C ² | |
| Load Capacitance | CL | 6pF~12.5pF | |
| Motional Resistance (ESR) | R1 | 70kΩ max. | |
| Absolute Max. Drive Level | DLmax. | 1.0μW max. | |
| Drive Level | DL | 0.1μW typ. | |
| Shunt Capacitance | C0 | 1.3pF typ. | |
| Frequency Ageing | f_age | ±3×10 ⁻⁶ | +25±3°C, First Year |
| Operating Temperature | T_use | -40~+85°C | |
| Storage Temperature | T_stg | -55~+125°C | Piece part basis |

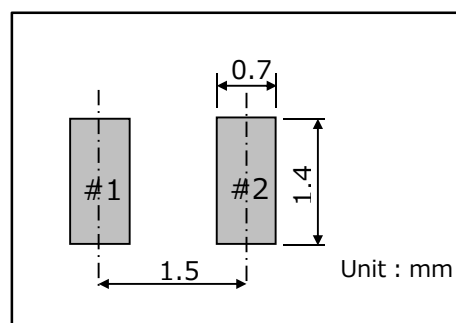
Dimensions



Internal Lead Connections



Recommended Soldering Pattern



Remark: Please make sure that there is no pattern under SC-20S on the circuit board.

Seiko Instruments Inc.

Quartz Crystal Sales Department
 1-8, Nakase, Mihamaku, Chiba-shi, Chiba 261-8507, Japan
 Tel : +81-43-211-1207 Fax : +81-43-211-8030
[http : //www.sii.co.jp/en/quartz/](http://www.sii.co.jp/en/quartz/)