



Chipsmall Limited consists of a professional team with an average of over 10 year of expertise in the distribution of electronic components. Based in Hongkong, we have already established firm and mutual-benefit business relationships with customers from,Europe,America and south Asia,supplying obsolete and hard-to-find components to meet their specific needs.

With the principle of “Quality Parts,Customers Priority,Honest Operation,and Considerate Service”,our business mainly focus on the distribution of electronic components. Line cards we deal with include Microchip,ALPS,ROHM,Xilinx,Pulse,ON,Everlight and Freescale. Main products comprise IC,Modules,Potentiometer,IC Socket,Relay,Connector.Our parts cover such applications as commercial,industrial, and automotives areas.

We are looking forward to setting up business relationship with you and hope to provide you with the best service and solution. Let us make a better world for our industry!



## Contact us

Tel: +86-755-8981 8866 Fax: +86-755-8427 6832

Email & Skype: info@chipsmall.com Web: www.chipsmall.com

Address: A1208, Overseas Decoration Building, #122 Zhenhua RD., Futian, Shenzhen, China



### POWER MANAGEMENT

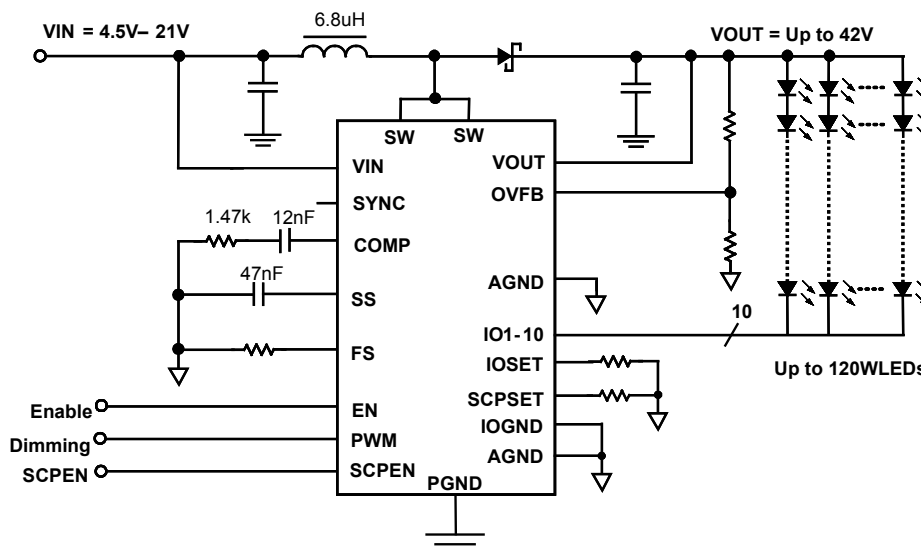
#### Features

- Wide input voltage range from 4.5V to 21V
- 42V maximum operating output voltage
- Programmable LED current up to 30mA per string
- +/- 1% current matching
- Integrated 3A switch
- Low current sink voltage
- Up to 91% efficiency
- Flexible LED configurations
  - Mismatched LED channels
  - Disable individual channel(s)
  - Parallel channels for high LED current
- PWM dimming capability
  - Up to 50kHz dimming frequency
  - >500:1 dimming range
- Switching frequency: 500kHz - 1MHz
- Parallel device operation with Sync Pin
- Protection features:
  - Adjustable OVP
  - Cycle-by-cycle current limit
  - LED short channel with disable /Open channel
  - Over-Temperature protection
- MLPQ-28 lead-free package (WEEE and RoHS compliant), 4x4mm x 0.6mm

#### Applications

- Automotive LCD Backlighting
- Desktop monitors
- Notebook PCs
- Portable TVs

#### Typical Application Circuit



#### Description

The SC442 is a 10-channel, high efficiency integrated step-up (boost) driver IC capable of powering up to 120 WLEDs. The device has a wide input voltage of 4.5V to 21V with no internal regulator or bypass capacitor required. The wide input range, up to 42V output voltage and flexible implementation make it the ideal LED backlight driver solution for medium to large LCD displays. The current sink channels are programmed with an external resistor up to 30mA each.

Channel-channel current matching is +/-1% . The device disables open or shorted LEDs by disabling only the affected LED channel; thus increasing LCD panel life. Channel-channel LED mismatch voltage is accommodated by adjusting the SCPSET resistor. The current sink channels may be operated in parallel for increased LED current. Unused channels are disabled by connecting the pin to the input voltage.

Losses in the switching device and current sinks are minimized across the operating range; yielding >90% efficiency and excellent battery life for portable systems.

The device accepts PWM dimming up to 50kHz. Maximum dimming range is greater than 500:1 with excellent linearity for optimum PWM dimming characteristics. The high frequency dimming capability (>20kHz) eliminates audio emissions and allows small ceramic output capacitors.

Switching frequency is programmable from 200kHz to 1MHz; allowing efficiency versus L/C sizing tradeoffs across the input/output voltage range. Alternatively, the SYNC pin allows the designer to synchronize the switching frequency to an external system clock and, if necessary, a parallel SC442 device - eliminating potential system intermodulation and interference problems.

Over-temperature shutdown protects the IC from over-heating under abnormal conditions. The device is available in a small 4mmx4mm MLPQ-28 pin package with 0.6mm maximum height and is fully WEEE and RoHS compliant.