



Chipsmall Limited consists of a professional team with an average of over 10 year of expertise in the distribution of electronic components. Based in Hongkong, we have already established firm and mutual-benefit business relationships with customers from,Europe,America and south Asia,supplying obsolete and hard-to-find components to meet their specific needs.

With the principle of “Quality Parts,Customers Priority,Honest Operation,and Considerate Service”,our business mainly focus on the distribution of electronic components. Line cards we deal with include Microchip,ALPS,ROHM,Xilinx,Pulse,ON,Everlight and Freescale. Main products comprise IC,Modules,Potentiometer,IC Socket,Relay,Connector.Our parts cover such applications as commercial,industrial, and automotives areas.

We are looking forward to setting up business relationship with you and hope to provide you with the best service and solution. Let us make a better world for our industry!



## Contact us

Tel: +86-755-8981 8866 Fax: +86-755-8427 6832

Email & Skype: info@chipsmall.com Web: www.chipsmall.com

Address: A1208, Overseas Decoration Building, #122 Zhenhua RD., Futian, Shenzhen, China



### POWER MANAGEMENT

#### Description

The SC4808C is a dual-ended, high frequency, integrated PWM controller, optimized for isolated applications that require minimum space. It can be configured for current or voltage mode operation with required control circuitry where secondary side error amplifier is used.

Some of the key features are high frequency operation of 1 MHz that allows the use of smaller components thus saving cost and valuable board space. An internal ramp on the Current Sense pin allows Internal Slope Compensation programmed by an external resistor. Other features include programmable frequency up to 1MHz, Pulse by Pulse current and Line Monitoring Input with Hysteresis to reduce stress on the power components.

A unique oscillator is used to synchronize two SC4808C's to work out of phase. This minimizes the input and output ripple thus reducing noise on the output line and reducing stress and size of input/output filter components. The dual outputs can be configured in Push-Pull, Half Bridge and Full Bridge format with programmable dead time between two outputs depending on the size of the timing components.

The SC4808C also features a turn on threshold of 8V and is available in MSOP-10 package.

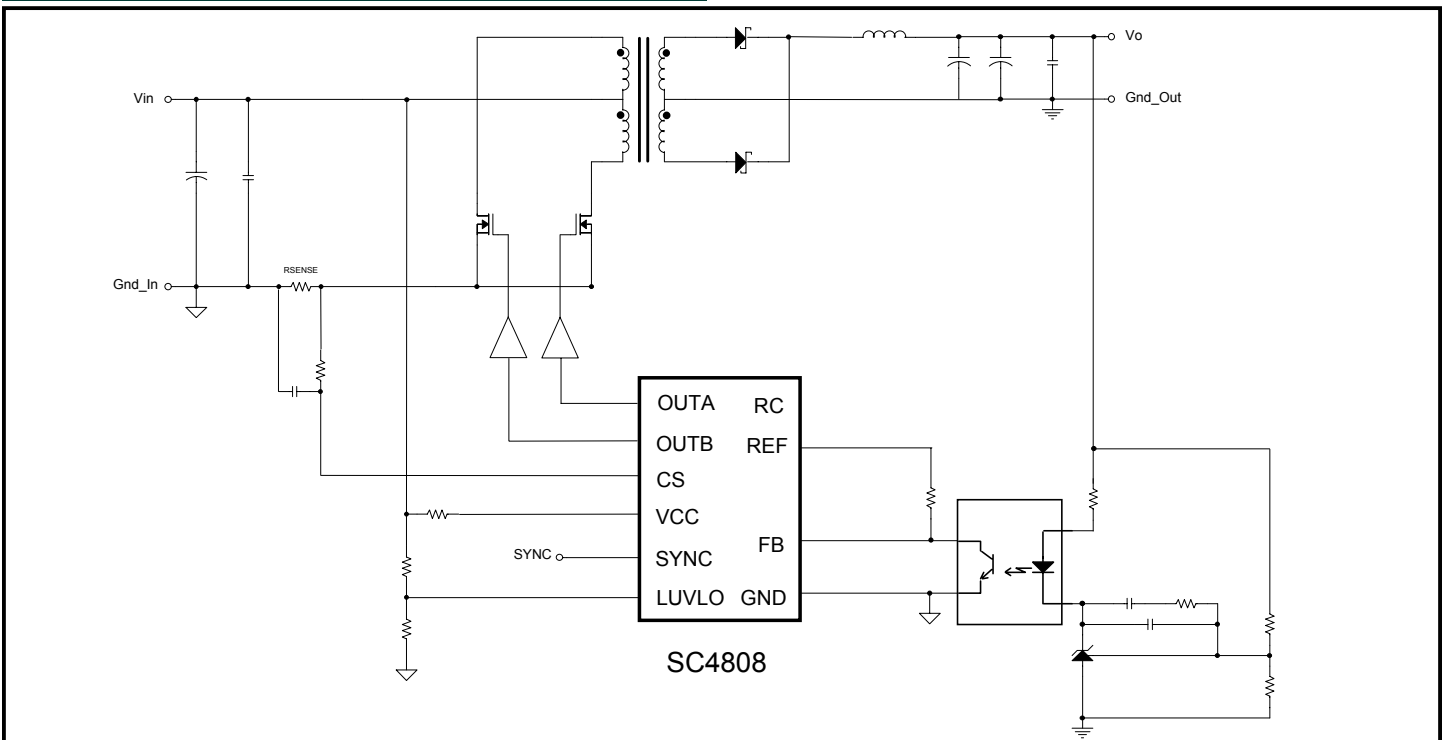
#### Features

- ◆ 120µA starting current
- ◆ Pulse by pulse current limit
- ◆ Programmable operation up to 1MHz
- ◆ Internal soft start
- ◆ Programmable line undervoltage lockout
- ◆ Over current shutdown
- ◆ Dual output drive stages on push-pull configuration
- ◆ Programmable internal slope compensation
- ◆ Programmable mode of operation (peak current mode or voltage mode)
- ◆ External frequency synchronization
- ◆ Bi-phase mode of operation
- ◆ -40 to 105 °C operating temperature
- ◆ MSOP-10 lead free package. This product is fully WEEE and RoHS compliant

#### Applications

- ◆ Telecom equipment and power supplies
- ◆ Networking power supplies
- ◆ Industrial power supplies
- ◆ Push-pull converter
- ◆ Half bridge converter
- ◆ Full bridge converter
- ◆ Isolated VRM's

#### Typical Application Circuit



**POWER MANAGEMENT**
**Absolute Maximum Ratings**

Exceeding the specifications below may result in permanent damage to the device, or device malfunction. Operation outside of the parameters specified in the Electrical Characteristics section is not implied.

Parameter	Symbol	Maximum	Units
Supply Voltage	$V_{CC}$	-0.5 to 18	V
Supply Current	$I_{CC}$	20	mA
SYNC, RC, CS, LUVLO, REF to GND		-0.5 to 7	V
FB to GND	$V_{FB}$	-0.5 to ( $V_{REF} + 0.5$ )	V
REF Current	$I_{REF}$	10	mA
OUTA/OUTB to GND	$V_{OUTA/B}$	-0.5 to 18	V
OUTA/OUTB Source Current (peak)	$I_{source}$	-250	mA
OUTA/OUTB Sink Current (peak)	$I_{sink}$	250	mA
Thermal Resistance	$\theta_{JA}$	136*	°C/W
Junction Temperature	$T_J$	-40 to 150	°C
Storage Temperature Range	$T_{STG}$	-65 to 150	°C
Lead Temperature (Soldering) 10 Sec.	$T_{LEAD}$	+300	°C
ESD Rating (Human Body Model)	$V_{ESD}$	2	kV

\*Calculated from package in still air, mounted to 3" x 4.5", 4 layer FR4 PCB with thermal vias under the exposed pad as per JESD51 standards.

**Electrical Characteristics**

Unless specified: VCC = 12V; CL = 100pF;  $T_A$  = -40°C to 105°C

Parameter	Test Conditions	Min	Typ	Max	Unit
<b>PWM</b>					
Maximum Duty Cycle	Fosc = 50kHz, FB = 3.5V, Measured at OUTA or OUTB	48	49	50	%
Minimum Duty Cycle	Fosc = 50kHz, FB = 1.5V, Measured at OUTA or OUTB			0	%
<b>Current Sense</b>					
Gain			3		
Maximum Input Signal		475	525	575	mV
CS to Output Delay			100		ns
Over Current Threshold		600	700	800	mV
Internal Slope Compensation Resistor			25		k $\Omega$
FB to CS Offset		1.30	1.50	1.70	V
<b>Output</b>					
OUT Low Level		0	.50	.70	V
OUT High Level		11.0	11.25	12.00	V
Rise Time			25		ns
Fall Time			25		ns

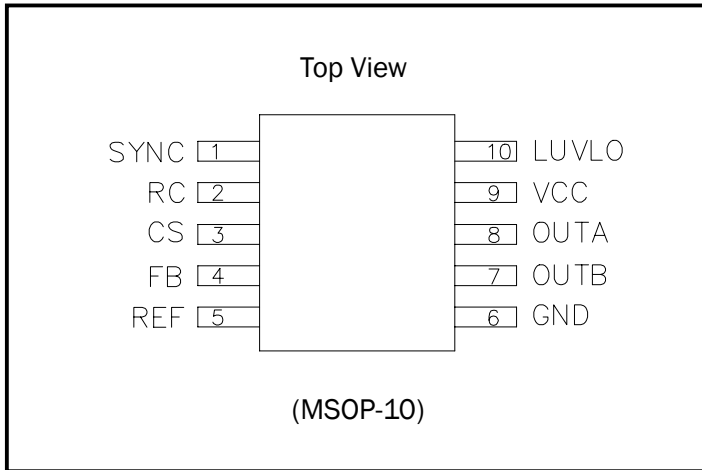
**POWER MANAGEMENT**
**Electrical Characteristics (Cont.)**

 Unless specified: VCC = 12V; CL = 100pF; T<sub>A</sub> = -40°C to 105°C

Parameter	Test Conditions	Min	Typ	Max	Unit
<b>VCC Under Voltage Lockout</b>					
Turn-on		7.5	8	8.5	V
Turn-off		6.5	7	7.5	V
<b>Line Under Voltage Lockout</b>					
Start Threshold	R <sub>TOP</sub> = 14kΩ, R <sub>BOT</sub> = 10kΩ	-3%	VREF	+3%	V
Hysteresis	R <sub>TOP</sub> = 14kΩ, R <sub>BOT</sub> = 10kΩ		5.6% of VREF		mV
<b>Soft Start</b>					
Internal Soft Start Ramp			200		μs/V
Soft Start Duration	R <sub>cs</sub> = 1kΩ (See formula in the Application Information Soft Start section)		12		μs
Soft Start Delay			140		μs
<b>Oscillator</b>					
Oscillator Frequency	R <sub>osc</sub> = 11kΩ, C <sub>osc</sub> = 200pF	450	500	550	KHz
Oscillator Ramp			VREF/2 +0.25		V
RC pin to GND capacitance			22		pF
Oscillator Frequency Range		50		1000	KHz
<b>Sync/CLOCK</b>					
Clock SYNC Threshold			1.0		V
Sync Frequency Range				F <sub>osc</sub> *1.3	KHz
<b>Bandgap</b>					
Reference Voltage		2.970	3.125	3.280	V
Reference Current			5		mA
<b>Overall</b>					
Startup Current	VCC < start threshold			150	μA
Operating Supply Current	FB = 0V, CS = 0V			7	mA
VCC Zener Shunt Voltage	IDD = 10mA	16			V

**POWER MANAGEMENT**

**Pin Configuration**



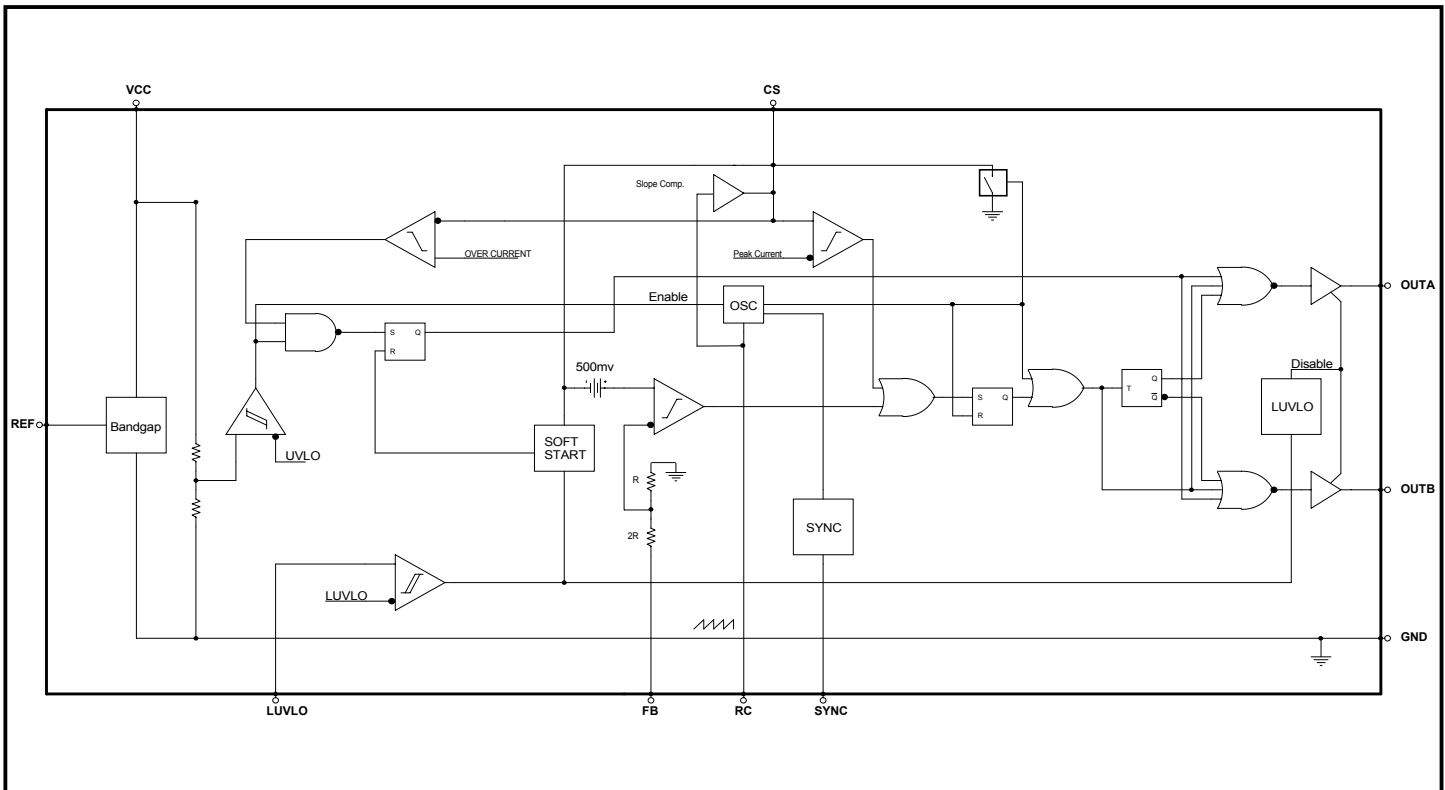
**Ordering Information**

Part Number	Package	Top Mark
SC4808CMSTRT <sup>(1)(2)</sup>	MSOP-10	AB0C

**Notes:**

- (1) Only available in tape and reel packaging. A reel contains 2500 devices.
- (2) Lead free product. This product is fully WEEE and RoHS compliant.

**Block Diagram**



**POWER MANAGEMENT**
**Pin Descriptions**

**FB:** The inverting input to the PWM comparator. Stray inductances and parasitic capacitance should be minimized by utilizing ground planes.

**REF:** Bandgap reference output It should be by passed with a 2.2uF low ESR capacitance, right at the IC pin.

**CS:** Current sense input and internal slope compensation are both provided via the CS pin. The current sense input from a sense resistor is used for the peak current and overcurrent comparators. An internal 1 to 3 feed back voltage divider provides a 3X amplification of the CS signal. This is used for comparison to the external error amplifier signal. If an external resistor is connected from CS to the current sense resistor, the internal current source will provide a programmable slope compensation. The value of the resistor will determine the level of compensation. At higher compensation levels, voltage mode of operation can be achieved.

**RC:** The oscillator programming pin. The oscillator should be referenced to a stable reference voltage for an accurate and stable frequency. Only two components are required to program the oscillator, a resistor (tied to Vref and RC), and a capacitor (tied to the RC and GND). The following formula can be used for a close approximation of the oscillator frequency.

$$F_{OSC} \cong \frac{1}{R_{OSC} C_{TOT} \times 0.8}$$

where:

$$C_{TOT} = C_{OSC} + C_{SC4808} + C_{Circuit}$$

$$C_{SC4808} \cong 22pF$$

Where the frequency is in Hertz, resistance in ohms, and capacitance in farads. The recommended range of timing resistors is between 10 kOhm and 200kOhm and range of timing capacitors is between 100pF and 1000pF. Timing resistors less than 10 kOhm should be avoided.

**LUVLO:** Line undervoltage lockout pin. An external resistive divider will program the undervoltage lockout level. The external divider should be referenced to the quiet analog ground. During the LUVLO, the driver outputs are disabled and the softstart is reset. This pin can also function as an Enable/Disable.

**SYNC:** SYNC is a positive edge triggered input with a threshold set to 1.0V. In a single controller operation, SYNC could be grounded or connected to an external synchronization clock within the SYNC frequency range. In the Bi-Phase operation mode SYNC pins could be connected to the Cosc (Timing Capacitors) of the other controller. This will force an out of phase operation.

**GND:** Device power and analog ground. Careful attention should be paid to the layout of the ground planes (see page 16.)

**OUTA and OUTB:** Out of phase gate drive stages. The driver's peak source and sink current drive capability of 100mA, enables the use of an external MOSFET driver or a NPN/PNP transistor buffer.

The oscillator RC network programs the oscillator frequency, which is twice the OUTA/OUTB frequency. To insure that the outputs do not overlap, a dead time can be generated between the two outputs by sizing the oscillator timing capacitor.

**VCC:** The supply input for the device. Once VCC has exceeded the UVLO limit, the internal reference, oscillator, drivers and logic are powered up. A low ESR capacitance, should be used for decoupling right at the IC pin to minimize noise problems.

**POWER MANAGEMENT****Application Information****THEORY OF OPERATION**

The SC4808C is a versatile double ended, high speed, low power, pulse width modulator that is optimized for applications requiring minimum space.

The device contains all of the control and drive circuitry required for isolated or non isolated power supplies where an external error amplifier is used. A fixed oscillator frequency (up to 1MHz) can be programmed by an external RC network.

The SC4808C is a peak current or voltage mode controller, depending on the amount of slope compensation, programmable with only one external resistor. The cycle by cycle peak current limit prevents core saturation when a transformer is used for isolation while the overcurrent circuitry initiates the softstart cycle.

The SC4808C dual output drive stages are arranged in a push-pull configuration. Both outputs switch at half the oscillator frequency using a toggle flip flop. The dead time between the two outputs is programmable depending on the values of the timing capacitor and resistors, thus limiting each output stage duty cycle to less than 50%.

The SC4808C also provides flexibility with programmable LUVLO thresholds, with built-in hysteresis.

**SUPPLY**

A single supply, VCC is used to provide the bias for the internal reference, oscillator, drivers, and logic circuitry of SC4808C. To ensure proper operation during start up, VCC slew rate of less than 10V/mS is recommended.

**PWM CONTROLLER**

SC4808C is a double ended PWM controller that can be used in voltage or current mode applications. The SC4808C provides a 7.5V VCC UVLO, and a 3.125V reference. The oscillator frequency is programmed by a resistor and a capacitor network connected to an external reference provided by the SC4808C. The two outputs, OUTA and OUTB, are 180 degrees out of phase and run at half of the oscillator frequency.

An external error amplifier will provide the error signal to the FB pin of the SC4808C.

The current sense input and internal slope compensation are both provided via the CS pin. The current sense input from a sense resistor is used for the peak current and overcurrent comparators. An internal 1 to 3 feedback voltage divider provides a 3X amplification of the CS signal. This is used for comparison to the external error amplifier signal. If an external resistor is connected from CS to the current sense resistor, the internal current source will provide a programmable slope compensation. The value of the resistor will determine the level of compensation. At higher compensation levels, voltage mode of operation can be achieved. The error amplifier signal at the FB pin will be used in conjunction with the CS signal to achieve regulation.

Two levels of undervoltage lockout are also available. The LUVLO (line under voltage lockout) pin via an external resistive divider will program the undervoltage lockout level. During the LUVLO, the driver outputs are disabled and the softstart is reset.

Once VCC has exceeded the UVLO (VCC under voltage lockout) limit, the internal reference, oscillator, drivers and logic are powered up.

SYNC is a positive edge triggered input with a threshold set to 1.0V.

By connecting an external control signal to the SYNC pin, the internal oscillator frequency will be synchronized to the positive edge of the external control signal. In a single controller operation, SYNC should be grounded or connected to an external synchronization clock within the SYNC frequency range .

In the Bi-phase operation mode a very unique oscillator is utilized to allow two SC4808C to be synchronized together and work out of phase. This feature is setup by simple connection of the SYNC input to the RC pin of the other part. The fastest oscillator automatically becomes the master, forcing the two PWMs to operate out of phase. This feature minimizes the input and output ripples, and reduces stress on the capacitors.

**POWER MANAGEMENT**
**Application Information (Cont.)**
**VCC UNDER VOLTAGE LOCK OUT**

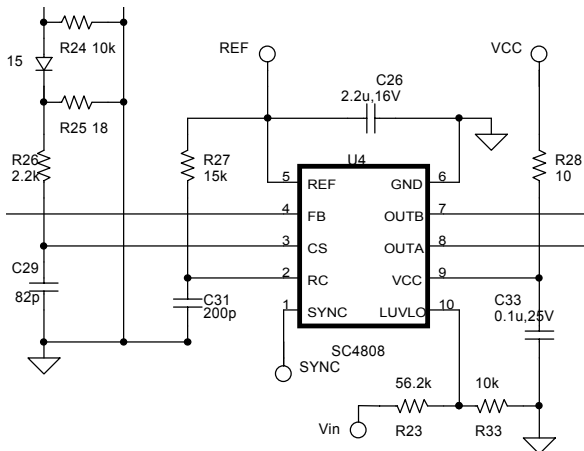
Depending on the application and the voltages available, the SC4808C can be used to provide the VCC undervoltage lock out function to ensure the converters controlled start up.

Before the VCC UVLO has been reached, the internal reference, oscillator, OUTA/OUTB drivers, and logic are disabled.

**LINE UNDER VOLTAGE LOCK OUT**

The SC4808C also provides a line undervoltage (LUVLO = Vref) function. The LUVLO pin is programmed via an external resistor divider connected as shown below. The actual start-up voltage can be calculated by using the equation below:

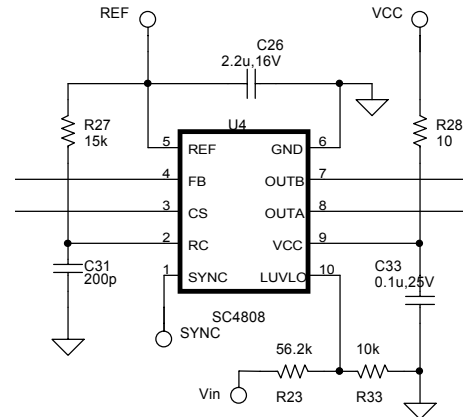
$$V_{\text{Startup}} = V_{\text{REF}} \times \frac{(R_{23} + R_{33})}{R_{33}}$$


**REFERENCE**

A 3.125V(SC4808C) reference voltage is available that can be used to source a typical current of 5mA to the external circuitry. The Vref can be used to provide the oscillator RC network with a regulated bias.

**OSCILLATOR**

The oscillator frequency is set by connecting a RC network as shown below.



The oscillator has a ramp voltage of about Vref/2. The oscillator frequency is twice the frequency of the OUTA and OUTB gate drive controls.

The oscillator capacitor C31 is charged by a current sourced from the Vref through R27. Once the RC pin reaches about Vref/2, the capacitor is discharged internally by the SC4808C. It should be noted that larger capacitor values will result in a longer dead time during the down slope of the ramp.

The following equation can be used as an approximation of the oscillator frequency and the Dead time:

$$F_{\text{OSC}} \cong \frac{1}{R_{\text{OSC}} C_{\text{TOT}} \times 0.8}$$

where:

$$C_{\text{TOT}} = C_{\text{OSC}} + C_{\text{SC4808}} + C_{\text{Circuit}}$$

$$C_{\text{SC4808}} \cong 22\text{pF}$$

$$T_{\text{deadtime}} \cong \frac{C_{\text{OSC}} \times V_{\text{REF}} \times 0.5}{3 \cdot 10^{-3}}$$

The recommended range of timing resistors is between 10 kOhm and 200kOhm, range of timing capacitors is between 100pF and 1000pF. Timing resistors less than 10 kOhm should be avoided.

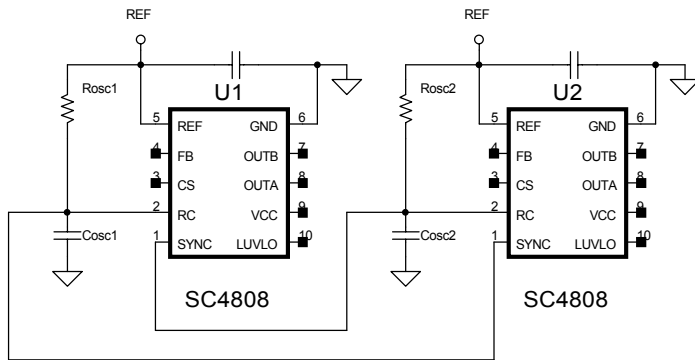
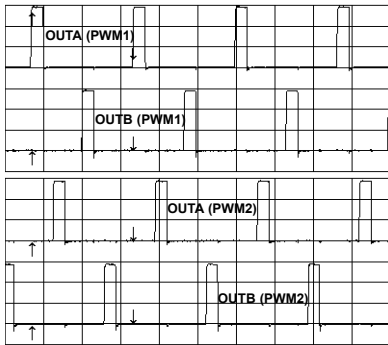


**POWER MANAGEMENT**

**Application Information (Cont.)**

**SYNC/Bi-Phase operation**

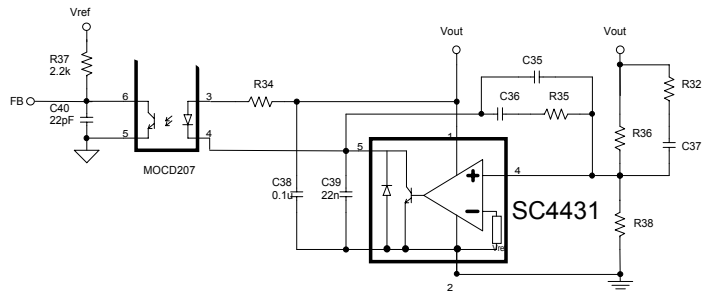
In noise sensitive applications where synchronization of the oscillator frequency to a reference frequency is required, the SYNC pin can accept the external clock. By connecting an external control signal to the SYNC pin, the internal oscillator frequency will be synchronized to the positive edge of the external control signal. SYNC is a positive edge triggered input with a threshold set to 1.0V (SC4808C). In a single controller operation, SYNC should be grounded or connected to an external synchronization clock within the SYNC frequency range.



In the Bi-phase operation mode a very unique oscillator is utilized to allow two SC4808C's to be synchronized together and work out of phase. This feature is set up by a simple connection of the SYNC input to the RC pin of the other part. The fastest oscillator automatically becomes the master, forcing the two PWMs to operate out of phase. This feature minimizes the input and output ripples, and reduces stress on the capacitors.

**FEED BACK**

The error signal from the output of an external error amplifier such as SC431 or SC4431 is applied to the inverting input of the PWM comparator at the FB pin either directly or via an opto coupler for the isolated applications. For best stability, keep the FB trace length as short as possible.



The signal at the FB pin is then compared to the 3X amplified signal from the current sense/ slope compensation CS pin. Matched out of phase signals are generated to control the OUTA and OUTB gate drives of the two phases. A single ramp signal is used to generate the control signals for both phases, hence achieving a tightly matched per phase operation.

Voltages below 1.5V at the FB pin, will produce a 0% duty cycle at the OUTA/OUTB gate drives. This offset is to provide enough head room for the opto coupler used in isolated applications.

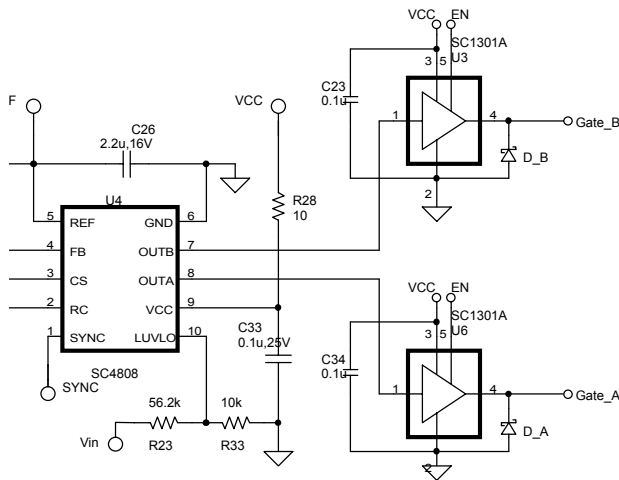
**GATE DRIVERS**

OUTA and OUTB are out of phase bipolar gate drive output stages, that are supplied from VCC and provide a peak source/sink current of about 100mA. Both stages are capable of driving the logic input of external MOSFET drivers or a NPN/PNP transistor buffer. The output stages switch at half the oscillator frequency. When the voltage on the RC pin is rising, one of the two outputs is high, but during fall time, both outputs are off. This "dead time" between the two outputs, along with a slower output rise and fall time, insures that the two outputs can not be on at the same time. The dead time is programmable and depends upon the timing capacitor.

**POWER MANAGEMENT**

**Application Information (Cont.)**

It should be noted that if high speed/high current drivers such as the SC1301 are used, careful layout guide lines must be followed in order to minimize stray inductance, which might cause negative voltages at the output of the drivers. This negative voltage can be clamped to a reasonable level by placing a small Schottky diode directly at the output of the driver as shown below.



**OVER CURRENT**

Two levels of over current protection are provided by the SC4808C. The current information is sensed at the CS pin and compared to a peak current limit level of 525mV. If the 525mV limit is exceeded, the OUTA and OUTB pulse widths and duty cycle is reduced until the CS pin reaches a second threshold of 700mV. At that point, the OUTA and OUTB are disabled, and after a delay of 140µs, the internal softstart sequence is started. After the softstart duration, normal operation is achieved, unless the over current condition is still present.

**POWER MANAGEMENT**
**Application Information (Cont.)**
**SLOPE COMPENSATION (Current or Voltage mode of operation)**

In applications where a current mode control is used for regulation, the peak inductor current information is used to produce the average output current. If a small perturbation due to changes in supply voltage or noise pick up is generated, instability may occur if the duty cycle is  $>50\%$ .

This phenomenon is graphically shown below. The inductor current and disturbed inductor current are shown for three different duty cycles conditions.

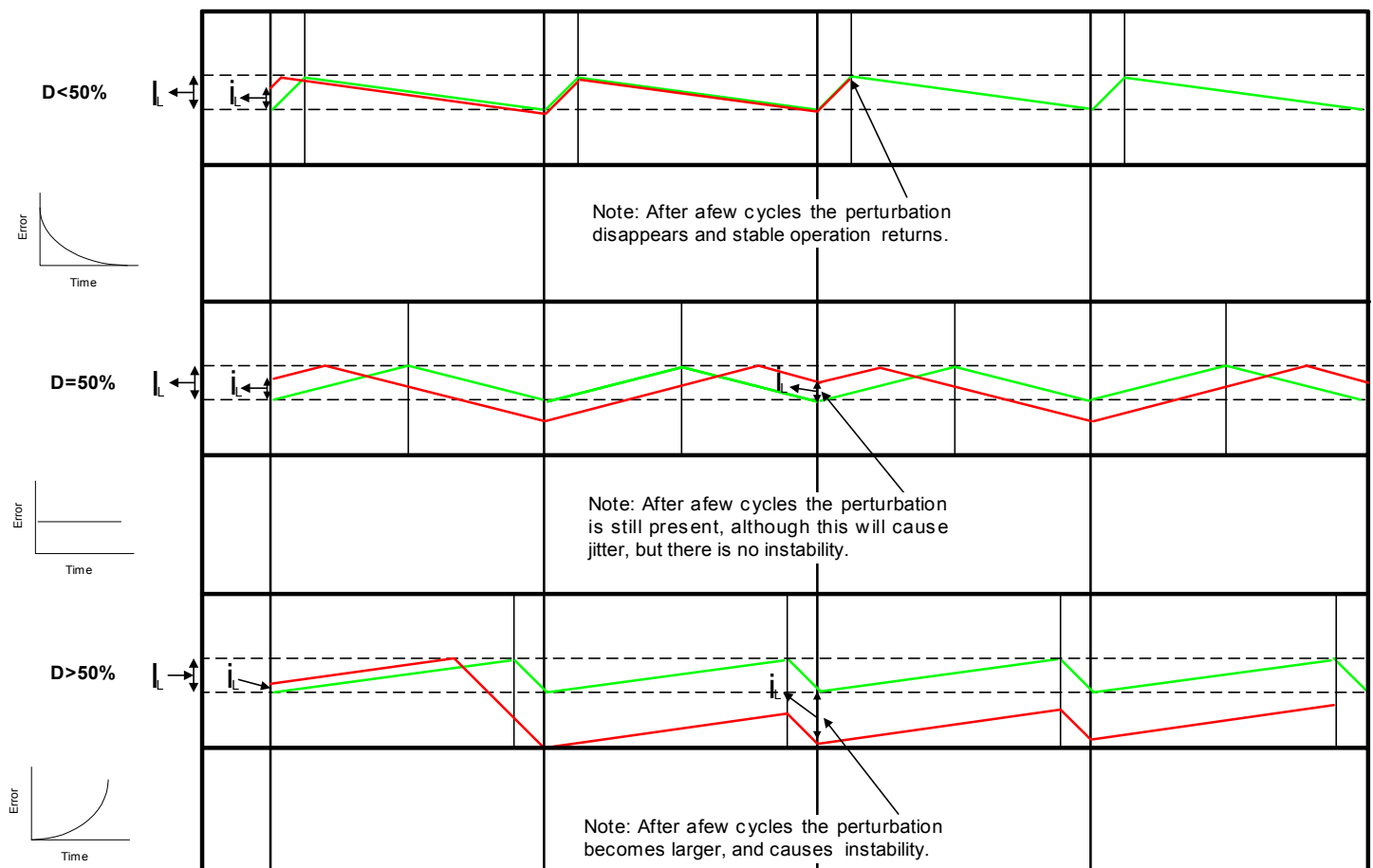
The top wave form shows the applications where the duty cycle  $D$  is less than  $50\%$ . As shown, even if an error is introduced, after only a few cycles the error converges to zero.

The second wave form shows the case where  $D = 50\%$ . Under this condition, even though the error does not completely disappear, it stays constant and is not getting larger. This will be seen as jitter at the inductor voltage.

The bottom wave form shows  $D > 50\%$ . As shown, a very small error results in a much larger error only after a few cycles. This will cause instability in the converter and the average output inductor current. The output load will not be able to be kept in regulation.

### Instability in current mode operation due to Duty cycle $>50\%$

$i_L$  : Small Inductor current perturbation  
 $I_L$  : Inductor current

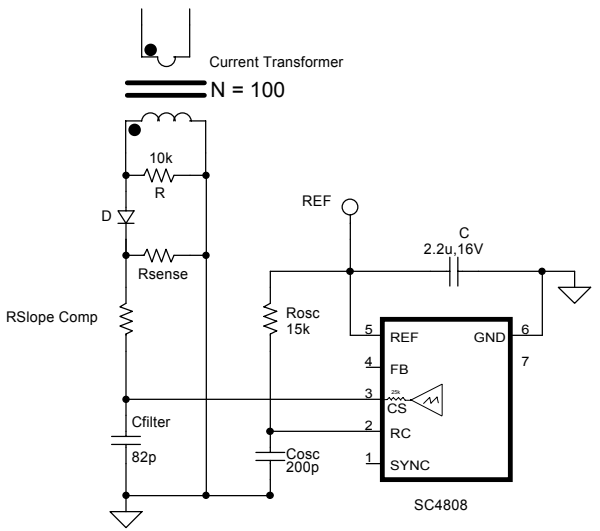


**POWER MANAGEMENT**

**Application Information (Cont.)**

The instability can be corrected by modification of the peak current information slope. One of the methods to alter the peak current information is to add a positive going ramp to the output of the current sensing circuitry.

The SC4808C achieves this by using an internal slope compensation circuit. The oscillator ramp is internally buffered and an internal 25kOhm resistor in conjunction with an external resistor at the CS pin will program the level of slope compensation.



RSlope Comp value will determine the Mode of operation (Voltage or Current)

The Peak current information is sensed and the result is realistically summed to the buffered oscillator ramp, as shown above. The value of the external resistor  $R_{slope\ comp}$  will determine the percentage of the slope compensation. As the value for  $R_{slope\ comp}$  is reduced, the current information becomes more dominant and the mode of operation becomes more current mode. At the same time the slope of the current information is modified to provide the slope compensation.

If the  $R_{slope\ comp}$  is increased, the internal ramp becomes the dominant signal and more voltage mode of operation is achieved. As it can be calculated from the second formula below, a 100% voltage mode operation can be achieved by choosing  $R_{slope\ comp}$  to be greater than 6.25kOhm. Also if a 100% current mode of operation is required,  $R_{slope\ comp}$  is reduced to zero and the contribution from the internal ramp is completely eliminated.

$$\%Slope\_Comp = \frac{V_{Ramp} \times \frac{(R_{slope\_Comp} + R_{sense})}{(R_{slope\_Comp} + R_{sense}) + R_{internal}}}{V_{CS}}$$

or

$$R_{external} \cong R_{internal} \cdot \left[ \frac{0.2 \times (\%slope\_Comp)}{1 - (0.2 \times \%slope\_Comp)} \right]$$

Next page illustrates how the buffered oscillator ramp is used to modify the sensed inductor current. It should be noted that in order for the slope compensation to be effective, the current sensed signal slope should be at least 50% less steeper than the oscillator positive ramp slope. The slope will include the magnetizing current of the transformer and the inductor output current in isolated applications. In non-isolated applications, the slope will only include the inductor output current.

**POWER MANAGEMENT**
**Application Information (Cont.)**
 $i_L$  : Small Inductor current perturbation

 $I_L$  : Inductor current

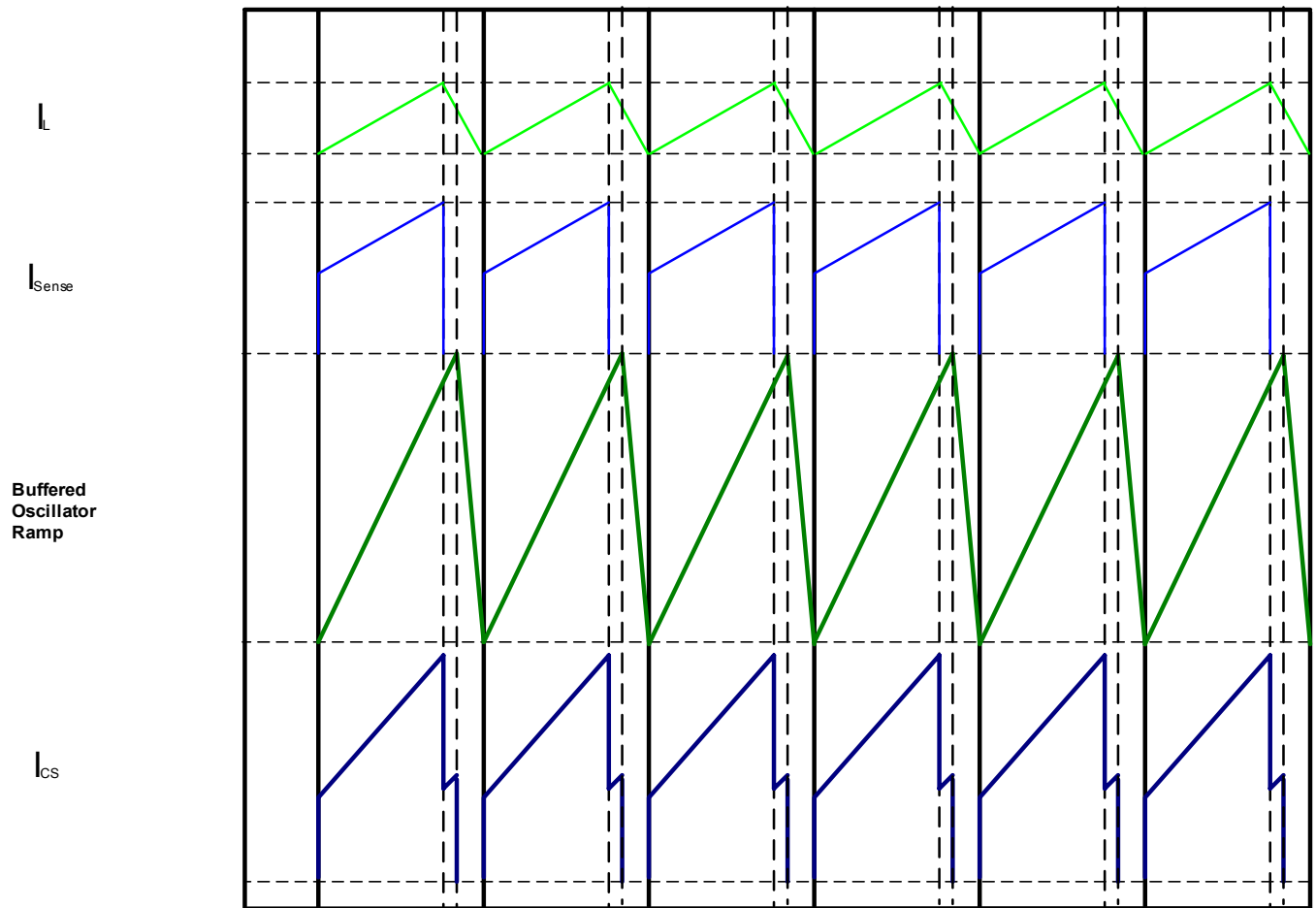
 $I_{Sense}$  : Sensed Mosfet current

 $I_{CS}$  : Summation of  $I_{Sense}$  and slope compensation, at the CS pin of the SC4808.

### Slope Compensation generation from Buffered Oscillator Ramp

**D>50%**

Note: Below wave forms are not to scale.



**POWER MANAGEMENT**
**Application Information (Cont.)**

Below the benefits from the slope compensation become apparent. The top wave form shows the stable operation before the perturbation. The second wave form shows the perturbation and the instability caused from it if no slope compensation is added to the current information. The last wave form shows the slope compensation and the effect of it. The increase in the slope of the current information results in an early termination of the inductor current, hence a reduction in the amount of error. As the cycle is repeated, the perturbation is reduced and finally eliminated.

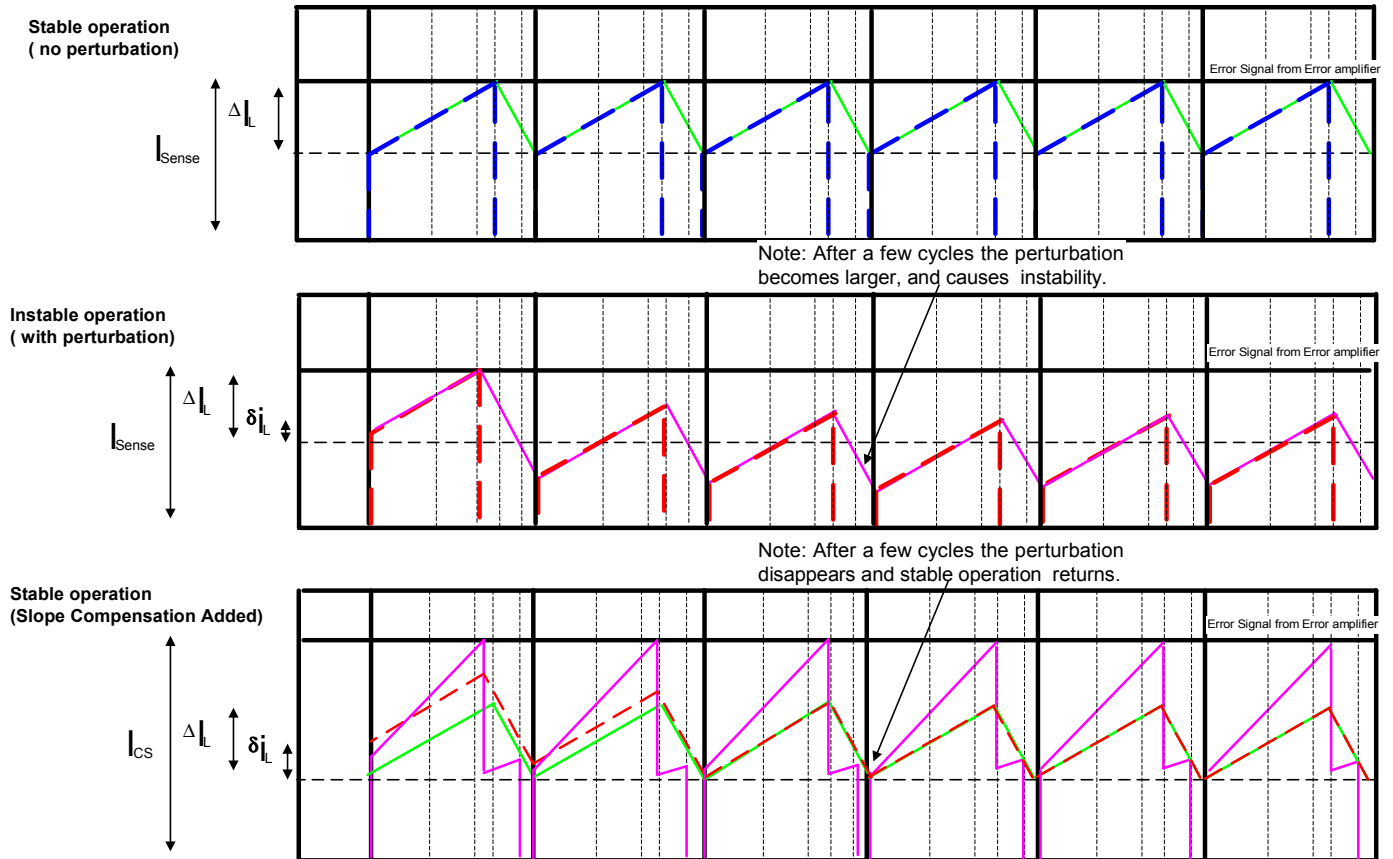
 $\delta i_L$  : Small Inductor current perturbation

 $\Delta I_L$  : Inductor current

 $I_{sense}$  : Sensed Mosfet current

 $I_{CS}$  : Summation of  $I_{sense}$  and slope compensation, at the CS pin of the SC4808.

### Stable current mode operation with Slope Compensation

**D>50%**


**POWER MANAGEMENT**

**Application Information (Cont.)**

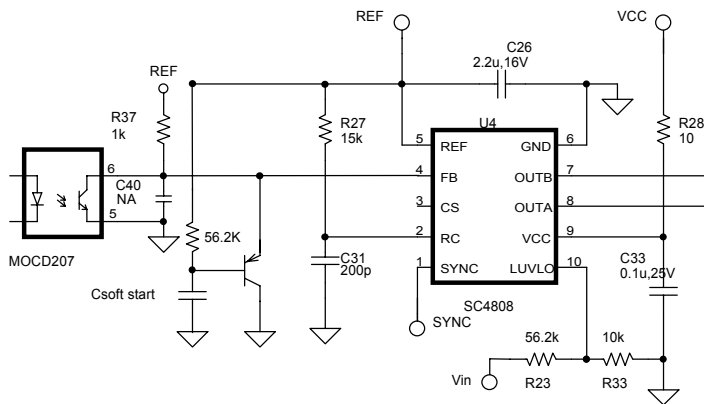
**SOFT START**

During start up of the converter, the discharged output capacitor and the load current have large supply current requirements. To avoid this a soft start scheme is usually implemented where the duty cycle of the regulator is gradually increased from 0% until the soft start duration is elapsed.

SC4808C has an internal soft start circuit that limits the duty cycle for a duration approximated by the formula below. Also the soft start circuitry is activated if an over current condition occurs. After an over current condition, OUTA and OUTB are disabled and kept low for a duration of about 140µs. After the delay, the OUTA and OUTB are enabled while the soft start limits the duty cycle. If the over current condition persists, the soft start cycle repeats indefinitely. Approximate internal soft start duration can be calculated as below:

$$T_{SoftStart} \cong \frac{(\text{Ramp}_{SoftStart}) \times \left( \frac{VREF}{2} \right)}{\left( \frac{R_{Internal\_SlopeComp}}{R_{CS\_to\_GND}} + 1 \right)}$$

If longer soft start durations are required, the simple external circuit shown below can be implemented.



Approximate soft start duration can be calculated as below:

$$T_{SoftStart} \cong C_{SoftStart} \times R37$$

**START UP SEQUENCE**

Initially during the power up, the SC4808C is in under voltage lock out condition. As the Vcc supply exceeds the UVLO limit of the SC4808C, the internal reference, oscillator, and logic circuitry are powered up.

The OUTA and OUTB drivers are not enabled until the line under voltage lock out limit is reached. At that point, once the FB pin is above 1.5V, soft start circuitry starts the output drivers, and gradually increases the duty cycle from 0%. The soft start duration is internally set (see formula in Soft Start section).

As the output voltage starts to increase, the error signal from the error amplifier starts to decrease. If isolation is required, the error amplifier output can drive the LED of the opto isolator. The output of the opto is connected in a common emitter configuration with a pull-up resistor to a reference voltage connected to the FB pin of the SC4808C. The voltage level at the FB pin provides the duty cycle necessary to achieve regulation.

If an over current condition occurs, the outputs are disabled and after a soft start delay time of about 100µs, the softstart sequence mentioned above is repeated.

**POWER MANAGEMENT****Application Information (Cont.)****LAYOUT GUIDELINES**

Careful attention to layout requirements are necessary for successful implementation of the SC4808C PWM controller.

High current switching is present in the application and their effect on ground plane voltage differentials must be understood and minimized.

1) The high power parts of the circuit should be laid out first. A ground plane should be used, the number and position of ground plane interruptions should be such as to not unnecessarily compromise ground plane integrity. Isolated or semi-isolated areas of the ground plane may be deliberately introduced to constrain ground currents to particular areas, such as the input capacitor and FET ground.

2) In the loop formed by the Input Capacitor(s) ( $C_{in}$ ), the FET must be kept as small as possible. This loop contains all the high current, fast transition switching. Connections should be as wide and as short as possible to minimize loop inductance. Minimizing this loop area will a) reduce EMI, b) lower ground injection currents, resulting in electrically "cleaner" grounds for the rest of the system and c) minimize source ringing, resulting in more reliable gate switching signals.

3) The connection between FETs and the Transformer should be a wide trace or copper region. It should be as short as practical. Since this connection has fast voltage transitions, keeping this connection short will minimize EMI.

4) The Output Capacitor(s) ( $C_{out}$ ) should be located as close to the load as possible. Fast transient load currents are supplied by  $C_{out}$  only, and connections between  $C_{out}$  and the load must be short, wide copper areas to minimize inductance and resistance.

5) The SC4808C is best placed over a quiet ground plane area. Avoid pulse currents in the  $C_{in}$  FET loop flowing in this area. GND should be returned to the ground plane close to the package and close to the ground side of (one of) the VCC supply capacitor(s). Under no circumstances should GND be returned to a ground inside the  $C_{in}$ , Q1, Q2 loop. Avoid making a star connection between the quiet GND planes that the SC4808C will be connected to and the noisy high current GND planes connected to the FETs.

6) The feed back connection between the error amplifier and the FB pin should be kept as short as possible. The GND connections should be connected to the quiet GND used for the SC4808C.

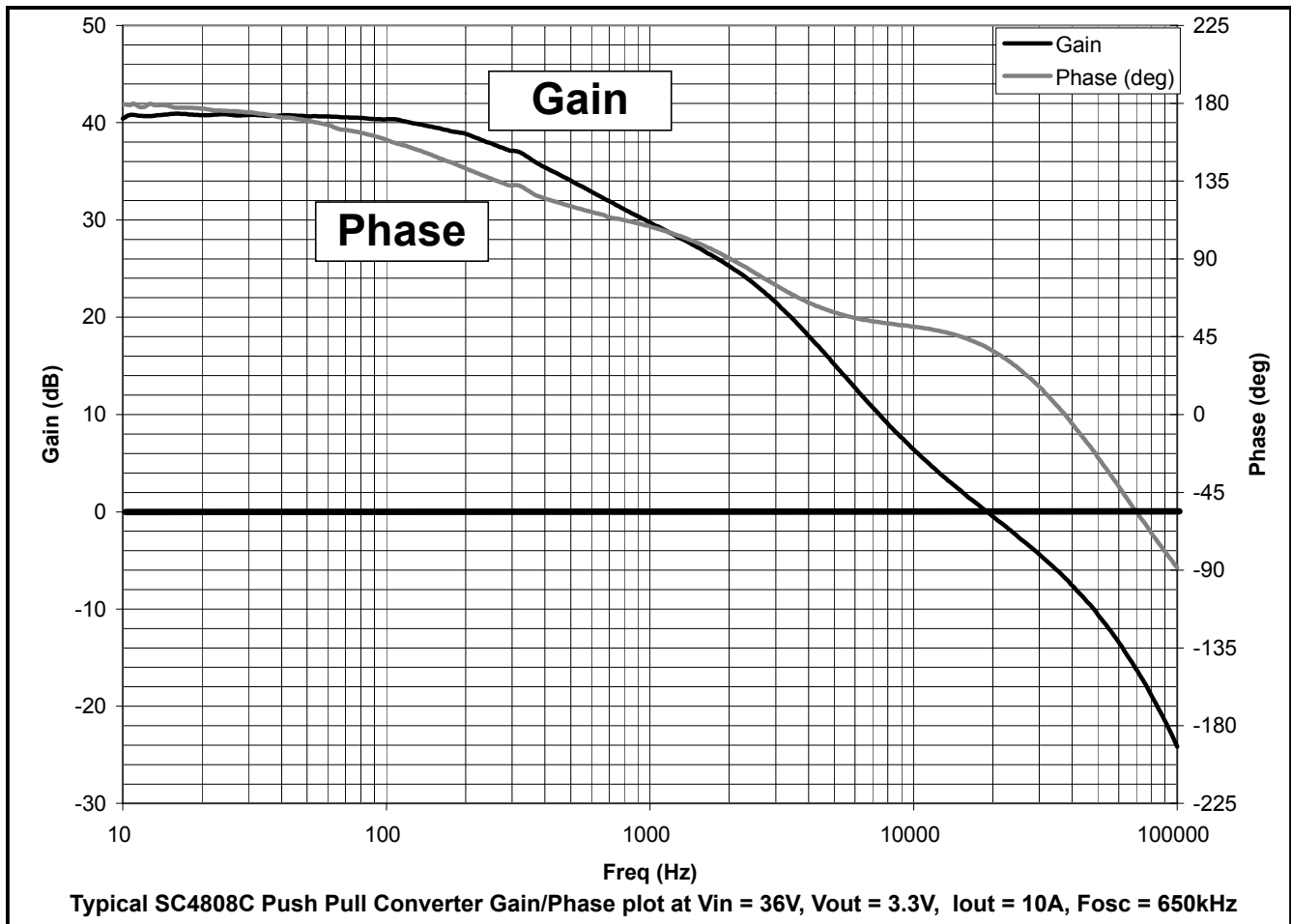
7) If an Opto isolator is used for isolation, quiet primary and secondary ground planes should be used. The same precautions should be followed for the primary GND plane as mentioned in item 5 mentioned above. For the secondary GND plane, the GND plane method mentioned in item 4 should be followed.

8) All the noise sensitive components such as LUVLO resistive divider, reference by pass capacitor, Vcc bypass capacitor, current sensing circuitry, feedback circuitry, and the oscillator resistor/capacitor network should be connected as close as possible to the SC4808C. The GND return should be connected to the quiet SC4808C GND plane.

9) The connection from the OUTA and OUTB of the SC4808C should be minimized to avoid any stray inductance. If the layout can not be optimized due to constraints, a small Schottky diode may be connected from the OUTA/B pins to the ground directly at the IC. This will clamp excessive negative voltages at the IC. If drivers are used, the Schottky diodes should be connected directly at the IC from the output of the driver to the driver ground.

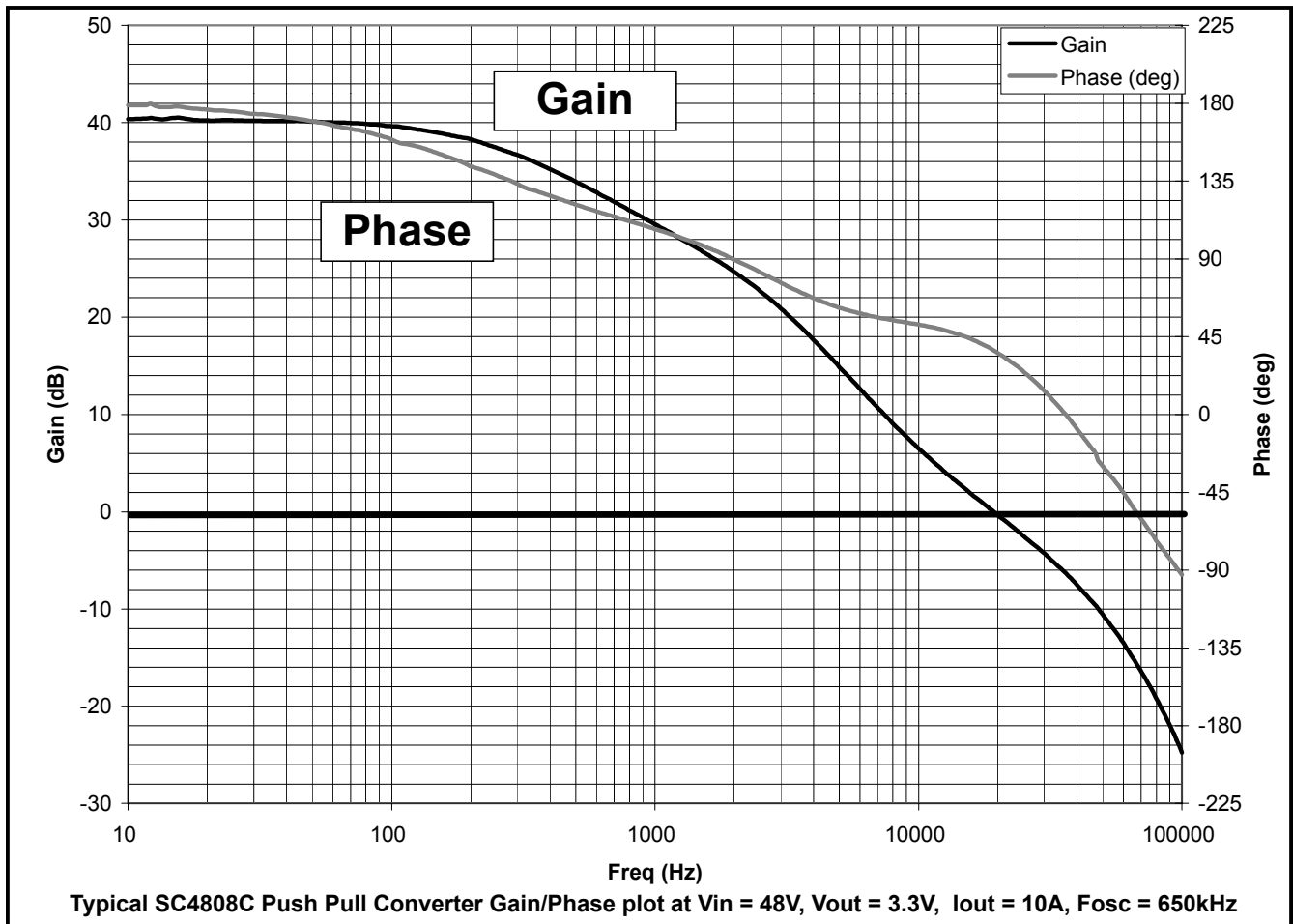
10) If the SYNC function is not used, the SYNC pin should be grounded at the SC4808C GND to avoid noise pick up.

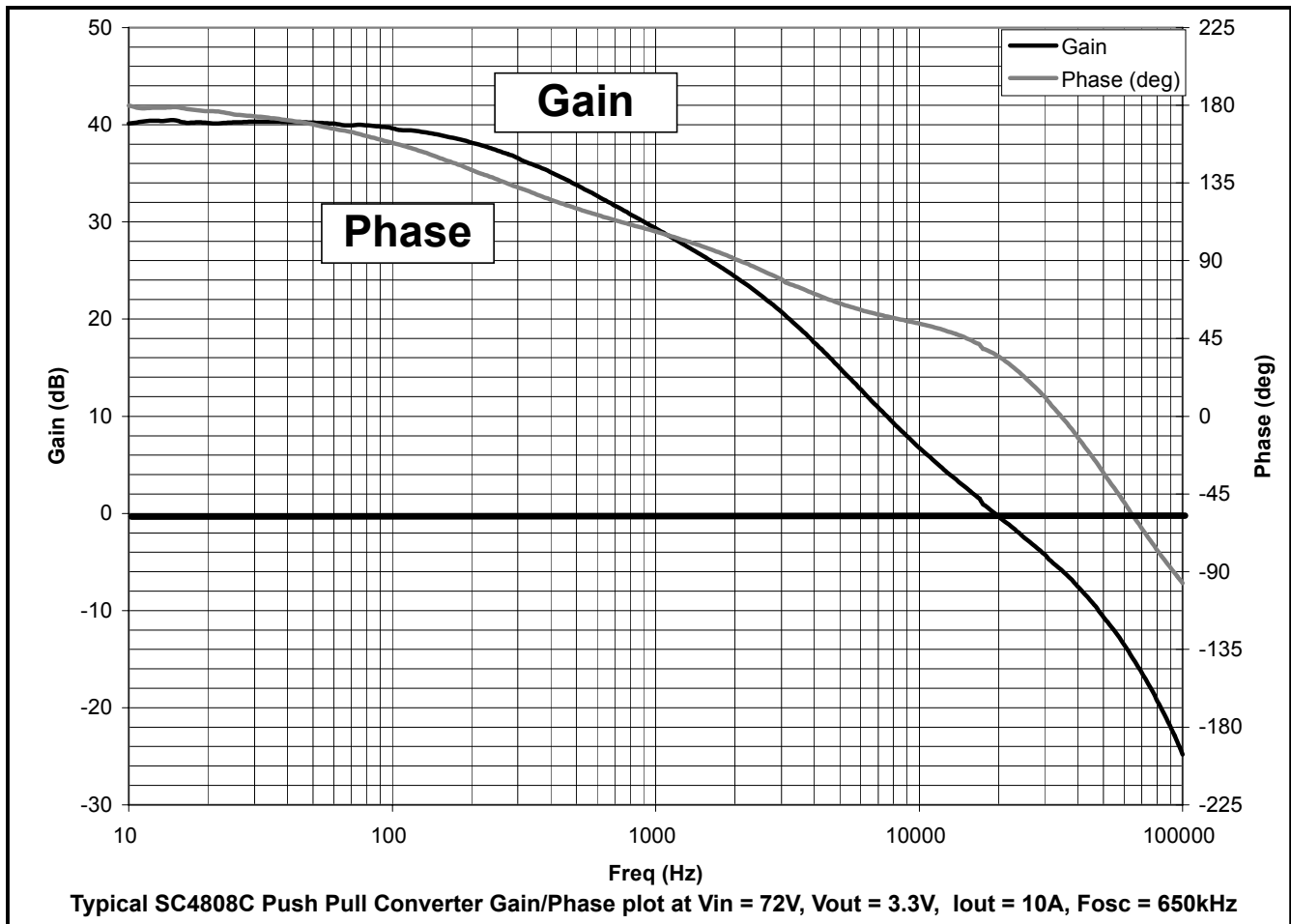


**POWER MANAGEMENT**
**Gain & Phase Margin**


**POWER MANAGEMENT**

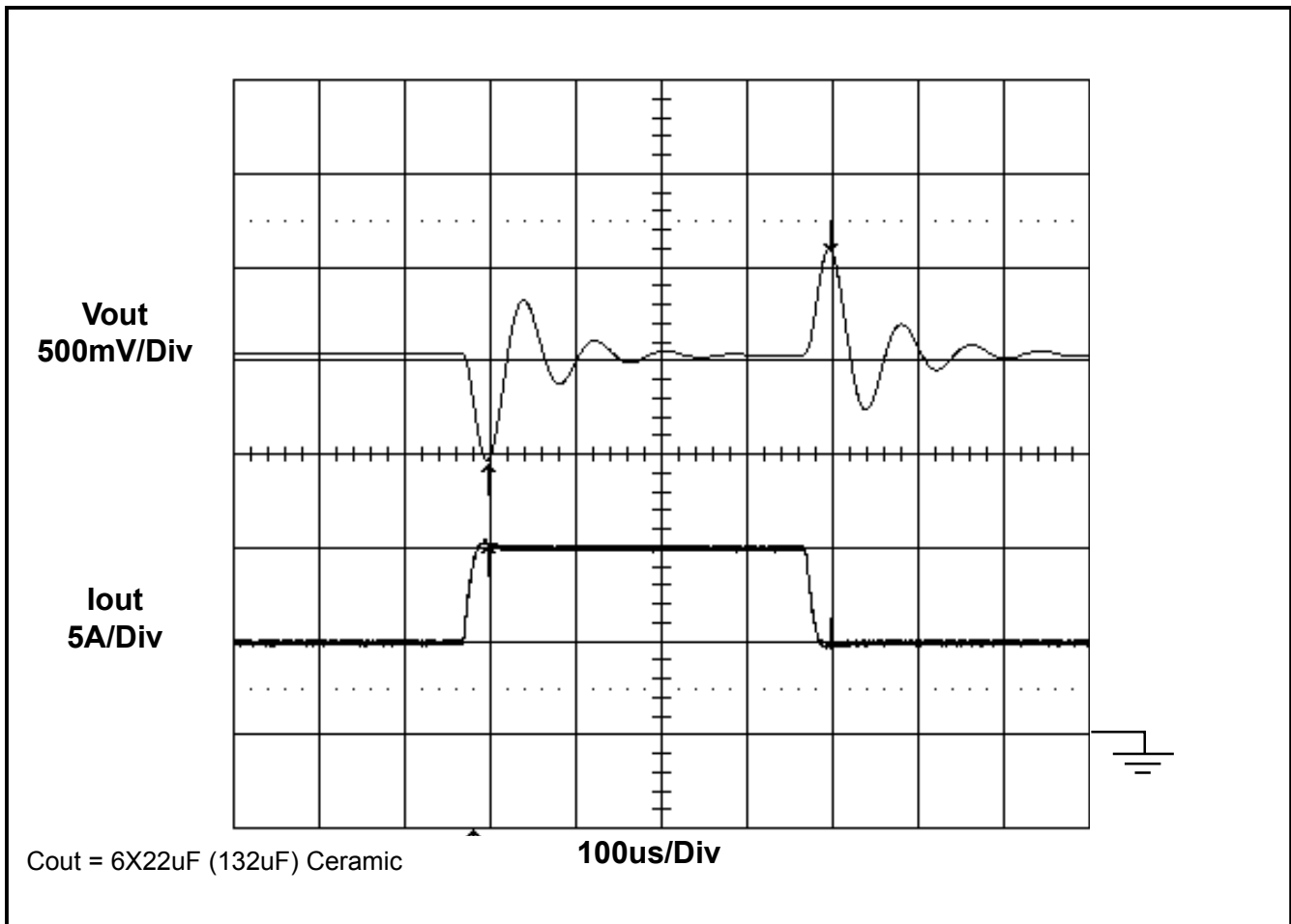
**Gain & Phase Margin (Cont.)**



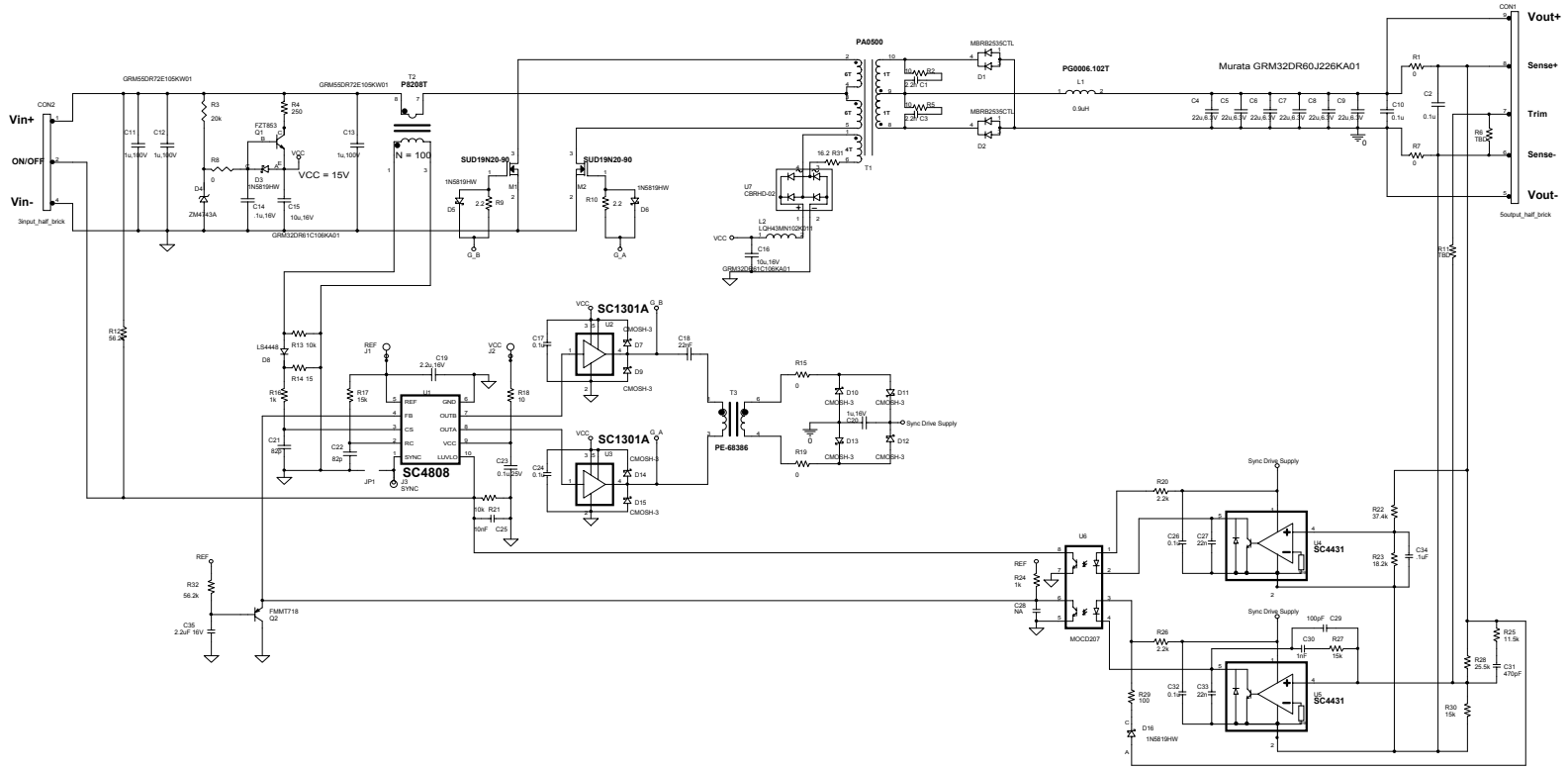
**POWER MANAGEMENT**
**Gain & Phase Margin (Cont.)**


**POWER MANAGEMENT**

**Typical Step Load**



Typical SC4808C Push Pull Converter Step Load plot at Vin = 48V, Vout = 3.3V, Step = 37% to 75% Iout, Fosc = 650kHz



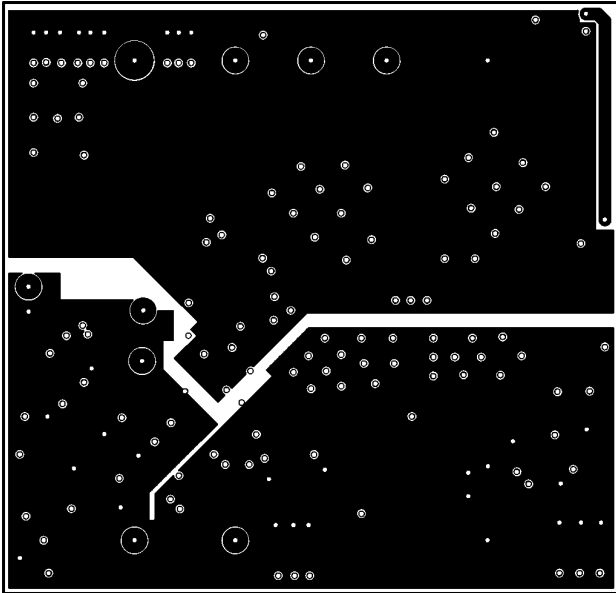
**Note:**  
For output power > 30W, adequate air flow should be provided to avoid over dissipation.

SEMTECH CORPORATION		
Title SC4808 Push Pull 3.3V 50W non Synchronous		
Size	Document Number SC4808EVB_non_sync	Rev 1.1
Date: Monday, October 07, 2002		Sheet 1 of 1

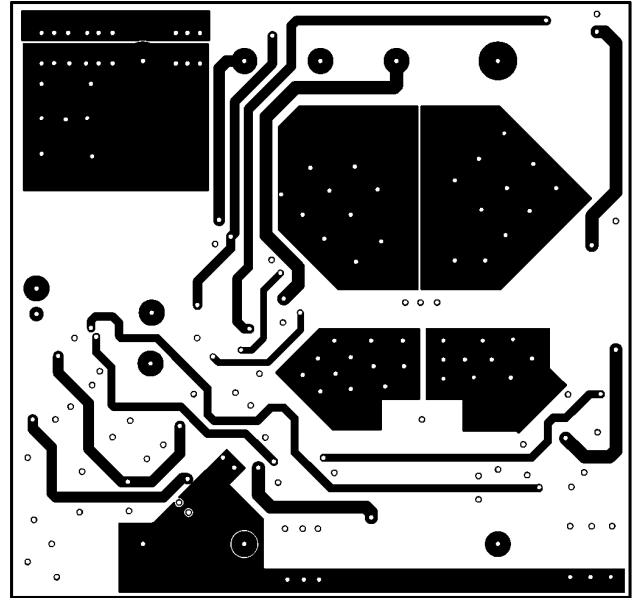
**POWER MANAGEMENT**
**Evaluation Board Bill of Materials**
**SC4808 Push Pull 3.3V 50W non Synchronous**
**SC4808EVB\_non\_sync Revision: 1.1**
**Bill Of Materials October 7,2002 13:35:18**

Item	Quantity	Reference	Part	Manufacturer #	Foot Print
1	1	CON1	5output_half_brick		CON15OUTPUT_HALF_BRICK
2	1	CON2	3input_half_brick		CON3INPUT_HALF_BRICK
3	2	C3,C1	2.2n		SM/C 1206
4	6	C2,C10,C17,C24,C26,C32	0.1u		SM/C_0805
5	6	C4,C5,C6,C7,C8,C9	22u,6.3V	GRM32DR60J226KA01	SM/C 1210 GRM
6	3	C11,C12,C13	1u,100V	GRM55DR72E105KW01	SM/C 2220
7	1	C14	.1u,16V		SM/C 0805
8	2	C15,C16	10u,16V	GRM32DR61C106KA01	SM/C 1210 GRM
9	1	C18	22nF		SM/C 1206
10	1	C19	2.2u,16V		SM/C 1206
11	1	C20	1u,16V	GRM32RR71H105KA011	SM/C_1210_GRM
12	2	C22,C21	82p		SM/C 0805
13	1	C23	0.1u,25V		SM/C 1206
14	1	C25	10nF		SM/C 0805
15	2	C27,C33	22n		SM/C 0805
16	1	C28	NA		SM/C 0805
17	1	C29	100pF		SM/C 0805
18	1	C30	1nF		SM/C 0805
19	1	C31	470pF		SM/C 0805
20	1	C34	.1uF		SM/C 0805
21	1	C35	2.2uF 16V		SM/C 0805
22	2	D2,D1	MBRB2535CTL		DIODE D2PAK
23	4	D3,D5,D6,D16	1N5819HW		SOD123
24	1	D4	ZM4743A		SMB/DO214
25	8	D7,D9,D10,D11,D12,D13,D14,D15	CMOSH-3	CMOSH-3 (Central Semiconductor)	SOD523
26	1	D8	LS4448		SM/DO213AC
27	1	JP1	short		VIA2P
28	1	J1	REF		ED5052
29	1	J2	Vcc		ED5052
30	1	J3	SYNC		ED5052
31	1	L1	0.9uH		PG0006
32	1	L2	LQH43MN102K011	LQH43MN102K01L	SDIP0302
33	2	M1,M2	SUD19N20-90	SUD19N20-90	DPAKFET
34	1	Q1	FZT853		SM/SOT223_BCEC
35	1	Q2	FMMT718		
36	4	R1,R7,R15,R19	0		SM/R 0805
37	2	R5,R2	10		SM/R_1206
38	1	R3	20k		SM/R 1206
39	1	R4	250		SM/R 1210 MCR
40	2	R6,R11	TBD		SM/R 0805
41	1	R8	0		SM/R 1206
42	2	R9,R10	2.2		SM/R_0805
43	1	R12	56.2k		SM/R_1206
44	1	R13	10k		SM/R 0805
45	1	R14	15		SM/R 0805
46	2	R16,R24	1k		SM/R 0805
47	3	R17,R27,R30	15k		SM/R 0805
48	1	R18	10		SM/R 0805
49	2	R26,R20	2.2k		SM/R_0805
50	1	R21	10k		SM/R 1206
51	1	R22	37.4k		SM/R 0805
52	1	R23	18.2k		SM/R 0805
53	1	R25	11.5k		SM/R 0805
54	1	R28	25.5k		SM/R 0805
55	1	R29	100		SM/R 0805
56	1	R31	16.2		SM/R_1206
57	1	R32	56.2k		SM/R 0805
58	1	T1	PA0500		PA0500
59	1	T2	P8208T		P8208T
60	1	T3	PE-68386		PE-68386
61	1	U1	SC4808		MSOP10
62	2	U2,U3	SC1301A		SOT23_5PIN
63	2	U4,U5	SC4431		SOT23_5PIN
64	1	U6	MOCD207		SO-8
65	1	U7	CBRHD-02		CBRHD-02





**Board Layout INNER1**

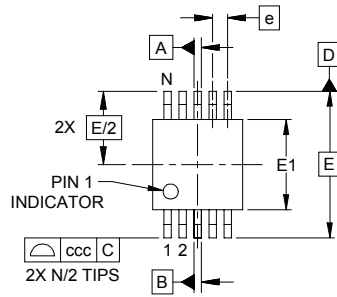


**Board Layout INNER2**

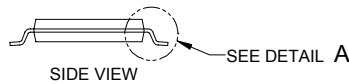
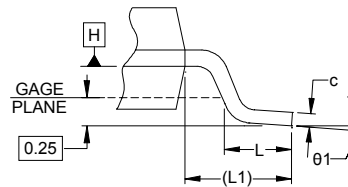
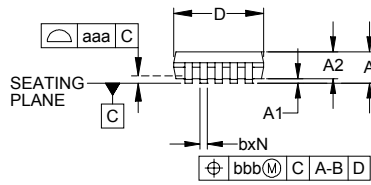


**POWER MANAGEMENT**

**Outline Drawing - MSOP-10**

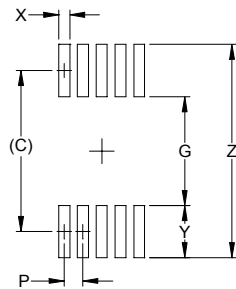


DIM	INCHES			MILLIMETERS		
	MIN	NOM	MAX	MIN	NOM	MAX
A	-	-	.043	-	-	1.10
A1	.000	-	.006	0.00	-	0.15
A2	.030	-	.037	0.75	-	0.95
b	.007	-	.011	0.17	-	0.27
c	.003	-	.009	0.08	-	0.23
D	.114	.118	.122	2.90	3.00	3.10
E1	.114	.118	.122	2.90	3.00	3.10
E	.193 BSC			4.90 BSC		
e	.020 BSC			0.50 BSC		
L	.016	.024	.032	0.40	0.60	0.80
L1	(.037)			(.95)		
N	10			10		
θ1	0°	-	8°	0°	-	8°
aaa	.004			0.10		
bbb	.003			0.08		
ccc	.010			0.25		



- NOTES:
1. CONTROLLING DIMENSIONS ARE IN MILLIMETERS (ANGLES IN DEGREES).
  2. DATUMS [-A-] AND [-B-] TO BE DETERMINED AT DATUM PLANE [-H-].
  3. DIMENSIONS "E1" AND "D" DO NOT INCLUDE MOLD FLASH, PROTRUSIONS OR GATE BURRS.
  4. REFERENCE JEDEC STD MO-187, VARIATION BA.

**Land Pattern - MSOP-10**



DIM	DIMENSIONS	
	INCHES	MILLIMETERS
C	(.161)	(4.10)
G	.098	2.50
P	.020	0.50
X	.011	0.30
Y	.063	1.60
Z	.224	5.70

- NOTES:
1. THIS LAND PATTERN IS FOR REFERENCE PURPOSES ONLY. CONSULT YOUR MANUFACTURING GROUP TO ENSURE YOUR COMPANY'S MANUFACTURING GUIDELINES ARE MET.

**Contact Information**

Semtech Corporation  
 Power Management Products Division  
 200 Flynn Road, Camarillo, CA 93012  
 Phone: (805)498-2111 FAX (805)498-3804