



Chipsmall Limited consists of a professional team with an average of over 10 year of expertise in the distribution of electronic components. Based in Hongkong, we have already established firm and mutual-benefit business relationships with customers from,Europe,America and south Asia,supplying obsolete and hard-to-find components to meet their specific needs.

With the principle of “Quality Parts,Customers Priority,Honest Operation,and Considerate Service”,our business mainly focus on the distribution of electronic components. Line cards we deal with include Microchip,ALPS,ROHM,Xilinx,Pulse,ON,Everlight and Freescale. Main products comprise IC,Modules,Potentiometer,IC Socket,Relay,Connector.Our parts cover such applications as commercial,industrial, and automotives areas.

We are looking forward to setting up business relationship with you and hope to provide you with the best service and solution. Let us make a better world for our industry!



## Contact us

Tel: +86-755-8981 8866 Fax: +86-755-8427 6832

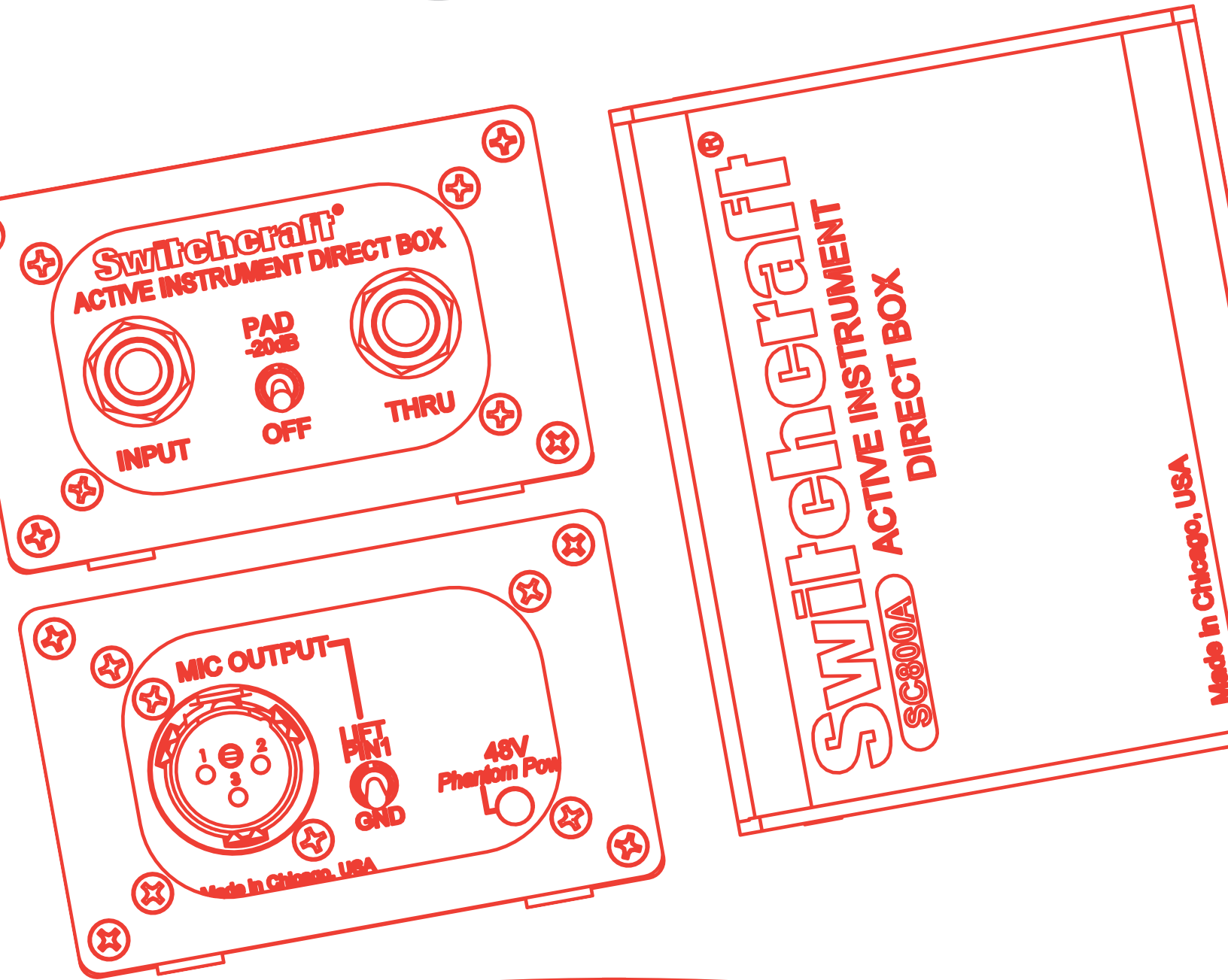
Email & Skype: info@chipsmall.com Web: www.chipsmall.com

Address: A1208, Overseas Decoration Building, #122 Zhenhua RD., Futian, Shenzhen, China





**Switchcraft®  
Pro Audio**



# SC800A ACTIVE INSTRUMENT DIRECT BOX

NPB | 609



# SC800A ACTIVE INSTRUMENT DIRECT BOX

NPB | 609

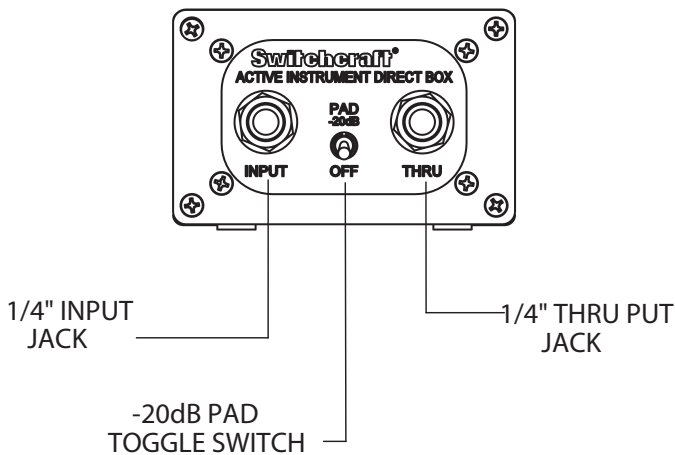
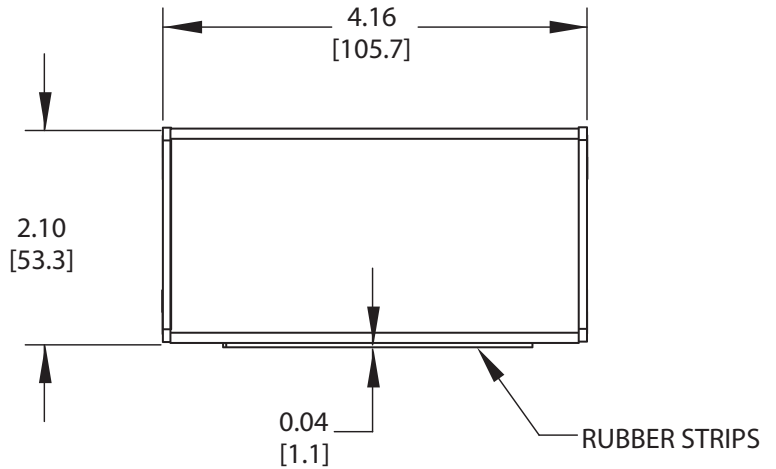
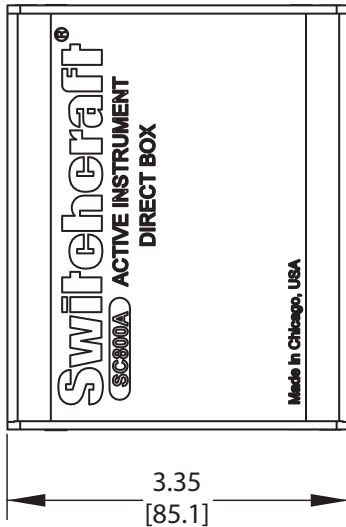


A 48V phantom powered instrument direct box designed to quietly preserve the tone of the world's finest musical instruments. The SC800A is ideal for converting the unbalanced outputs of passive musical instruments such as acoustic guitar and bass to balanced, mic level signals that can be connected to audio consoles and mic preamps. Precision engineered active circuitry provides extended reach and superior audio fidelity for professional audio engineers and musicians

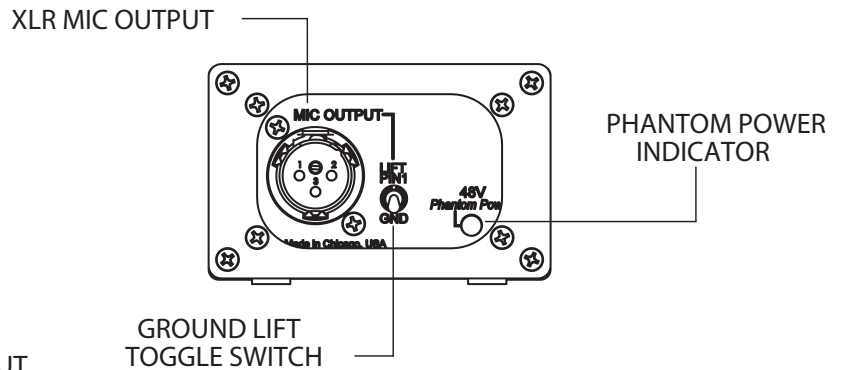
**SC800A** Active Instrument Direct Box

# SC800A ACTIVE INSTRUMENT DIRECT BOX

NPB | 609



**CONTROLS:**  
 INPUT: 1/4" Mono (TS)  
 THRU PUT: 1/4" Mono (TS)  
 PAD: 20dB Input Pad  
 GRND LIFT: XLR Pin 1 Lift



**NOTES:**

1. THE XLR CONNECTOR IS WIRED PIN-1 GRND, PIN-2 HOT AND PIN-3 COLD
2. MATERIALS:  
 HOUSING AND END PANELS: BLACK ANODIZED ALUMINUM  
 RECESSED COMPONENT PANELS: SATIN BLUE PEWTER ANODIZED
3. LASER ETCHED ARTWORK WITH WHITE TEXT
4. THIS PRODUCT IS RoHS COMPLIANT.

# SC800A ACTIVE INSTRUMENT DIRECT BOX

NPB | 609

## AUDIO SPECIFICATIONS

PARAMETER	PERFORMANCE	CONDITIONS
Frequency Response	30Hz-30kHz	+/-0.3dB, ref 1kHz
Total Harmonic Distortion + Noise	<0.008% <0.04%	at 1kHz, +4dBu Input, 22kHz Bandwidth at 20Hz, +4dBu Input, 22kHz Bandwidth
Maximum Input Level	+12dBu +32dBu	at 20Hz with 1% THD+Noise with 20dB Pad engaged
Input Impedance	> 1M $\Omega$	at 1kHz
Output Impedance	<600 $\Omega$	at 1kHz
Common Mode Rejection Ratio (CMRR)	>86dB >65dB	at 60Hz, Input at 60Hz, Output
Deviation from Linear Phase	<16° <1° <-12°	at 20Hz at 1Khz at 20kHz
Voltage Gain	+3dB -17dB	+/-1dB +/-1dB with 20dB pad engaged
Pad Attenuation	20dB	+/-1dB