



Chipsmall Limited consists of a professional team with an average of over 10 year of expertise in the distribution of electronic components. Based in Hongkong, we have already established firm and mutual-benefit business relationships with customers from,Europe,America and south Asia,supplying obsolete and hard-to-find components to meet their specific needs.

With the principle of “Quality Parts,Customers Priority,Honest Operation,and Considerate Service”,our business mainly focus on the distribution of electronic components. Line cards we deal with include Microchip,ALPS,ROHM,Xilinx,Pulse,ON,Everlight and Freescale. Main products comprise IC,Modules,Potentiometer,IC Socket,Relay,Connector.Our parts cover such applications as commercial,industrial, and automotives areas.

We are looking forward to setting up business relationship with you and hope to provide you with the best service and solution. Let us make a better world for our industry!



Contact us

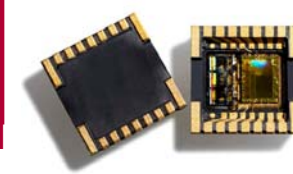
Tel: +86-755-8981 8866 Fax: +86-755-8427 6832

Email & Skype: info@chipsmall.com Web: www.chipsmall.com

Address: A1208, Overseas Decoration Building, #122 Zhenhua RD., Futian, Shenzhen, China



Data Sheet



SCA3000-E02 3-AXIS ULTRA LOW POWER ACCELEROMETER WITH DIGITAL I²C INTERFACE

Features

- 2.35 V – 3.6 V supply voltage, 1.7 V - 3.6 V digital I/O voltage
- ±3 g measurement range
- I²C digital interface: V2.1 compliant, 10-bit addressing, supports standard mode
- Selectable frequency response
- Ultra low current consumption (2.5 V, 200 μA typ)
- 64 samples/axis buffer memory for output acceleration data and advanced features enable significant power and resource savings at system level
- Interrupt signal triggered by motion and free fall
- Size 7x7x1.8 mm
- Proven capacitive 3D-MEMS technology
- High shock durability
- RoHS compliant / lead free soldering

Applications

SCA3000-E02 is targeted to battery operated wrist and hand-held devices. Typical applications are but not limited

- Motion activated functions in mobile terminals and antitheft systems
- Gaming input devices
- Inclination sensing in digital inclinometers
- Tilt compensation in electronic compass
- Hard disk protection
- Pedometers and activity monitors

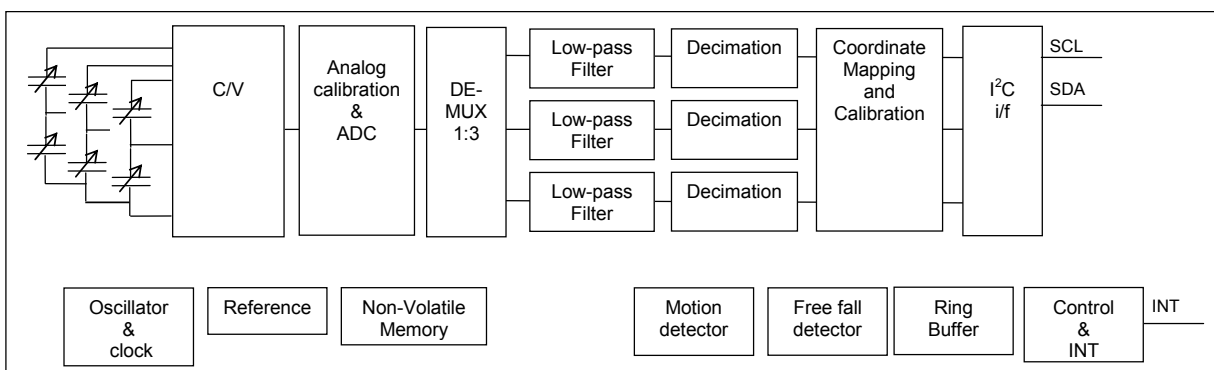


Figure 1 SCA3000-E02 Block Diagram

Performance Characteristics ¹⁾

Parameter	Condition	Typical supply range 2.35 – 2.7 V			Extended supply range 2.7 – 3.6 V			Units
		Min	Typ ²⁾	Max	Min	Typ ²⁾	Max	
Analog and digital Vdd		2.35	2.5	2.7	-	3.3	-	V
Digital I/O Vdd	Vdd ≥ Digital I/O Vdd	1.7	1.8 / 2.5	2.7	-	3.3	-	V
Operating temperature **		-40	-	85	-40	-	85	°C
Current consumption *	Reset ³⁾	-	<7	12	-	<9	-	μA
	Active	-	200	240	-	250	-	μA
	Motion Detection mode	-	170	210	-	210	-	μA
Acceleration range * ⁴⁾	Nominal	-3	-	3	-	± 3	-	g
Offset calibration error *	Z-axis +1g position	-40	-	40	-	± 100	-	mg
Offset temperature error ** ⁵⁾	-40 ... +85 °C	-3	±0.8	3	-	±0.8	-	mg/°C
Sensitivity * ⁶⁾		-	1000	-	1000	-	-	Count/g
Sensitivity calibration error *		-1.5	-	+1.5	-	± 1	-	%
Sensitivity temperature error ** ⁷⁾	-40 ... +85 °C	-	±0.01	-	-	±0.01	-	%/°C
Non-Linearity ** ⁸⁾		-3	±1	3	-	1	-	% FS
Cross-Axis sensitivity ** ⁹⁾		-	3	-	-	3	-	%
Bandwidth ** ¹⁰⁾	Measurement mode	32	40	48	-	40	-	Hz
	Narrow band measurement mode	9	11	13	-	11	-	Hz
Noise ** ¹¹⁾	Measurement mode	-	9	18	-	9	-	mg RMS
	Narrow band measurement mode	-	5	10	-	5	-	mg RMS
Output data rate **	Measurement mode	100	125	150	-	130	-	Hz
	Narrow band measurement mode	50	63	75	-	63	-	Hz
Turn on time ** ¹²⁾	Measurement mode	-	30	70	-	30	-	ms
	Narrow band measurement mode	-	200	400	-	200	-	ms
I ² C clock rate **		-	-	100	-	-	100	kHz

* 100% tested in production

** Qualified during product validation

1) The product is factory calibrated at 2.5 V in room temperature.

2) Typical values are not guaranteed.

3) Includes the current through the internal 400 kΩ pull-up resistor connected to digital I/O Vdd.

4) Range defined as $\sqrt{x^2+y^2+z^2} \leq 3g$. The measuring range is tested on sensing element level. FS = 3g.

5) Offset temperature error = {Count(0g)-Offset} / Sensitivity [g]. Sensitivity = Calibrated sensitivity. Offset= Calibrated offset.

6) Sensitivity = {Count(+1g) - Count(-1g)}/2 [Count/g].

7) Sensitivity temperature error = {[Count(+1g)-Count(-1g)]/2 - Sensitivity} / Sensitivity x 100% [%]. Sensitivity = Calibrated sensitivity.

8) From straight line through sensitivity calibration (+1g, -1g) points.

9) The cross-axis sensitivity determines how much acceleration, perpendicular to the measuring axis, couples to the output. The total cross-axis sensitivity is the geometric sum of the sensitivities of the two axes which are perpendicular to the measuring axis. The angular alignment error between X, Y and Z axis is included into the cross axis sensitivity.

10) Frequency responses according to Figure 3 and Figure 4.

11) Average noise/axis over the measurement bandwidth defined as $\sqrt{\frac{1}{3}(n_x^2+n_y^2+n_z^2)}$, where n_x , n_y and n_z are

the measured signal's standard deviation due to noise in x, y and z directions.

12) Settling error less than 1% of FS.

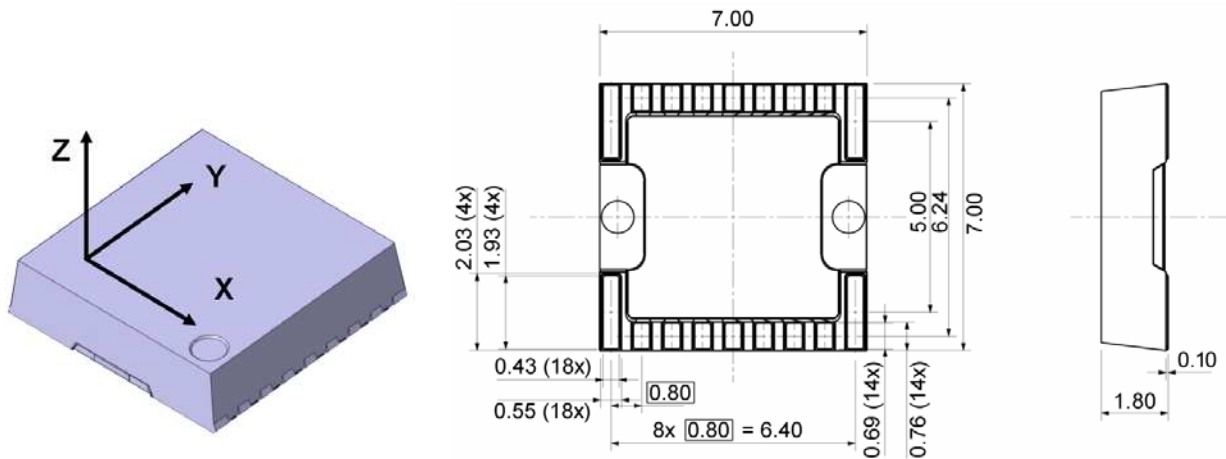


Figure 2 Sensing directions and package dimensions in mm with $\pm 50 \mu\text{m}$ tolerance.

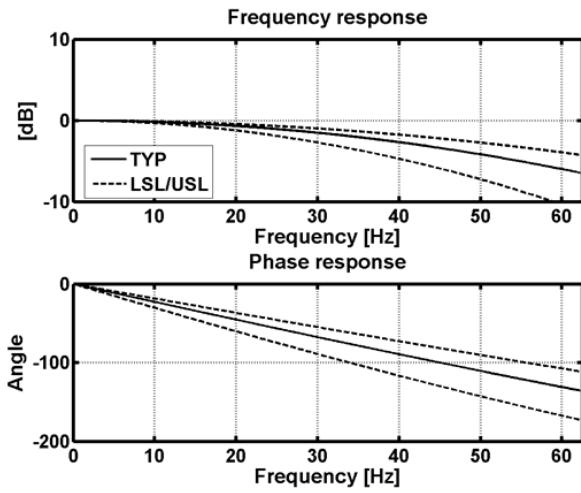


Figure 3 Frequency response of SCA3000-E02 in measurement mode

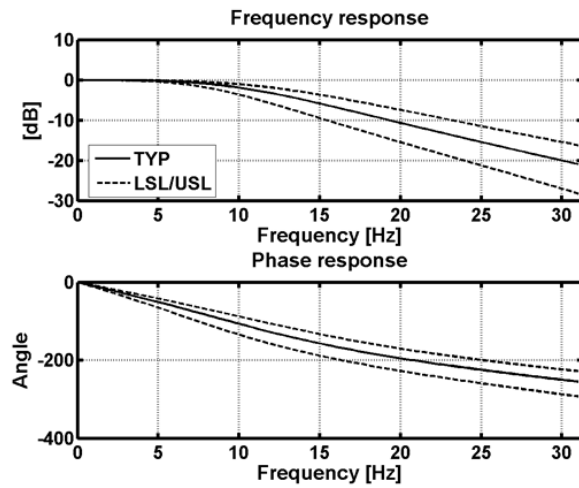


Figure 4 Frequency response of SCA3000-E02 in bypass measurement mode

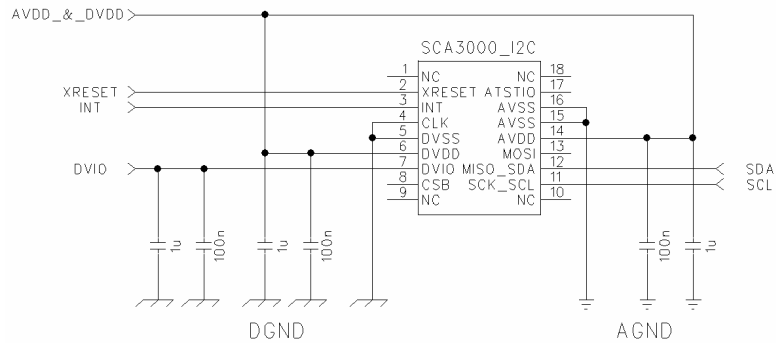


Figure 5 Application schematic

Pin #	Name	Function
1	NC	Not connected
2	XRESET	External reset, active low
3	INT	Interrupt output
4	CLK	Digital ground
5	DVSS	Digital ground
6	DVDD	Digital supply
7	DVIO	Digital I/O supply
8	CSB	Not connected
9	NC	Not connected
10	NC	Not connected
11	SCK_SCL	I ² C clock (SCL)
12	MISO_SDA	I ² C data (SDA)
13	MOSI	Not connected
14	AVDD	Analog supply
15	AVSS	Analog ground
16	AVSS	Analog ground
17	ATSTIO	Not connected
18	NC	Not connected

Table 1 Pin descriptions

Document Change Control

Rev.	Date	Change Description
A	21-Apr-06	1 st official release
A.01	13-Jun-06	Dimensions updated
A.02	31-Oct-07	Figure 2 updated
B	28-Aug-08	Performance characteristics updated