



Chipsmall Limited consists of a professional team with an average of over 10 year of expertise in the distribution of electronic components. Based in Hongkong, we have already established firm and mutual-benefit business relationships with customers from,Europe,America and south Asia,supplying obsolete and hard-to-find components to meet their specific needs.

With the principle of “Quality Parts,Customers Priority,Honest Operation,and Considerate Service”,our business mainly focus on the distribution of electronic components. Line cards we deal with include Microchip,ALPS,ROHM,Xilinx,Pulse,ON,Everlight and Freescale. Main products comprise IC,Modules,Potentiometer,IC Socket,Relay,Connector.Our parts cover such applications as commercial,industrial, and automotives areas.

We are looking forward to setting up business relationship with you and hope to provide you with the best service and solution. Let us make a better world for our industry!



Contact us

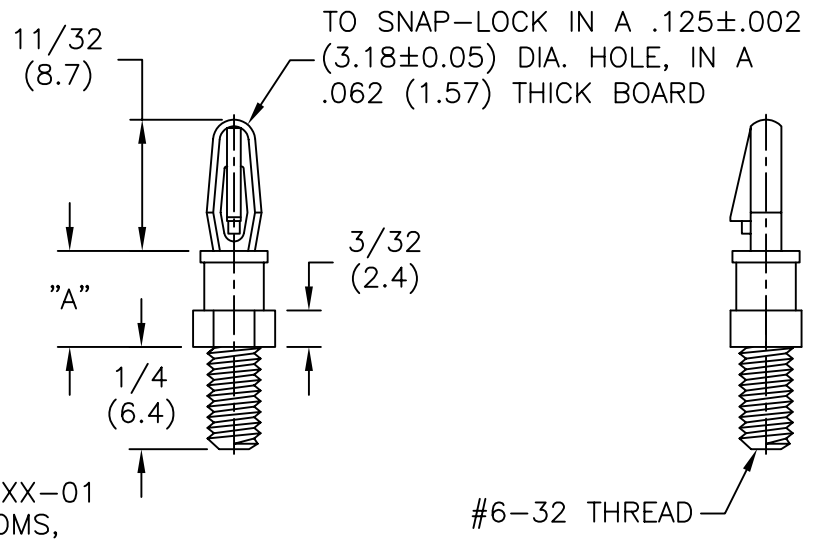
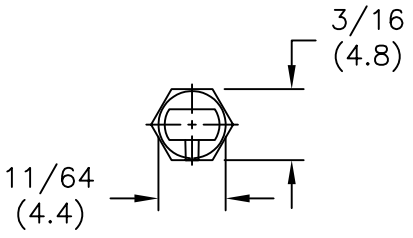
Tel: +86-755-8981 8866 Fax: +86-755-8427 6832

Email & Skype: info@chipsmall.com Web: www.chipsmall.com

Address: A1208, Overseas Decoration Building, #122 Zhenhua RD., Futian, Shenzhen, China



PART NO.	DIM "A" ±.015 (±0.4)
SCBSM-632-2-01	1/8 (3.2)
SCBSM-632-3-01	3/16 (4.8)
SCBSM-632-4-01	1/4 (6.4)
SCBSM-632-5-01	5/16 (7.9)
SCBSM-632-6-01	3/8 (9.5)
SCBSM-632-7-01	7/16 (11.1)
SCBSM-632-8-01	1/2 (12.7)
SCBSM-632-9-01	9/16 (14.3)
SCBSM-632-10-01	5/8 (15.9)



NOTES:

- MAT'L: NYLON 6/6 (RMS-01). FLAME RETARDANT, NYLON (RMS-19), AVAILABLE BY SPECIAL ORDER.
- COLOR: NATURAL.
- MSCBSM-M3-XX-01 OR MSCBSM-M4-XX-01 WITH M3 OR M4 THREADED STUD BOTTOMS, AVAILABLE BY SPECIAL ORDER ONLY. MSCBSM ALSO AVAILABLE IN V-0 MATERIAL BY SPECIAL ORDER. TO ORDER REPLACE "-01" WITH "-19"

REV	DESCRIPTION	ENGR	DATE
F	SEE ECN #484 FOR CHANGES	SM	10.09.02
E	SEE ECN #473 FOR CHANGES	SM	09.27.02
D	CHANGED FILE NO. AND TITLE BLOCK	SM	08.14.02
C	MAT'L RMS-19 ADDED	J.L.	12.29.97
B	632 ADDED TO P/N (SCBSM) & METRIC SERIES ADDED	J.L.	9.29.97
A	CONVERTED TO ACAD	PB	07.12.94

TITLE: STUDDED CIRCUIT BOARD SUPPORT, MINI			
TOLERANCES UNLESS NOTED .XX=±.010 .XXX=±.005 FRAC=±1/64 ANG=±1°	FILE # SCBSM	DWN: P.B.	APP:
	MAT'L: SEE NOTES	DT: 07-12-94	DT:
	RE: RICHCO, INC.	RICHCO INC. PO BOX 804238, CHICAGO, 60680 (773) 539-4060	

		DWG IN IN (MM)	
FINAL		PART #	PRINT TYPE
		SEE TABLE	CA