



Chipsmall Limited consists of a professional team with an average of over 10 year of expertise in the distribution of electronic components. Based in Hongkong, we have already established firm and mutual-benefit business relationships with customers from,Europe,America and south Asia,supplying obsolete and hard-to-find components to meet their specific needs.

With the principle of “Quality Parts,Customers Priority,Honest Operation,and Considerate Service”,our business mainly focus on the distribution of electronic components. Line cards we deal with include Microchip,ALPS,ROHM,Xilinx,Pulse,ON,Everlight and Freescale. Main products comprise IC,Modules,Potentiometer,IC Socket,Relay,Connector.Our parts cover such applications as commercial,industrial, and automotives areas.

We are looking forward to setting up business relationship with you and hope to provide you with the best service and solution. Let us make a better world for our industry!



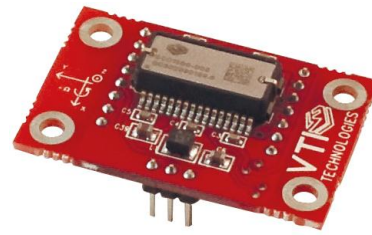
## Contact us

Tel: +86-755-8981 8866 Fax: +86-755-8427 6832

Email & Skype: info@chipsmall.com Web: www.chipsmall.com

Address: A1208, Overseas Decoration Building, #122 Zhenhua RD., Futian, Shenzhen, China





**SCC1300-D0X PWB**  
Specification

## 1 SCC1300-D0X PWB

The purpose of SCC1300-D0X PWB is to enable fast prototyping.

SCC1300-D0X PWB includes

- SCC1300-D01 sensor soldered on PWB
- PWB design # 29688 with pin headers
- Step up converter circuitry to create 5 V supply from external 3.3 V supply
  - SCC1300-D0X PWB can be powered with only 3.3 V
- Connectors and passive components

Refer to corresponding SCC1300-D0X datasheet when using the SCC1300-D0X PWB.

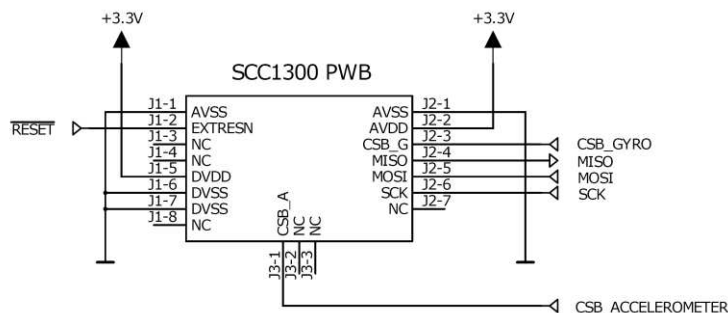


Figure 1. SCC1300-D0X PWB pin out and external connections.

Table 1. BOM of SCC1300-D0X PWB.

Item	Qty	Ref	Part Name / type	Value
1	1	R1	Resistor 0603	390kΩ
2	1	R2	Resistor 0603	130kΩ
3	1	R3	Ferrite bead 0603/BLM18HGXXX 1GHz	1kΩ
4	1	R4	Resistor 0805	10Ω
5	6	C1-5, C12	Capacitor 0603	100 nF
6	1	C6	Capacitor 0805	1 μF
7	1	C7	Capacitor 0805/10P_AVH_50V	470 nF
8	3	C8-9, C11	Capacitor 1210/X5R	4.7μF
9	1	C10	Capacitor 0603	3.3 pF
10	1	C13	Capacitor 1206	10uF
11	1	V1	Diode MBRS2040LT3/SMB	
12	1	L1	Inductor 1210/10P_EPCOSuH	47μH
13	1	L2	Inductor 7X7/10U/EPCOS	10μH
14	1	A1	Switching Regulator LT3467/SOT23-6	
15	1	U1	SCC1300 Gyro Accelerometer Combo	
16	1	J1	8-pin through hole pin header, pitch 100 mils, pin size 0.63x0.63mm, length ~5.85mm (example mating part: Samtec: SSQ-107-01-S-S)	
17	1	J2	7-pin through hole pin header, pitch 100 mils, pin size 0.63x0.63mm, length ~5.85mm (example mating part: Samtec: SSQ-108-01-S-S)	
18	1	J3	3-pin through hole pin header, pitch 100 mils, pin size 0.63x0.63mm, length ~5.85mm (example mating part: Samtec: SSQ-108-01-S-S)	

Detailed pictures of SCC1300-D0X PWB are presented in following pages:

- PWB layout
- Assembly drawings
- Circuit diagram

PCB Mechanical dimensions:

- Length 42.9 mm
- Width 27.4 mm
- Height 15.1 mm (incl. components and pin header)

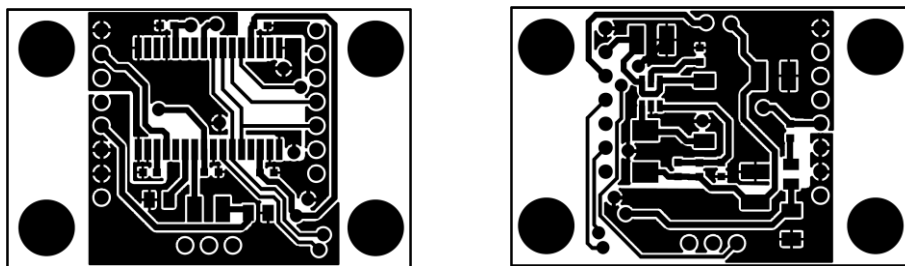


Figure 2. TOP (left) and BOTTOM (right) layout of SCC1300-D0X PWB (aspect ratio not 1:1).

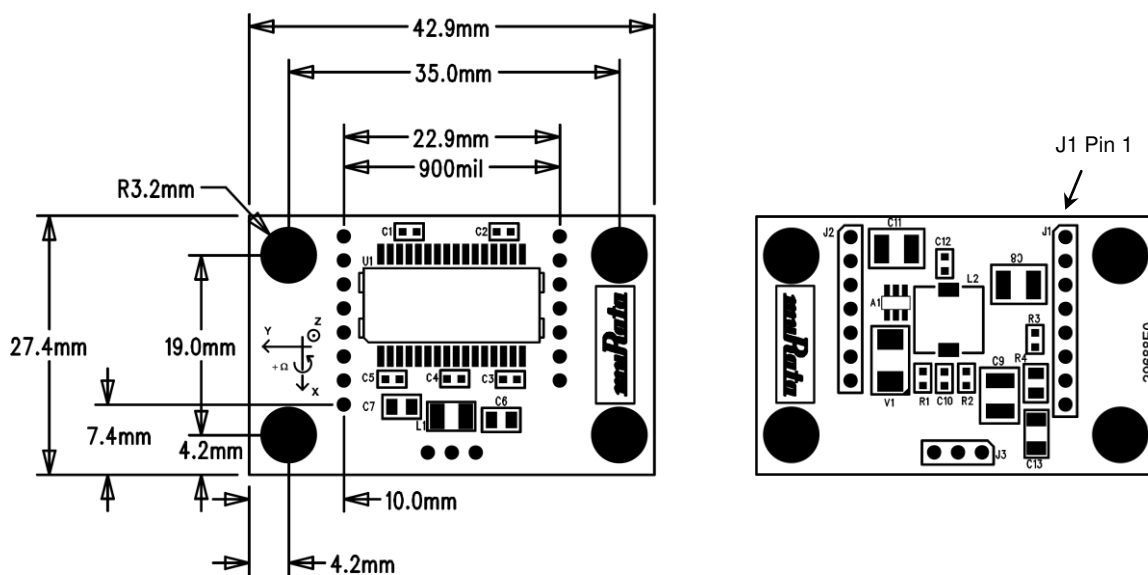


Figure 3. TOP (left) and BOTTOM (right) view assembly drawings for SCC1300-D0X PWB (aspect ratio not 1:1).



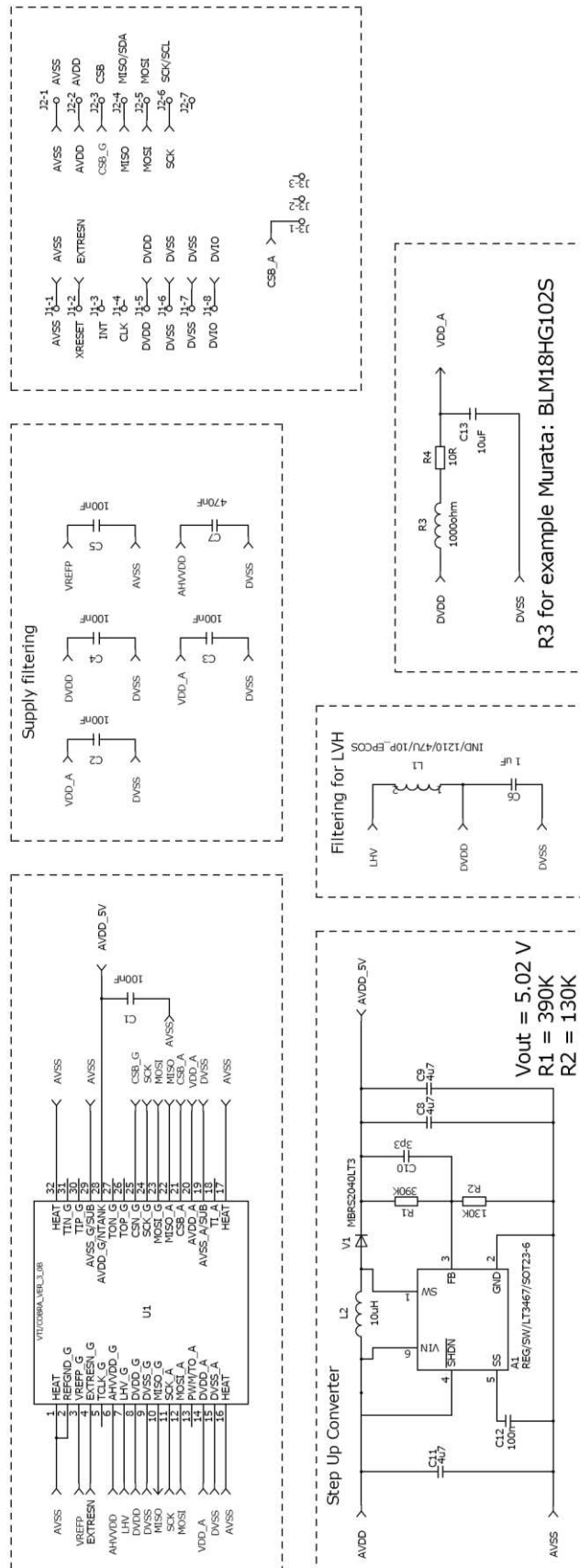


Figure 4. SCC1300-D0X PWB circuit diagram.