



Chipsmall Limited consists of a professional team with an average of over 10 year of expertise in the distribution of electronic components. Based in Hongkong, we have already established firm and mutual-benefit business relationships with customers from,Europe,America and south Asia,supplying obsolete and hard-to-find components to meet their specific needs.

With the principle of "Quality Parts,Customers Priority,Honest Operation,and Considerate Service",our business mainly focus on the distribution of electronic components. Line cards we deal with include Microchip,ALPS,ROHM,Xilinx,Pulse,ON,Everlight and Freescale. Main products comprise IC,Modules,Potentiometer,IC Socket,Relay,Connector.Our parts cover such applications as commercial,industrial, and automotives areas.

We are looking forward to setting up business relationship with you and hope to provide you with the best service and solution. Let us make a better world for our industry!



Contact us

Tel: +86-755-8981 8866 Fax: +86-755-8427 6832

Email & Skype: info@chipsmall.com Web: www.chipsmall.com

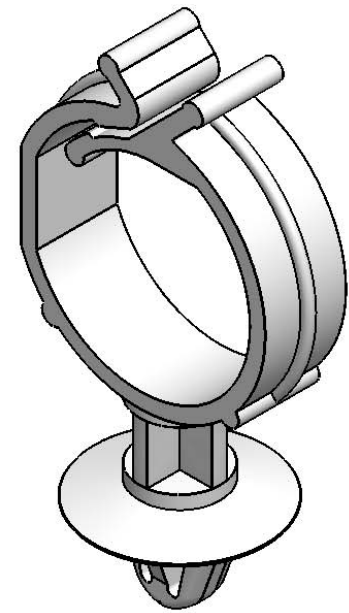
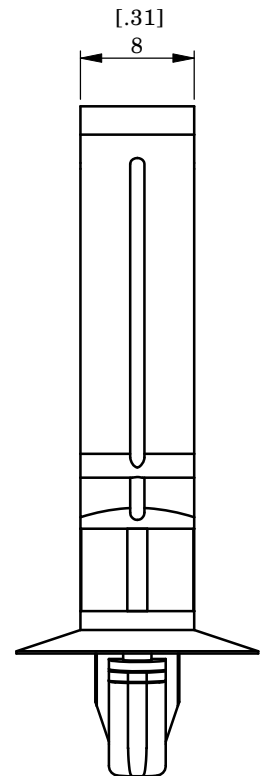
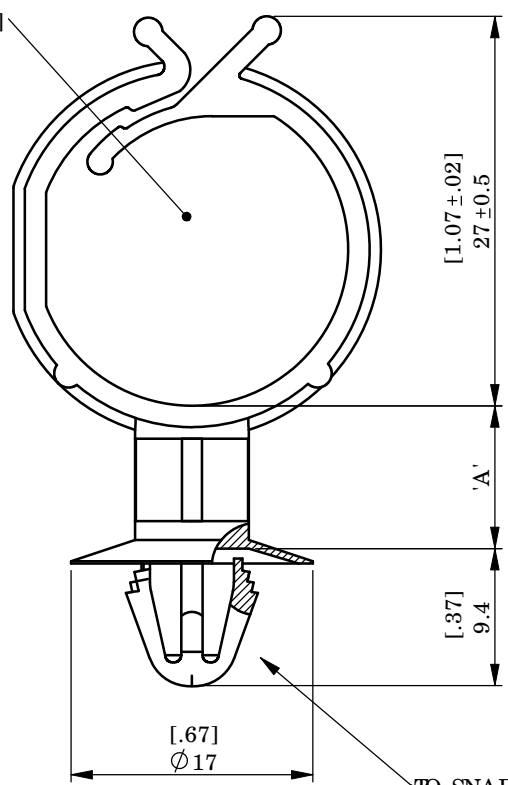
Address: A1208, Overseas Decoration Building, #122 Zhenhua RD., Futian, Shenzhen, China



A B C D E F

REV.	MODIFICATION.	DATE	DRN
01	PRODUCTION RELEASE	10/07/08	OW
02	CO-2010413	30/09/08	OW
03	CO-2010451	22/10/08	TC

MAX CABLE BUNDLE DIA 22 [.87]



- NOTES:**
- PARTS AVAILABLE IN NYLON 6/6 HEAT STABILISED MATERIAL (RMS-109) BY SPECIAL ORDER.
 - PARTS AVAILABLE IN COLOUR BLACK BY SPECIAL ORDER, ADD 'BK' TO THE END OF THE PART NUMBER. E.G. SCCB-1-19BK

TO SNAP LOCK INTO A Ø 6.5 - 7 [.256-.276] HOLE, INTO A 0.6 - 2 [.024-.079] THICK PANEL.

NYLON 6/6 UL94 V0 (RMS-19)	NYLON 6/6 UL94 V2 (RMS-01)	'A'
SCCB-6-19	SCCB-6-01	30 [1.18]
SCCB-5-19	SCCB-5-01	12 [.47]
SCCB-4-19	SCCB-4-01	10 [.39]
SCCB-3-19	SCCB-3-01	8 [.32]
SCCB-2-19	SCCB-2-01	6 [.24]
SCCB-1-19	SCCB-1-01	4 [.16]

INFORMATION CONTAINED IN THIS DOCUMENT IS CONFIDENTIAL TO RICHCO INTERNATIONAL Co., Ltd. AND MAY NOT BE DISCLOSED OR REPRODUCED IN WHOLE OR PART WITHOUT THEIR WRITTEN CONSENT.

Richco®

MERIC PRIMARY UNITS: mm
 IMPERIAL SECONDARY UNITS: (inches)
 GENERAL TOLERANCES ± 0.25 (0.010)
 UNLESS OTHERWISE STATED
 1 DECIMAL PLACE ±
 2 DECIMAL PLACES ±
 ANGULAR ± 1°

THIRD ANGLE

MATERIAL: SEE TABLE COLOUR: NATURAL

DESCRIPTION: STANDOFF CABLE CLIP PART No: SEE TABLE

DRG No: 08-061 NPR No: 2007-435 Mass: (g) N/A SHEET SIZE A4

DRN: OW DATE: 03/12/07 CHKD: SF DATE: 03/12/07 SCALE: NTIS SHEET No: 1 OF 1

A B C D E F