



Chipsmall Limited consists of a professional team with an average of over 10 year of expertise in the distribution of electronic components. Based in Hongkong, we have already established firm and mutual-benefit business relationships with customers from,Europe,America and south Asia,supplying obsolete and hard-to-find components to meet their specific needs.

With the principle of “Quality Parts,Customers Priority,Honest Operation,and Considerate Service”,our business mainly focus on the distribution of electronic components. Line cards we deal with include Microchip,ALPS,ROHM,Xilinx,Pulse,ON,Everlight and Freescale. Main products comprise IC,Modules,Potentiometer,IC Socket,Relay,Connector.Our parts cover such applications as commercial,industrial, and automotives areas.

We are looking forward to setting up business relationship with you and hope to provide you with the best service and solution. Let us make a better world for our industry!



Contact us

Tel: +86-755-8981 8866 Fax: +86-755-8427 6832

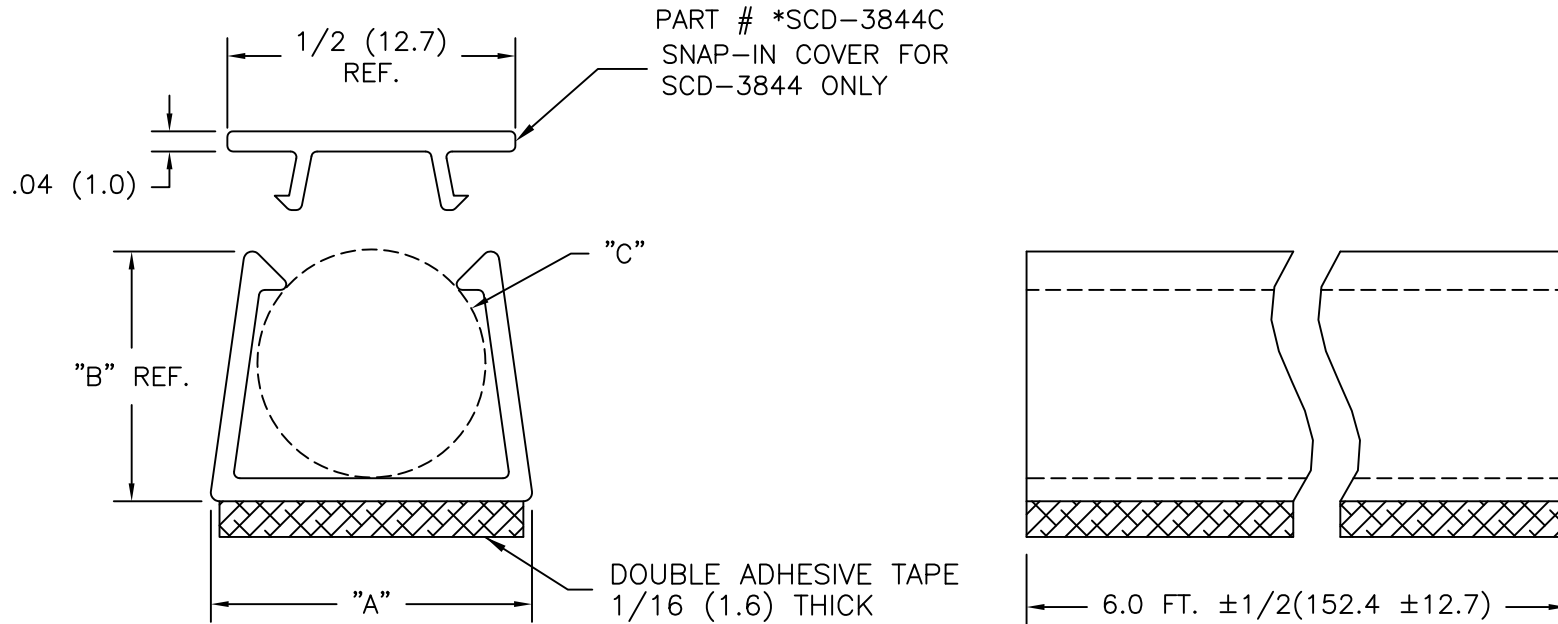
Email & Skype: info@chipsmall.com Web: www.chipsmall.com

Address: A1208, Overseas Decoration Building, #122 Zhenhua RD., Futian, Shenzhen, China



PART NO.	"A"	"B" REF.	"C" HOLDING DIA.	CABLE RECOMMENDATIONS	
				COAX	COMPUTER
SCD-1521	.30(7.6)	.25(6.4)	.156-.218(4.0-5.5)	RG58	
SCD-2228	.36(9.1)	.29(6.6)	.218-.280(4.0-7.1)	RG59,62,6	9 LINE
*SCD-2838	.47(11.9)	.38(9.8)	.280-.375(7.1-9.5)	TWINAX	9-15 LINE
*SCD-3844	.55(14.0)	.43(10.9)	.375-.438(9.5-11.1)		25 LINE

*PARTS AVAILABLE BY SPECIAL ORDER ONLY



NOTES:

1. MATERIAL: RIGID PVC (RMS-32).
2. COLOR: COMPUTER TAN.
3. ACRYLIC ADHESIVE TAPE (RMS-15), WHITE LINER.
4. MAX. OPR. TEMP.: 120° F.
5. AVAILABLE IN CUSTOM CUT LENGTH UPON REQUEST.
6. PACKAGING: 10 PIECES, 6 FT. LONG.

G	SEE CO 200604 FOR CHANGES	SK 12.01.10	TITLE: SINGLE CABLE DUCT					DWG IN INCHES	
F	RMS-32 WAS RMS-04 (ECN #465)	SM 09.19.02	FILE # SCD			DWN: R.S.		APP:	
E	ADDED RMS-04 TO MAT'L NOTE	SM 08.05.02	MAT'L: SEE NOTES			DT: 05-03-93		DT:	
D	ADDED NOTE 6.	SM 03.20.02	RE: RICHCO, INC.			RICHCO INC.		PART #	
C	ADDED NOTE 3.	SM 06.29.01	TOLERANCES UNLESS NOTED .XX=±.020 .XXX=±.015 FRAC=±1/32 ANG=±1°			PO BOX 804238, CHICAGO, 60680		SEE TABLE	
B	FILE # WAS 05530	RG11/17/00				(773) 539-4060		PRINT TYPE	
A	DIM DOUBLE ADHESIVE TAPE WAS NOTE 5	PB 102794							
REV	DESCRIPTION	ENGR DATE							