



Chipsmall Limited consists of a professional team with an average of over 10 year of expertise in the distribution of electronic components. Based in Hongkong, we have already established firm and mutual-benefit business relationships with customers from,Europe,America and south Asia,supplying obsolete and hard-to-find components to meet their specific needs.

With the principle of "Quality Parts,Customers Priority,Honest Operation,and Considerate Service",our business mainly focus on the distribution of electronic components. Line cards we deal with include Microchip,ALPS,ROHM,Xilinx,Pulse,ON,Everlight and Freescale. Main products comprise IC,Modules,Potentiometer,IC Socket,Relay,Connector.Our parts cover such applications as commercial,industrial, and automotives areas.

We are looking forward to setting up business relationship with you and hope to provide you with the best service and solution. Let us make a better world for our industry!



Contact us

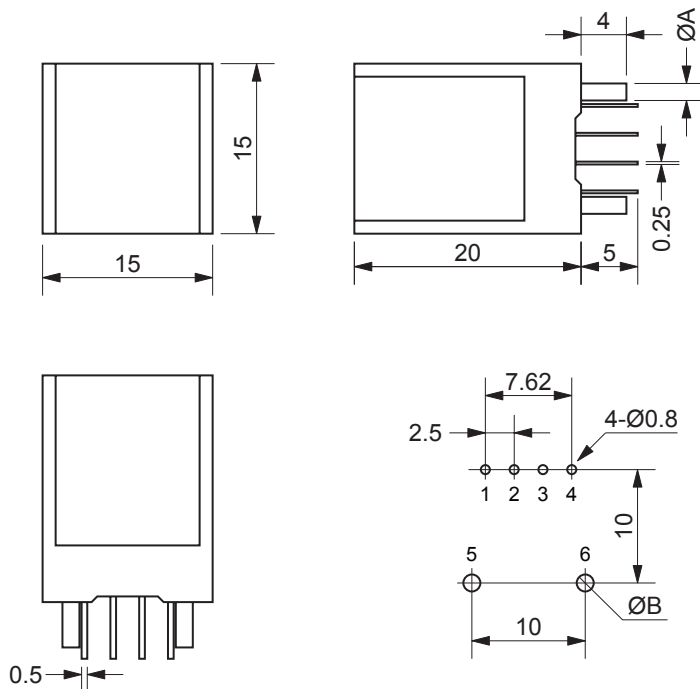
Tel: +86-755-8981 8866 Fax: +86-755-8427 6832

Email & Skype: info@chipsmall.com Web: www.chipsmall.com

Address: A1208, Overseas Decoration Building, #122 Zhenhua RD., Futian, Shenzhen, China



Characteristics of SCD15PSN



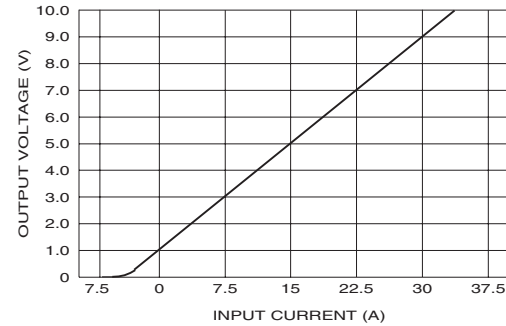
Pin Assignments

Pin#	1	+12V
	2	NC
	3	Output
	4	0V
	5	Input (+)
	6	Input (-)

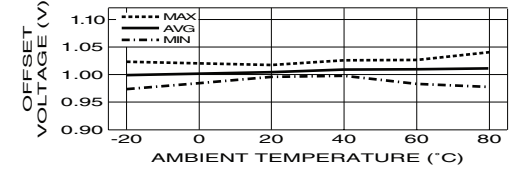
Mounting Hole Dimensions

Model	ØA	ØB
SCD03PSN	0.7	1.2
SCD05PSN	1.0	1.5
SCD10PSN	1.2	1.7
SCD15PSN	1.5	2.0
SCD20PSN	1.8	2.3

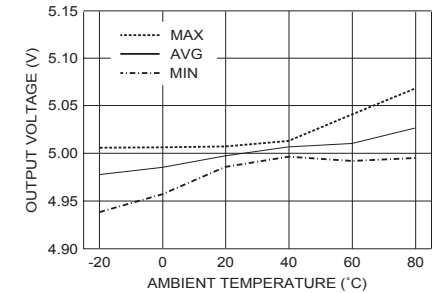
Output Voltage vs Input Current



Offset Voltage vs Temperature



Output Voltage vs Temperature



Ordering Information

SCD□□PSN

Current Rating:
 03: 3A
 05: 5A
 10: 10A
 15: 15A
 20: 20A

Input Voltage:
 A: ±15VDC
 B: ±12VDC
 S: +12VDC
 T: ±5VDC
 U: +5VDC

Input Current Polarity:
 N: +(DC only)
 R: ± (bipolar)

SPECIFICATIONS

(Vcc = +12V, RL = 10kΩ, Ta = 25°C)

Model	SCD03PSN	SCD05PSN	SCD10PSN	SCD15PSN	SCD20PSN
Rated Current	+3A	+5A	+10A	+15A	+20A
Linearity Range	+6A	+10A	+20A	+30A	+40A
Output Voltage	5V ±0.8% @ Rated Current				
Zero Current Offset Voltage	1.0V ±30mV max. (after demagnetization)				
Output Voltage Linearity	± 0.5 % @ rated current				
Supply Voltage	+12V ±5%				
Max Current Consumption	+25mA max.				
Response	3 μS typ. @ 50 Amp/Turns/μS				
Output V Temp Char	± 0.1%/°C max. @ rated current				
Zero Current Offset V Temp Char	± 1.5mV/°C max.				
Hysteresis	15mV max. @ rated current to 0A				
Primary Overcurrent	10X rated current, 50 mS, no damage				
Withstand Voltage	2000 VAC, 50/60Hz, 1 minute between primary coil & terminal				
Insulation Resistance	500 VDC between primary coil & terminal				
Operating Temp	-10° to +75° C				
Storage Temp	-30 to +90°C				



CUI INC

20050 SW 112th Ave.
 Tualatin, OR 97062
 Phone: 503-612-2300
 800-275-4899
 Fax: 503-612-2383
 Website: www.cui.com

TITLE: current sensor	REV: A
PART NO. SCDXXPSN	UNITS: MM
DRAWN BY: JRH	APPROVED BY:
SCALE:	

REV.	DESCRIPTION	DATE
A	NEW DRAWING	05/15/2009