



Chipsmall Limited consists of a professional team with an average of over 10 year of expertise in the distribution of electronic components. Based in Hongkong, we have already established firm and mutual-benefit business relationships with customers from,Europe,America and south Asia,supplying obsolete and hard-to-find components to meet their specific needs.

With the principle of “Quality Parts,Customers Priority,Honest Operation,and Considerate Service”,our business mainly focus on the distribution of electronic components. Line cards we deal with include Microchip,ALPS,ROHM,Xilinx,Pulse,ON,Everlight and Freescale. Main products comprise IC,Modules,Potentiometer,IC Socket,Relay,Connector.Our parts cover such applications as commercial,industrial, and automotives areas.

We are looking forward to setting up business relationship with you and hope to provide you with the best service and solution. Let us make a better world for our industry!



## Contact us

Tel: +86-755-8981 8866 Fax: +86-755-8427 6832

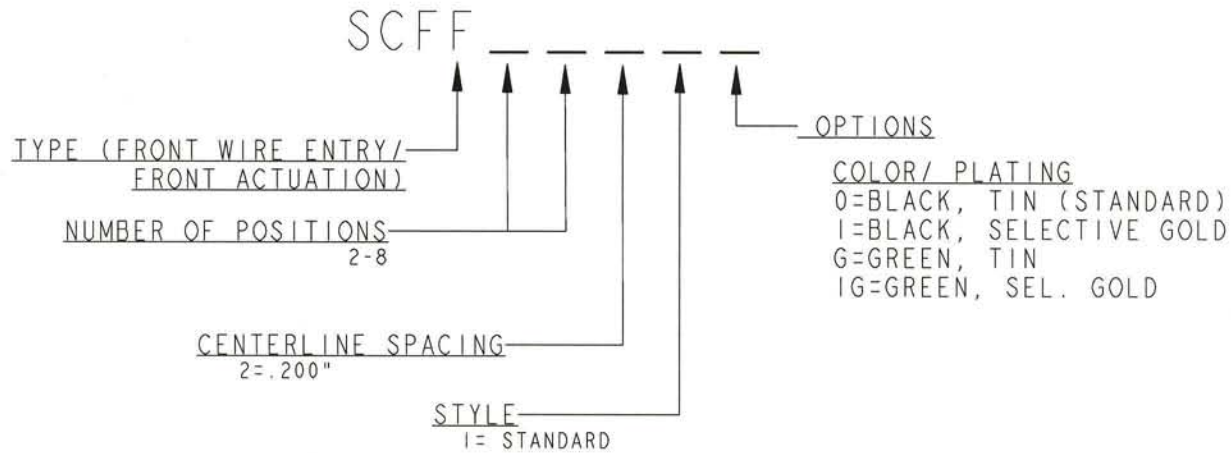
Email & Skype: info@chipsmall.com Web: www.chipsmall.com

Address: A1208, Overseas Decoration Building, #122 Zhenhua RD., Futian, Shenzhen, China



REV	ECN	APP'D
-	4503	10 10/31/01
A	5742	PN 12/28/05

## SCFF SERIES PART NUMBERING SCHEME



**RATINGS**

CURRENT - 15 A  
VOLTAGE - 300V  
U.L. FILE NO. PENDING



**RATINGS**

CURRENT - 15 A  
VOLTAGE - 300 V  
CSA FILE NO. PENDING

DIN VDE 0627:1986  
DIN VDE 0110-1:1989  
EN 60947-1:1991  
EN 60947-7-1:1992

CURRENT -15 A  
VOLTAGE - 300 V  
TUV FILE NO. PENDING

CONSULT PCD FOR PART NO. AND  
AVAILABILITY OF FOLLOWING OPTIONS:  
\*CUSTOM COLORS            \*CUSTOM KEYING  
\*CUSTOM MARKING        \*SELECTIVE CONTACT LOADING  
\*NUMBER OF POSITIONS 9-24

**INSTALLATION RECOMMENDATIONS:**

WIRE RANGE: AWG #12-28, STRANDED OR SOLID,  
WIRE STRIP LENGTH: .250" (6,35mm)

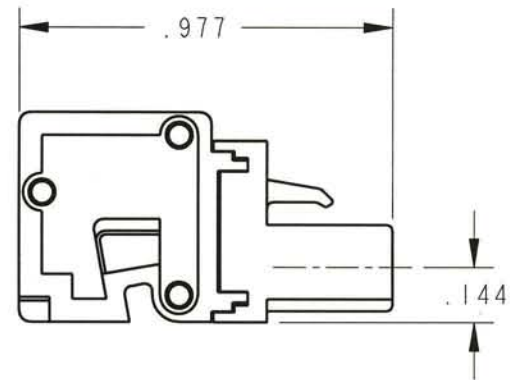
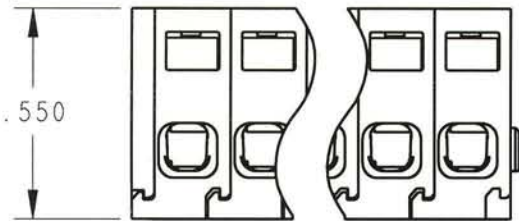
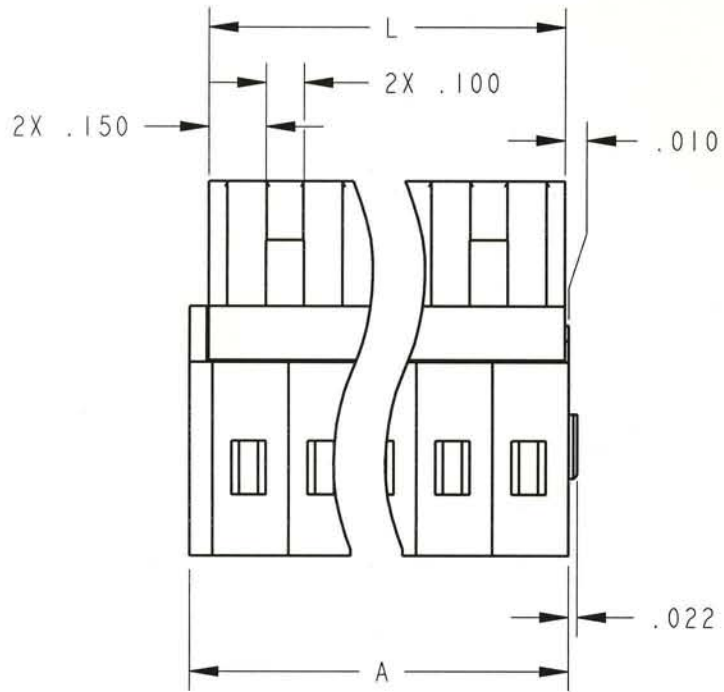
**MATERIALS:**

HOUSING: PPO, UL 94 V-0  
CONTACT: PHOSPHOR BRONZE, TIN FINISH  
SPRING CLAMP: STAINLESS STEEL

MAX OPERATING TEMP: 105°C

<b>DIMENSIONS</b> ANSI Y14.5M UNITS: INCHES Pro/E FILE	<b>TOLERANCES</b> .XX ±0.01 .XXX ±0.005 ANGLES ±2.0°	<b>PROJECTION</b> 	<h1>Amphenol Pcd</h1>		<b>TITLE</b> <h1>SCF SERIES PLUGGABLE TERMINAL BLOCK</h1>		
			<b>ENGR</b> C. LUSHUA            7/17/01				
<b>ORIGINAL STAMPED IN RED</b>	<i>THIS DOCUMENT CONTAINS PROPRIETARY INFORMATION WHICH IS THE CONFIDENTIAL PROPERTY OF AMPHENOL PCD, INC. PEABODY, MA, USA</i>		<b>CHKD</b> A. PATRIE            10/30/01	<b>SIZE</b> <b>A</b>	<b>DWG NO.</b> <b>SCFF02210</b>	<b>REV</b> <b>A</b>	
			<b>APPD</b> I. QUINN            10/31/01	<b>CODE:</b> 58982	<b>SCALE:</b> NONE	<b>SHEET</b> 1 OF 2	

L=NUM OF POS X CL SPACING  
 A=NUM OF POS X CL SPACING+.060



SIZE	DWG NO.	REV
A	SCFF02210	A
CODE: 58982	SCALE: NONE	SHEET 2 OF 2