



Chipsmall Limited consists of a professional team with an average of over 10 year of expertise in the distribution of electronic components. Based in Hongkong, we have already established firm and mutual-benefit business relationships with customers from,Europe,America and south Asia,supplying obsolete and hard-to-find components to meet their specific needs.

With the principle of “Quality Parts,Customers Priority,Honest Operation,and Considerate Service”,our business mainly focus on the distribution of electronic components. Line cards we deal with include Microchip,ALPS,ROHM,Xilinx,Pulse,ON,Everlight and Freescale. Main products comprise IC,Modules,Potentiometer,IC Socket,Relay,Connector.Our parts cover such applications as commercial,industrial, and automotives areas.

We are looking forward to setting up business relationship with you and hope to provide you with the best service and solution. Let us make a better world for our industry!



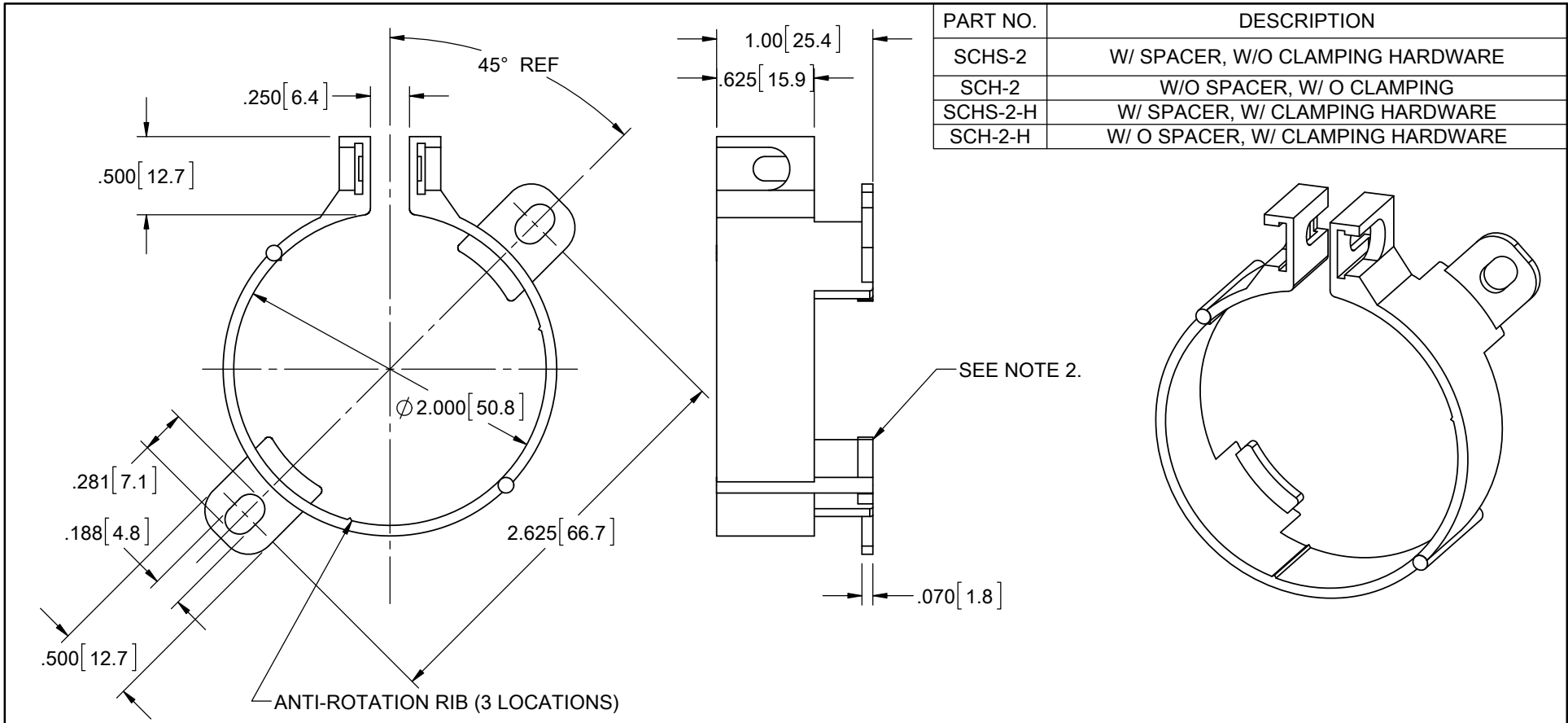
Contact us

Tel: +86-755-8981 8866 Fax: +86-755-8427 6832

Email & Skype: info@chipsmall.com Web: www.chipsmall.com

Address: A1208, Overseas Decoration Building, #122 Zhenhua RD., Futian, Shenzhen, China





PART NO.	DESCRIPTION
SCHS-2	W/ SPACER, W/O CLAMPING HARDWARE
SCH-2	W/O SPACER, W/ O CLAMPING
SCHS-2-H	W/ SPACER, W/ CLAMPING HARDWARE
SCH-2-H	W/ O SPACER, W/ CLAMPING HARDWARE

- NOTES:
- MATERIAL: GLASS-FILLED NYLON UL94 HB (RMS-18). COLOR: BLACK
 - OPTIONAL INSIDE SPACER TO ELEVATE CAPACITOR 3/32 [2.4] FROM CHASSIS
 - CLAMPING HARDWARE:
 - SCREW (S6B) - STAINLESS STEEL 1018 (RMS-357)
PLATING: ZINC PLATED (RMS-358)
 - QUICK NUT (QN-6) - SPRING STEEL C 1050 (RMS-327)
COATING: BLACK PHOSPHATE (RMS-356)

TITLE: STANDING CAPACITOR HOLDER				UNITS: IN [mm]	
CREATED USING SOLIDWORKS	FILE #: SCH	DWN: SK	APP: SK	FINAL	
TOLERANCES UNLESS NOTED	SHEET: 1 OF 1	SHEET SIZE: A	DT: 03/08/2012	CHKD: DZ	PART #
XX=±.010 .XXX=±.005 FRAC.=±1/64 ANG.=±1°	RE: RICHCO, INC.	RICHCO, INC. WWW.RICHCO-INC.COM		SEE TABLE	PRINT TYPE CA

REV.	DESCRIPTION	ENGR.	DATE
G	REDRAWN, SEE CO 200765 FOR CHANGES	SK	03/09/2012
-	SEE ENGINEERING FOR REV A TO F	---	----