



Chipsmall Limited consists of a professional team with an average of over 10 year of expertise in the distribution of electronic components. Based in Hongkong, we have already established firm and mutual-benefit business relationships with customers from,Europe,America and south Asia,supplying obsolete and hard-to-find components to meet their specific needs.

With the principle of "Quality Parts,Customers Priority,Honest Operation,and Considerate Service",our business mainly focus on the distribution of electronic components. Line cards we deal with include Microchip,ALPS,ROHM,Xilinx,Pulse,ON,Everlight and Freescale. Main products comprise IC,Modules,Potentiometer,IC Socket,Relay,Connector.Our parts cover such applications as commercial,industrial, and automotives areas.

We are looking forward to setting up business relationship with you and hope to provide you with the best service and solution. Let us make a better world for our industry!



Contact us

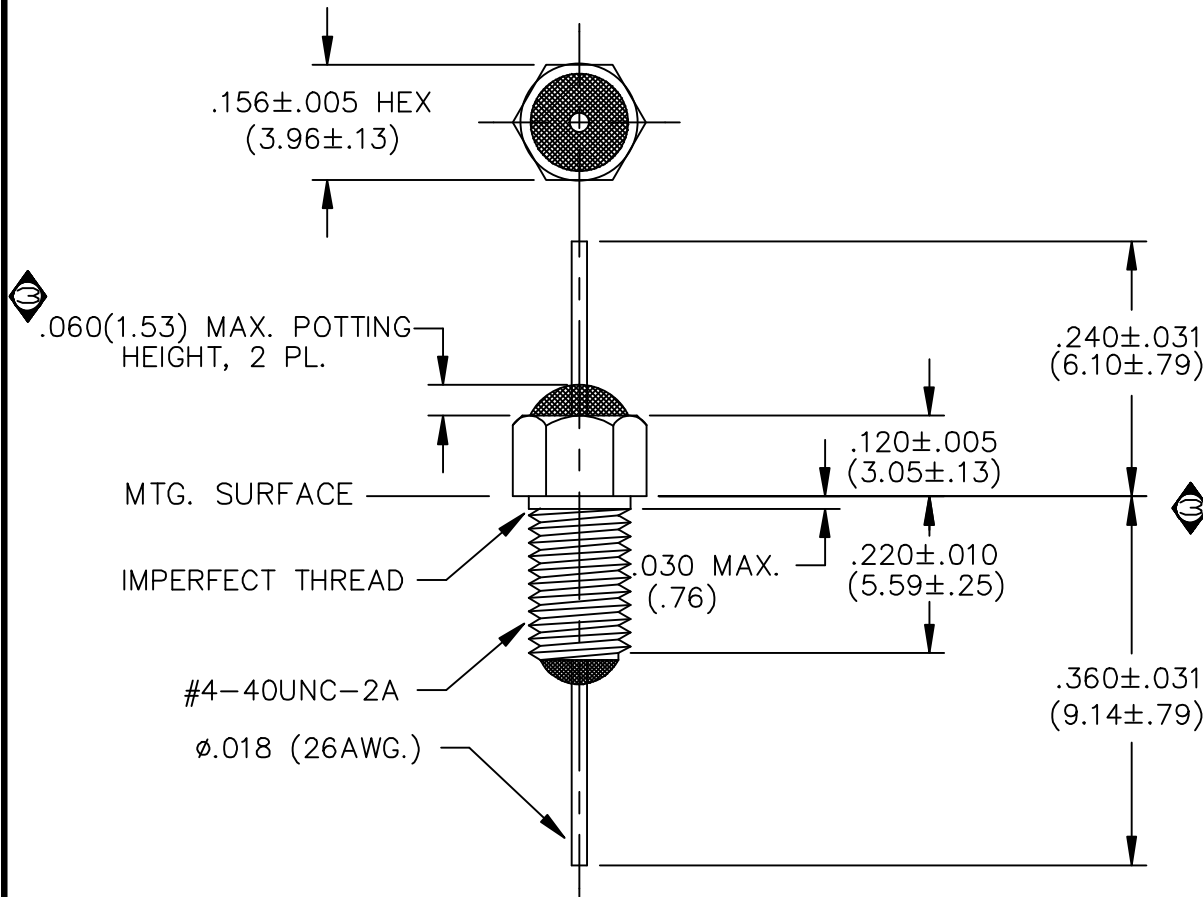
Tel: +86-755-8981 8866 Fax: +86-755-8427 6832

Email & Skype: info@chipsmall.com Web: www.chipsmall.com

Address: A1208, Overseas Decoration Building, #122 Zhenhua RD., Futian, Shenzhen, China

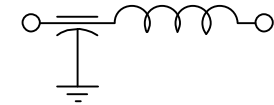


NOTES:
1. HARDWARE IS INCLUDED.



LEAD FINISH:	SOLDER
BUSHING FINISH:	SILVER
CAPACITANCE	.027 μ F GMV
TEMP. RANGE	-55°C TO 125°C
CURRENT	10 AMP MAX.
WORKING VOLTAGE	85°C N/A VDC MAX. 125°C 100 VDC MAX.
D.C. RESISTANCE	.01ohms MAX.
MIN. I.L. PER MIL-STD-220 AT 25°C NO LOAD	
FREQ. MHz	I.L. (db)
1	10
10	30
100	50
200	--
1 GHz	70
10 GHz	70

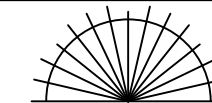
SCHEMATIC



MARKING:

PART: S000
BAG:
SCI-3112-000
DATE CODE
LOT NO.
QTY/BAG (200 MAX.)

03	REV. NO.	TOLERANCES UNLESS OTHERWISE SPECIFIED
02	CHANGE NOTICE	Fractions \pm 1/64
CN. 203433		Dec. .xx \pm
CN. 169173		Dec. .xxx \pm .010
		Angles \pm 0° 30'
		CODE IDENT. NO. DLSP2



SPECTRUM CONTROL INC.

ERIE, FAIRVIEW
PENNSYLVANIA

Dwn. KAUFFMAN

Description L
RESIN SEAL FILTER

Ckd. 8/28/01

Apvd.

SCI-3112-000

Scale NONE