



Chipsmall Limited consists of a professional team with an average of over 10 year of expertise in the distribution of electronic components. Based in Hongkong, we have already established firm and mutual-benefit business relationships with customers from,Europe,America and south Asia,supplying obsolete and hard-to-find components to meet their specific needs.

With the principle of "Quality Parts,Customers Priority,Honest Operation,and Considerate Service",our business mainly focus on the distribution of electronic components. Line cards we deal with include Microchip,ALPS,ROHM,Xilinx,Pulse,ON,Everlight and Freescale. Main products comprise IC,Modules,Potentiometer,IC Socket,Relay,Connector.Our parts cover such applications as commercial,industrial, and automotives areas.

We are looking forward to setting up business relationship with you and hope to provide you with the best service and solution. Let us make a better world for our industry!



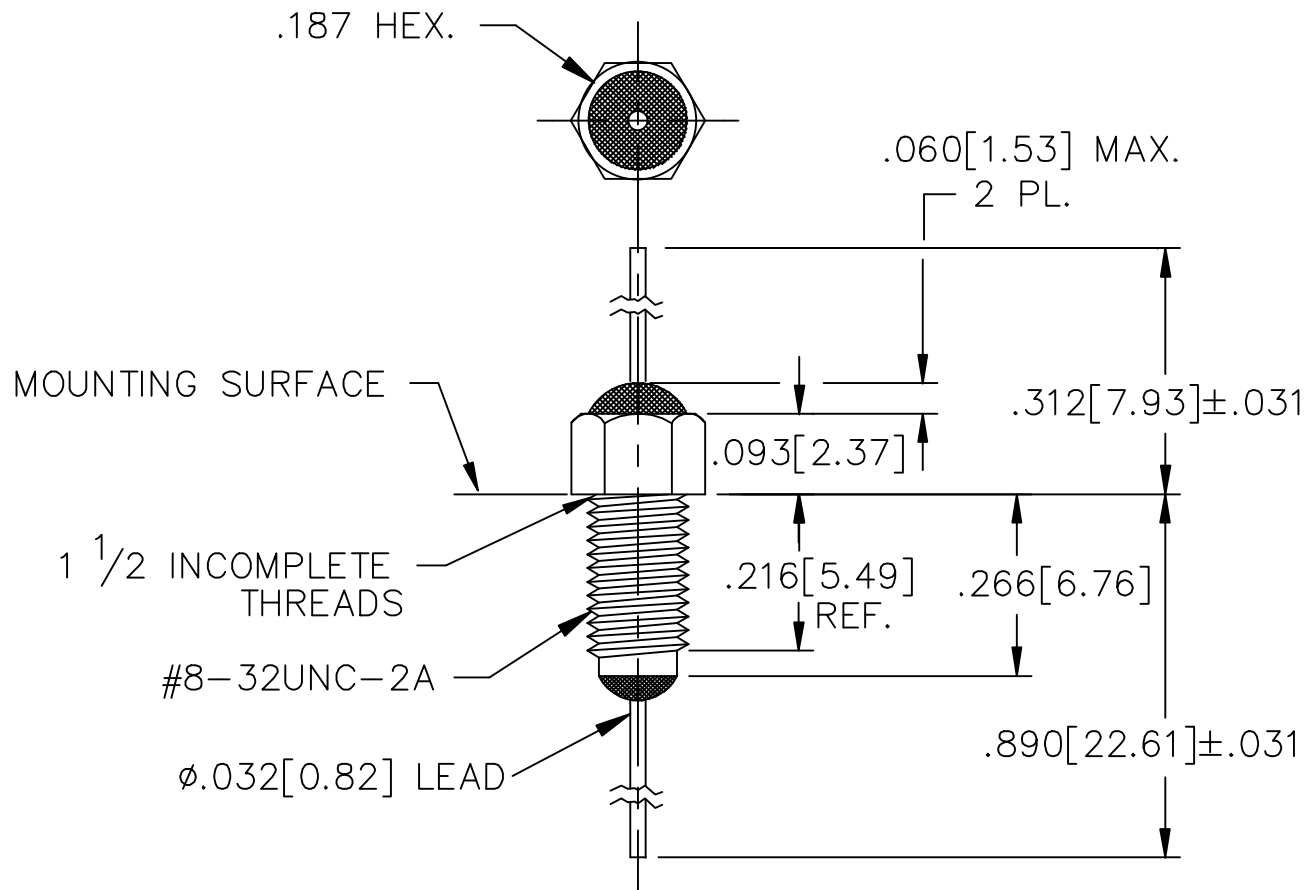
Contact us

Tel: +86-755-8981 8866 Fax: +86-755-8427 6832

Email & Skype: info@chipsmall.com Web: www.chipsmall.com

Address: A1208, Overseas Decoration Building, #122 Zhenhua RD., Futian, Shenzhen, China





- NOTES:
 1. SUGGESTED MOUNTING HOLE = $\phi.177$
 2. HARDWARE IS INCLUDED

LEAD FINISH:	SOLDER
BUSHING FINISH:	SILVER
CAPACITANCE	2000pF MIN
TEMP. RANGE	-55°C TO 125°C
CURRENT	10 AMP MAX.
WORKING VOLTAGE	125°C 115 VAC MAX. 125°C 200 VDC MAX.
D.C. RESISTANCE	.01ohms MAX.

NO LOAD INSERTION LOSS:

FREQ	IL
10MHz	8dB
100MHz	48dB
1GHz	70dB

SCHEMATIC

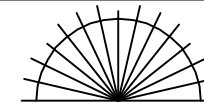


MARKING:

PART: S000 (FAIRVIEW)
 S000M (MEXICO)
 PACKAGE: SCI-3223-000
 DATE CODE
 QTY/BAG (200 MAX.)



8	7	6	5	4	3	2	REV. NO.	TOLERANCES UNLESS OTHERWISE SPECIFIED
CN 212860	CN 211467	CN 201766	CN 188080	CN 184923 ADDED METRIC DIM.	CN 184189	CN 182598	REDRAWN	Fractions \pm 1/64
							CHANGE NOTICE	Dec. .xx \pm
								Dec. .xxx \pm .010
								Angles \pm 0° 30'
								CODE IDENT. NO. QLSP2



SPECTRUM CONTROL INC.

ERIE, FAIRVIEW
 PENNSYLVANIA

Dwn. SLAGLE	Description Pi
Date 5/21/01	RESIN SEAL FILTER
Engr. T. Taylor	SCI-3223-000
Scale NONE	