



Chipsmall Limited consists of a professional team with an average of over 10 year of expertise in the distribution of electronic components. Based in Hongkong, we have already established firm and mutual-benefit business relationships with customers from,Europe,America and south Asia,supplying obsolete and hard-to-find components to meet their specific needs.

With the principle of "Quality Parts,Customers Priority,Honest Operation,and Considerate Service",our business mainly focus on the distribution of electronic components. Line cards we deal with include Microchip,ALPS,ROHM,Xilinx,Pulse,ON,Everlight and Freescale. Main products comprise IC,Modules,Potentiometer,IC Socket,Relay,Connector.Our parts cover such applications as commercial,industrial, and automotives areas.

We are looking forward to setting up business relationship with you and hope to provide you with the best service and solution. Let us make a better world for our industry!



Contact us

Tel: +86-755-8981 8866 Fax: +86-755-8427 6832

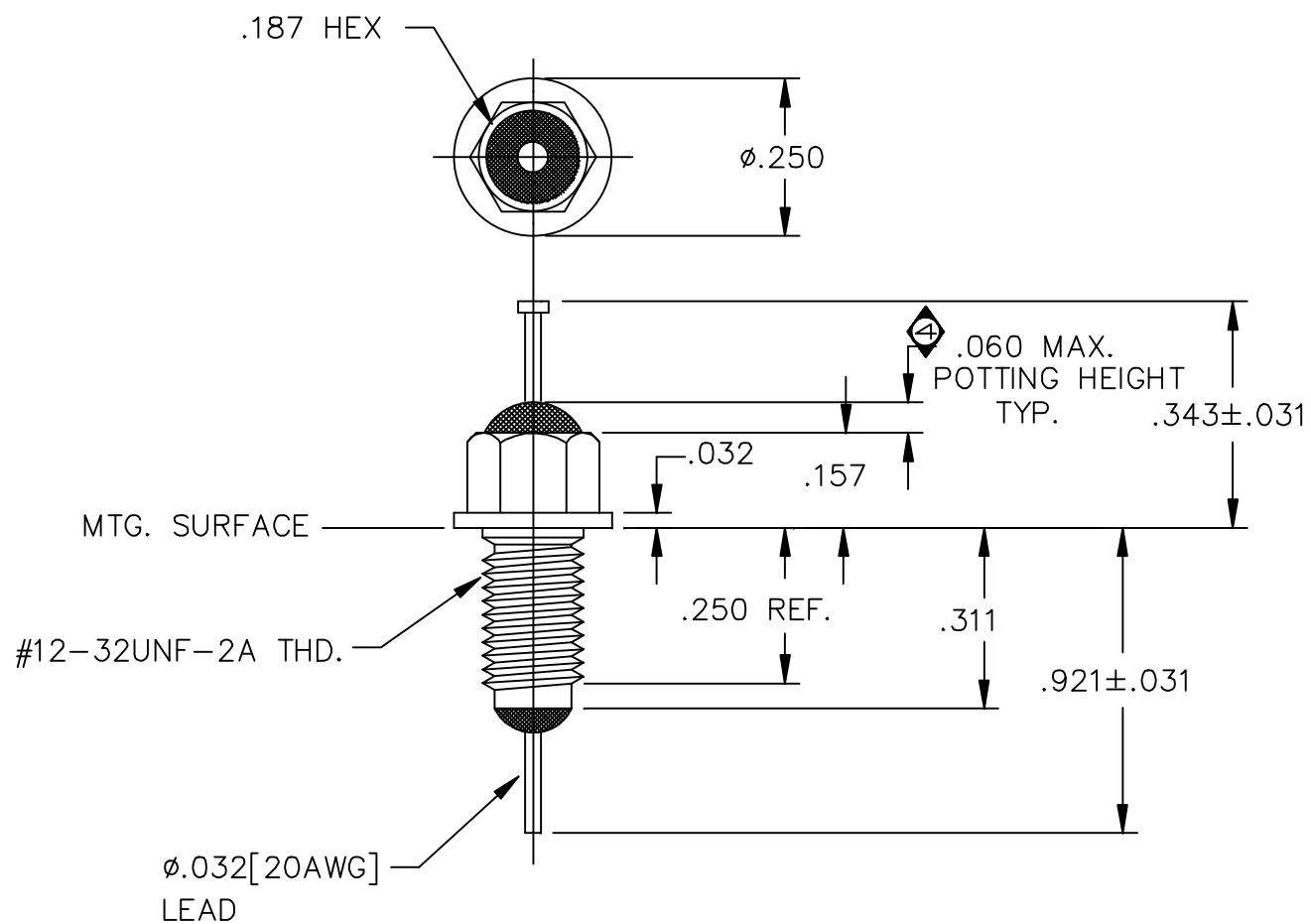
Email & Skype: info@chipsmall.com Web: www.chipsmall.com

Address: A1208, Overseas Decoration Building, #122 Zhenhua RD., Futian, Shenzhen, China

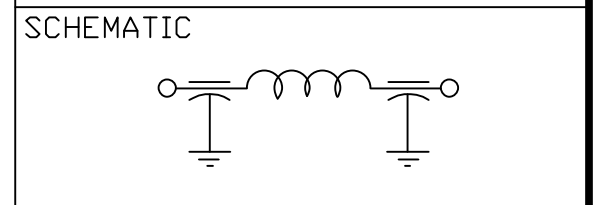


NOTES:

1. MAX. MOUNTING TORQUE = 6 lb-in.
2. HARDWARE IS INCLUDED.



LEAD FINISH	SOLDER
BUSHING FINISH	SILVER
CAPACITANCE	0.012 μ F MIN.
TEMP. RANGE	-55°C TO 125°C
CURRENT	10 AMP MAX.
WORKING VOLTAGE	85°C 200 VDC MAX. 125°C 200 VDC MAX
D.C. RESISTANCE	.01ohms MAX.
MIN. I.L. PER MIL-STD-220 AT 25°C NO LOAD	
FREQ. MHz	I.L. (db)
10	27
30	30
100	70
1 GHz	70
10 GHz	70



MARKING:
 PART: S3323000
 BAG: SCI-3323-000
 DATE CODE
 QTY.

	4	3	2	REV. NO.	TOLERANCES UNLESS OTHERWISE SPECIFIED
	CN 25795-CPD	CN 22021-CPD	CN 183503	CHANGE NOTICE	Fractions ± 1/64
					Dec. .xx±
					Dec. .xxx±.010
					Angles ±0° 30'
					CODE IDENT. NO. 0LSP2

SPECTRUM CONTROL INC.

FAIRVIEW PENNSYLVANIA

Dwn. SLAGLE	Description Pi
Ckd. 2/17/98	RESIN SEAL FILTER
Scale NONE	SCI-3323-000

© THIRD ANGLE PROJECTION

