



Chipsmall Limited consists of a professional team with an average of over 10 year of expertise in the distribution of electronic components. Based in Hongkong, we have already established firm and mutual-benefit business relationships with customers from,Europe,America and south Asia,supplying obsolete and hard-to-find components to meet their specific needs.

With the principle of “Quality Parts,Customers Priority,Honest Operation,and Considerate Service”,our business mainly focus on the distribution of electronic components. Line cards we deal with include Microchip,ALPS,ROHM,Xilinx,Pulse,ON,Everlight and Freescale. Main products comprise IC,Modules,Potentiometer,IC Socket,Relay,Connector.Our parts cover such applications as commercial,industrial, and automotives areas.

We are looking forward to setting up business relationship with you and hope to provide you with the best service and solution. Let us make a better world for our industry!



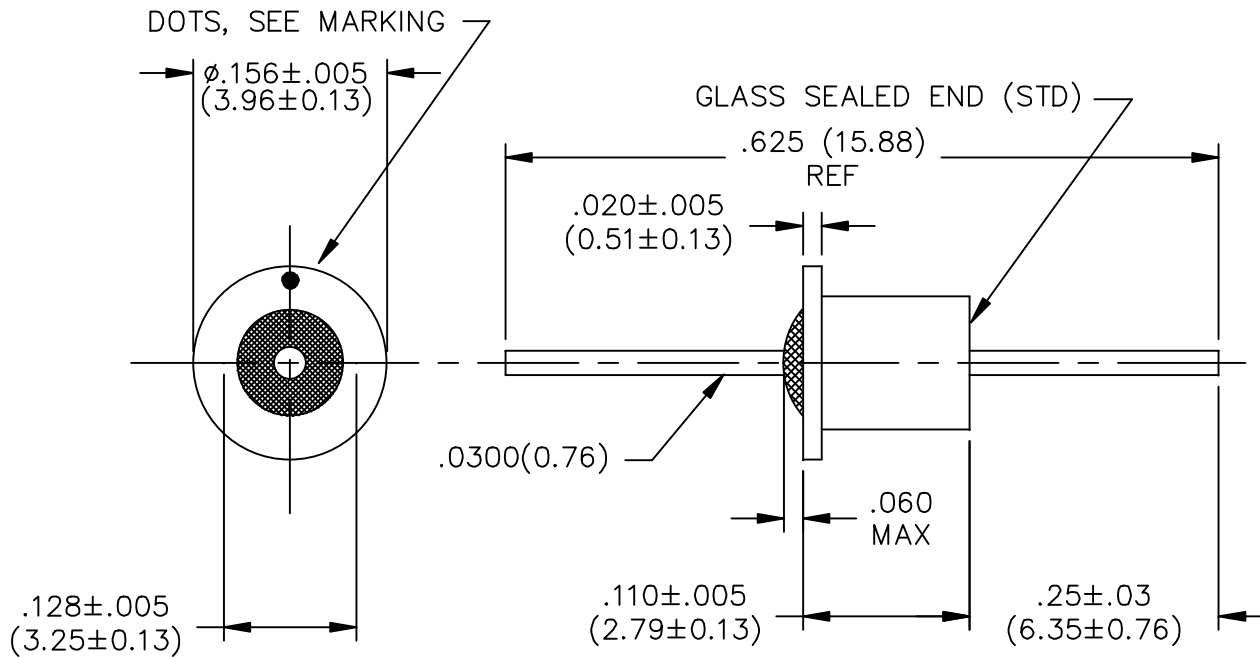
## Contact us

Tel: +86-755-8981 8866 Fax: +86-755-8427 6832

Email & Skype: info@chipsmall.com Web: www.chipsmall.com

Address: A1208, Overseas Decoration Building, #122 Zhenhua RD., Futian, Shenzhen, China



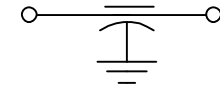


NOTES:  
1. SUGGESTED MOUNTING HOLE =  $\phi$ .130



LEAD FINISH: GOLD PL.	
CASING FINISH: GOLD PL.	
CAPACITANCE	.015 $\mu$ F
TEMP. RANGE	-55°C TO 125°C
CURRENT	5 AMP MAX.
WORKING VOLTAGE	85°C -- VDC MAX. 125°C 50VDC MAX.
D.C. RESISTANCE	.01ohms MAX.
MIN. I.L. PER MIL-STD-220 AT 25°C NO LOAD	
FREQ. MHz	I.L. (db)
1	7
10	25
100	40
1 GHz	60
10 GHz	60

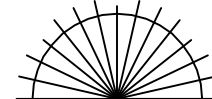
SCHEMATIC



MARKING:

PART: COLOR DOT:  
PINK

BAG: SCI-9900-153  
XXXX DATE CODE  
LOT NO.  
QTY./BAG (200 MAX.)

	8	7	6	5	REV. NO.	TOLERANCES UNLESS OTHERWISE SPECIFIED	 FAIRVIEW PENNSYLVANIA SPECTRUM CONTROL INC.
	CN 61937-ENG	CN. 200291 REDRAWN	CN. 199637	CN. 185018 REDRAWN	CHANGE NOTICE	Fractions $\pm$ 1/64 Dec. .xx $\pm$ Dec. .xxx $\pm$ .005 Angles $\pm$ 0° 30'	
						CODE IDENT. NO. DLSP2	Description FEEDTHRU FILTER Apvd Scale NONE SCI-9900-153