



Chipsmall Limited consists of a professional team with an average of over 10 year of expertise in the distribution of electronic components. Based in Hongkong, we have already established firm and mutual-benefit business relationships with customers from,Europe,America and south Asia,supplying obsolete and hard-to-find components to meet their specific needs.

With the principle of “Quality Parts,Customers Priority,Honest Operation,and Considerate Service”,our business mainly focus on the distribution of electronic components. Line cards we deal with include Microchip,ALPS,ROHM,Xilinx,Pulse,ON,Everlight and Freescale. Main products comprise IC,Modules,Potentiometer,IC Socket,Relay,Connector.Our parts cover such applications as commercial,industrial, and automotives areas.

We are looking forward to setting up business relationship with you and hope to provide you with the best service and solution. Let us make a better world for our industry!



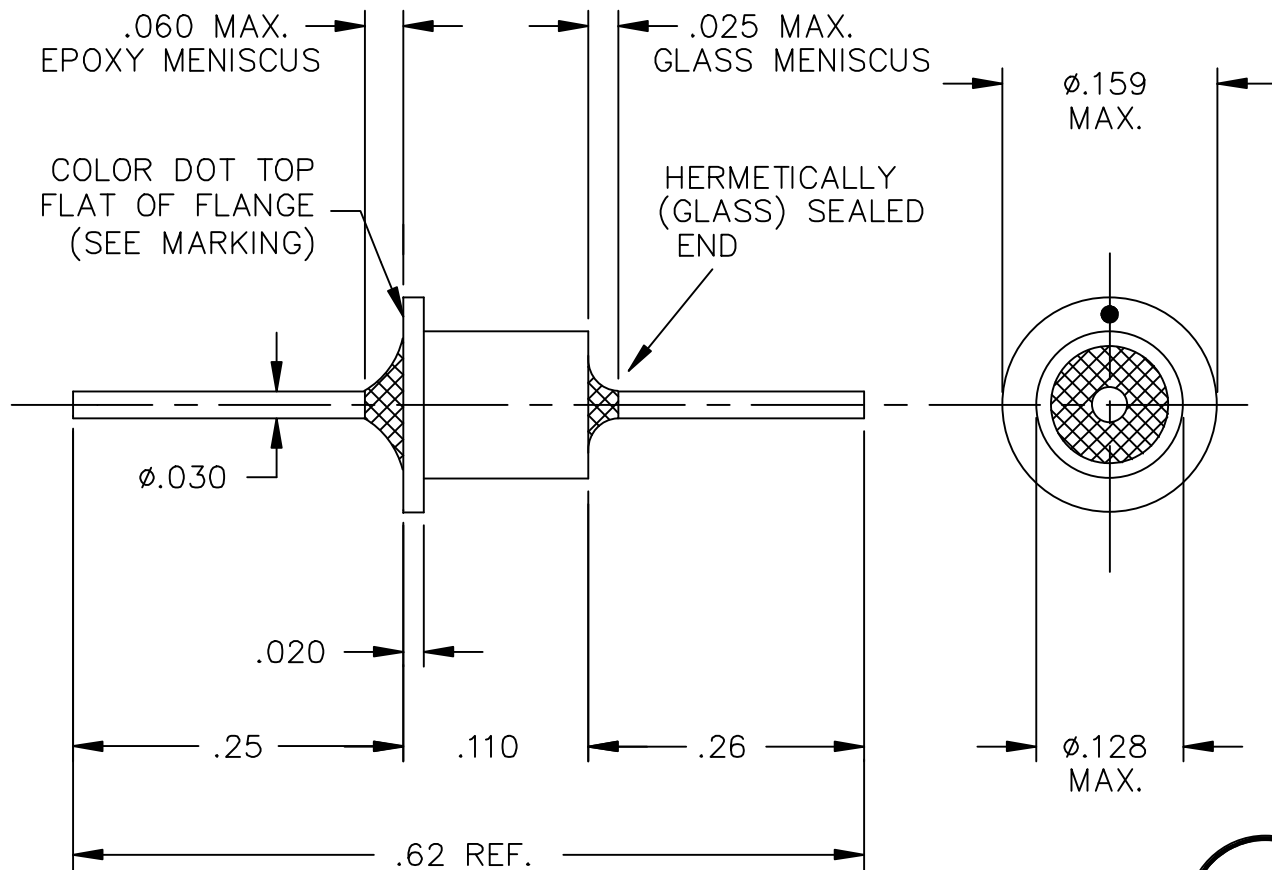
Contact us

Tel: +86-755-8981 8866 Fax: +86-755-8427 6832

Email & Skype: info@chipsmall.com Web: www.chipsmall.com

Address: A1208, Overseas Decoration Building, #122 Zhenhua RD., Futian, Shenzhen, China





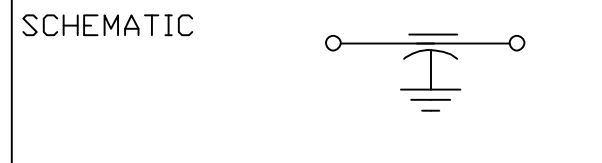
NOTES:

1. SUGGESTED MOUNTING HOLE = $\phi.132 \pm .002$
2. MAX. SOLDERING TEMP. : 260°C FOR 20 SEC. MAX.




LEAD FINISH: GOLD	
CASING FINISH: GOLD	
CAPACITANCE	2700pF
TEMP. RANGE	-55°C TO 125°C
CURRENT	5 AMP MAX.
WORKING VOLTAGE	125°C --- VAC MAX. 125°C 100 VDC MAX.
D.C. RESISTANCE	.01ohms MAX.
MIN. I.L. PER MIL-STD-220 AT 25°C NO LOAD	

FREQ. MHz	I.L. (db)
10	10
30	18
100	25
300	33
1 GHz	40
10 GHz	50



MARKING:
 PART: RED DOT
 BAG: SCI-9910-272
 DATE CODE
 QTY.

	3	2	1	0	REV. NO.	TOLERANCES UNLESS OTHERWISE SPECIFIED
	CN53938-ENG	CN 18926-CPD	CN 200034	CN 185472	CHANGE NOTICE	Fractions $\pm 1/64$
						Dec. $.xx \pm .03$
						Dec. $.xxx \pm .005$
						Angles $\pm 0^\circ 30'$
						CODE IDENT. NO. 0LSP2


 SPECTRUM CONTROL INC.

FAIRVIEW
 PENNSYLVANIA

Dwn. SLAGLE	Description
Date 4-20-10	FEEDTHRU FILTER
Engr	SCI 9910-272
Scale NONE	