



Chipsmall Limited consists of a professional team with an average of over 10 year of expertise in the distribution of electronic components. Based in Hongkong, we have already established firm and mutual-benefit business relationships with customers from,Europe,America and south Asia,supplying obsolete and hard-to-find components to meet their specific needs.

With the principle of “Quality Parts,Customers Priority,Honest Operation,and Considerate Service”,our business mainly focus on the distribution of electronic components. Line cards we deal with include Microchip,ALPS,ROHM,Xilinx,Pulse,ON,Everlight and Freescale. Main products comprise IC,Modules,Potentiometer,IC Socket,Relay,Connector.Our parts cover such applications as commercial,industrial, and automotives areas.

We are looking forward to setting up business relationship with you and hope to provide you with the best service and solution. Let us make a better world for our industry!



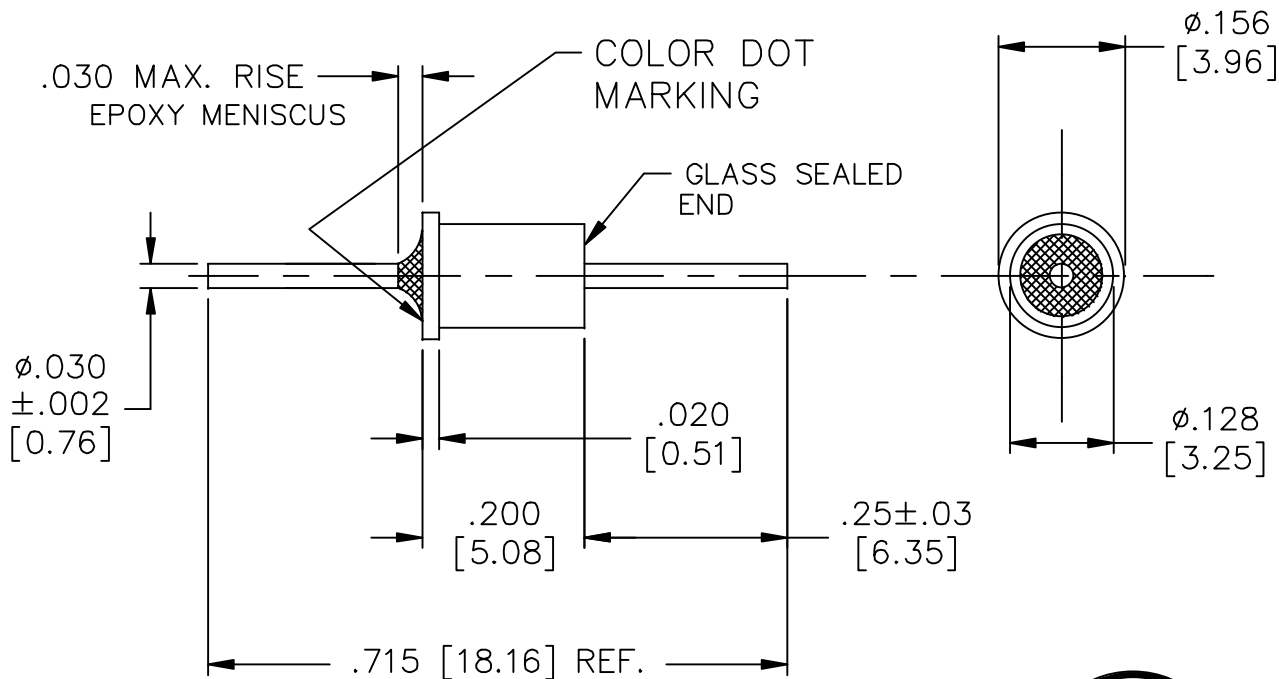
Contact us

Tel: +86-755-8981 8866 Fax: +86-755-8427 6832

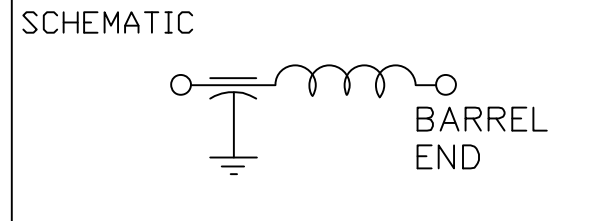
Email & Skype: info@chipsmall.com Web: www.chipsmall.com

Address: A1208, Overseas Decoration Building, #122 Zhenhua RD., Futian, Shenzhen, China



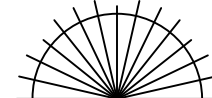


LEAD FINISH: GOLD PL.	
CASING FINISH: GOLD PL.	
CAPACITANCE	5000pF MIN.
TEMP. RANGE	-55°C TO 125°C
CURRENT	10 AMP MAX.
WORKING VOLTAGE	125°C -- VAC MAX. 125°C 200 VDC MAX.
D.C. RESISTANCE	.01ohms MAX.
MIN. I.L. PER MIL-STD-220 AT 25°C NO LOAD	
FREQ. MHz	I.L. (db)
1	8
10	17
100	35
1 GHz	47
10 GHz	55



NOTES:
1. SUGGESTED MOUNTING HOLE = $\phi.130$

MARKING:
PART: YELLOW COLOR DOT
BAG:
SCI-9980-502
DATE CODE
LOT NO.
QTY/BAG (200 MAX.)

CN 53069-ENG	00	REV. NO.	TOLERANCES UNLESS OTHERWISE SPECIFIED	 SPECTRUM CONTROL INC.	FAIRVIEW PENNSYLVANIA	
	CHANGE NOTICE	Fractions $\pm 1/64$	Dwn. KAUFFMAN		Description	
		Dec. .xx \pm	Date 2-22-10		FEEDTHRU FILTER	
		Dec. .xxx $\pm .005$	Engr. B. DEVINE		SCI-9980-502	
		Angles $\pm 0^{\circ} 30'$	Scale NONE			
		CODE IDENT. NO. DLSP2				