



Chipsmall Limited consists of a professional team with an average of over 10 year of expertise in the distribution of electronic components. Based in Hongkong, we have already established firm and mutual-benefit business relationships with customers from,Europe,America and south Asia,supplying obsolete and hard-to-find components to meet their specific needs.

With the principle of “Quality Parts,Customers Priority,Honest Operation,and Considerate Service”,our business mainly focus on the distribution of electronic components. Line cards we deal with include Microchip,ALPS,ROHM,Xilinx,Pulse,ON,Everlight and Freescale. Main products comprise IC,Modules,Potentiometer,IC Socket,Relay,Connector.Our parts cover such applications as commercial,industrial, and automotives areas.

We are looking forward to setting up business relationship with you and hope to provide you with the best service and solution. Let us make a better world for our industry!



Contact us

Tel: +86-755-8981 8866 Fax: +86-755-8427 6832

Email & Skype: info@chipsmall.com Web: www.chipsmall.com

Address: A1208, Overseas Decoration Building, #122 Zhenhua RD., Futian, Shenzhen, China





Infrared Light Emitting Diodes Top View Type

SCM-013RT

[Product description]

ROHM's opetcal sensors serve as eyes to monitor changes of any motions, and comply with customers' day-to-day diversifying requests.

Features

- Molded type with lenz
- Automatic mount and reflow

Product specifications

Absolute maximum ratings (Ta=25°C)

Rated parameters	Standard value	Conditions
Forward current I_F (mA)	30	
Reverse voltage V_R (V)	5	
Power dissipation P_D (mW)	57	
Peak forward current I_{FP} (A)	0.5	Duty1/10,kHz
Operating temperature T_{opr} (°C)	-30 to 85	
Storage temperature T_{stg} (°C)	-30 to 100	

Electro-optical characteristics (Ta=25°C)

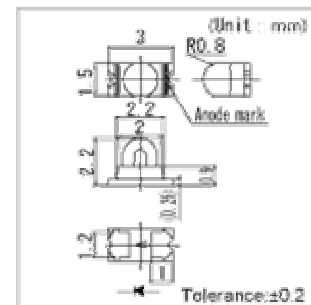
Rated parameters	Standard value	Conditions
Optical output P_O	-	
Emitting strength-Min. IE (mW/sr)	0.5	$I_F=20mA$
Emitting strength-Typ. IE (mW/sr)	2	$I_F=20mA$
Forward voltage V_F (V)	1.6	$I_F=20mA$
Reverse current I_R (μA)	10	$V_R=5V$
Peak light emitting wavelength λ_P (nm)	850	$I_F=20mA$
Spectral line half width $\Delta\lambda$	-	
Half viewing angle $\theta_{1/2}$	-	
Response time tr - tf	-	
Cut-off frequency F_C	-	

Outline



Surface Mount Type
(Topview)

Dimensions



*The contents described here are just outline for introduction.

Please obtain the specification sheets from us for thorough check before use.

Copyright © 1997-2011 ROHM CO.,LTD.