



Chipsmall Limited consists of a professional team with an average of over 10 year of expertise in the distribution of electronic components. Based in Hongkong, we have already established firm and mutual-benefit business relationships with customers from,Europe,America and south Asia,supplying obsolete and hard-to-find components to meet their specific needs.

With the principle of “Quality Parts,Customers Priority,Honest Operation,and Considerate Service”,our business mainly focus on the distribution of electronic components. Line cards we deal with include Microchip,ALPS,ROHM,Xilinx,Pulse,ON,Everlight and Freescale. Main products comprise IC,Modules,Potentiometer,IC Socket,Relay,Connector.Our parts cover such applications as commercial,industrial, and automotives areas.

We are looking forward to setting up business relationship with you and hope to provide you with the best service and solution. Let us make a better world for our industry!



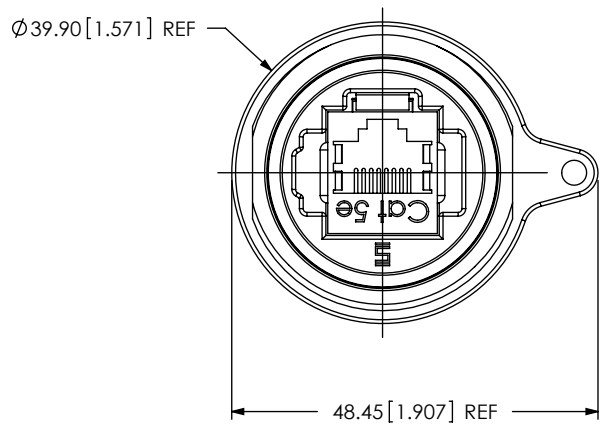
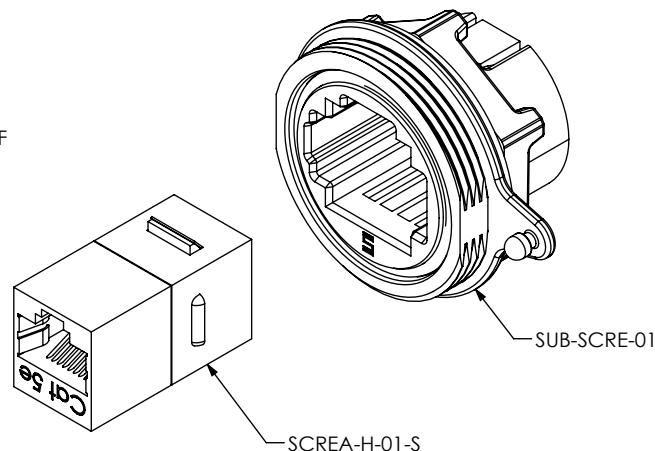
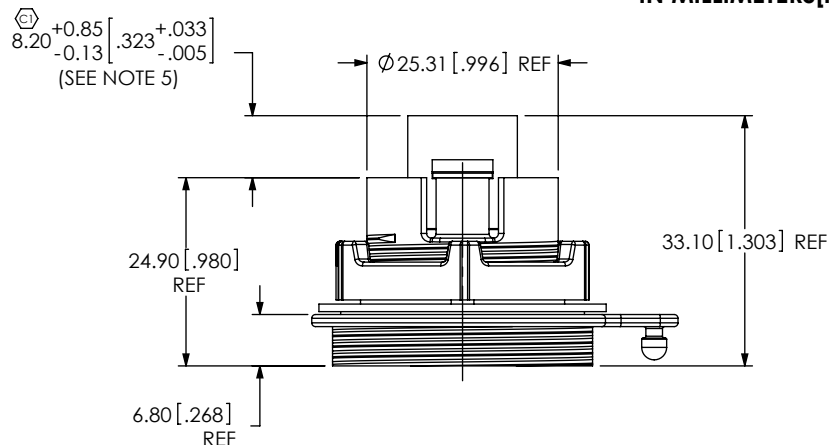
## Contact us

Tel: +86-755-8981 8866 Fax: +86-755-8427 6832

Email & Skype: info@chipsmall.com Web: www.chipsmall.com

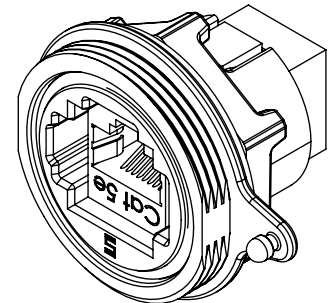
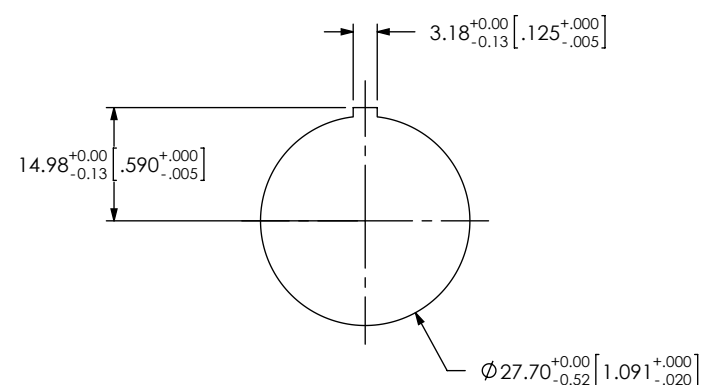
Address: A1208, Overseas Decoration Building, #122 Zhenhua RD., Futian, Shenzhen, China





DO NOT  
SCALE FROM  
THIS PRINT

RECOMMENDED PANEL HOLE  
(SEE NOTE 3)



- NOTES:
1. Ⓢ REPRESENTS A CRITICAL DIMENSION.
  2. ASSEMBLY TO MEET UL 94V-O.
  3. PANEL THICKNESS: 0.8[.03] - 5.2[.205].
  4. TORQUE SPECIFICATION FOR NUT ON SCRE-01 IS 12 IN-LB.
  5. SCREA MUST BE FULLY INSERTED INTO SUB-SCRE BEFORE MEASURING.
  6. PARTS TO BE PACKAGED IN TRAYS.

UNLESS OTHERWISE SPECIFIED,  
DIMENSIONS ARE IN MILLIMETERS.  
TOLERANCES ARE:  
DECIMALS ANGLES  
.X: ±0.3 [.01] 2°  
.XX: ±0.13 [.005]  
.XXX: ±0.051 [.0020]

PROPRIETARY NOTE  
THIS DOCUMENT CONTAINS INFORMATION  
CONFIDENTIAL AND PROPRIETARY TO  
SAMTEC, INC. AND SHALL NOT BE REPRODUCED  
OR TRANSFERRED TO OTHER DOCUMENTS OR  
DISCLOSED TO OTHERS OR USED FOR ANY  
PURPOSE OTHER THAN THAT WHICH IT WAS  
OBTAINED WITHOUT THE EXPRESSED WRITTEN  
CONSENT OF SAMTEC, INC.



520 PARK EAST BLVD, NEW ALBANY, IN 47150  
PHONE: 812-944-6733 FAX: 812-948-5047  
e-Mail: info@SAMTEC.com code: 55322

MATERIAL: DO NOT SCALE DRAWING SHEET SCALE: 1:1  
OR-17-01: SILICONE  
PBM-17-02: PA66  
SPG-17-01: SILICONE  
SPN-17-01: PA66  
SCREA-H-01-S INSULATOR: PBT  
SCREA-H-01-S CONTACTS: PHOS BRONZE  
SCREA-H-01-S SHIELDS: COPPER ALLOY  
F:\DWG\MISC\MKTG\SCRE-01-MKT.SLDDRW

DESCRIPTION:  
ETHERNET PANEL MOUNT ASSEMBLY  
DWG. NO. SCRE-01  
BY: CHAD F 12/13/2004 SHEET 1 OF 1